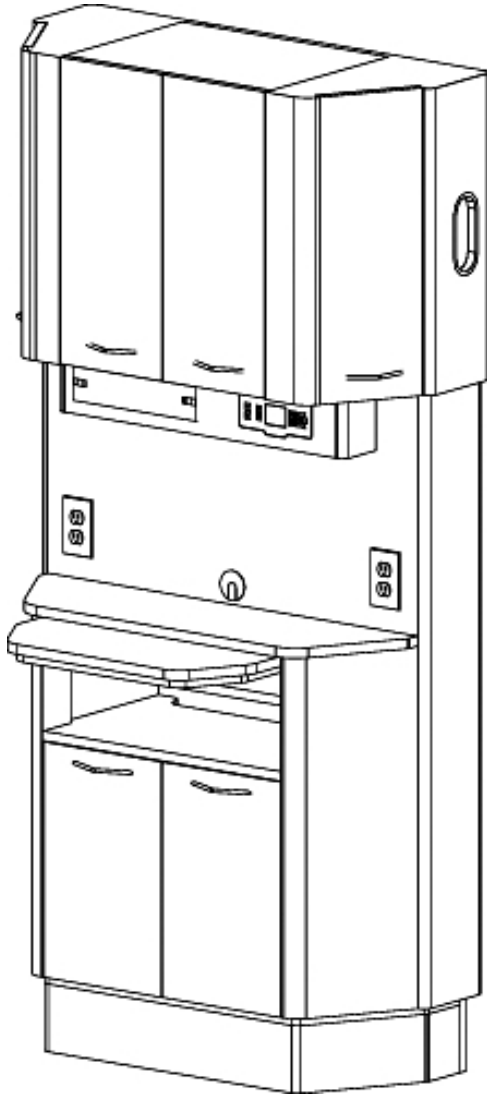


Installation Instructions & Owners Manual

**E-Series Dental Cabinetry
Models: E-5 / E-5L**



E-5



E-5L

Consumer: Please retain these instructions for future use.

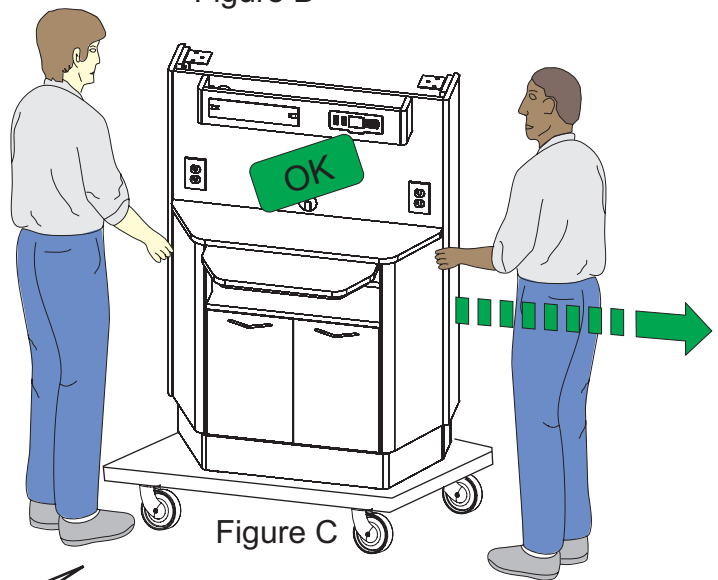
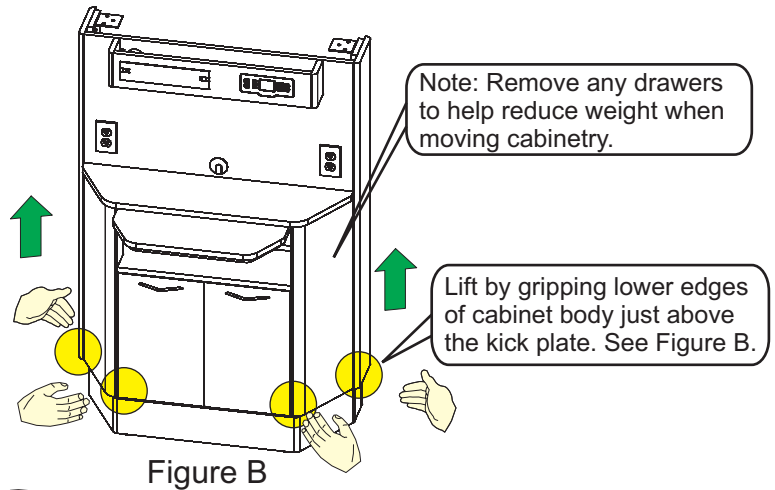
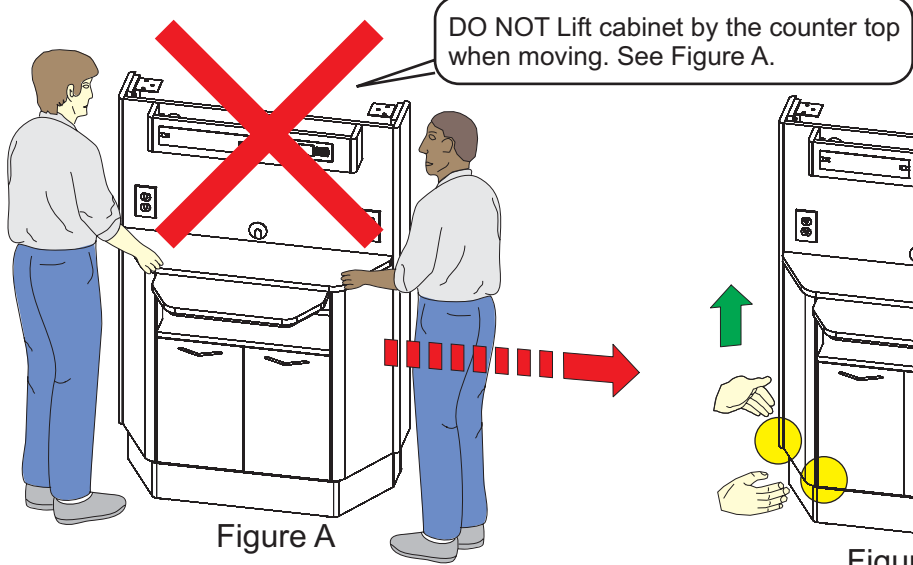
Version: 04012013



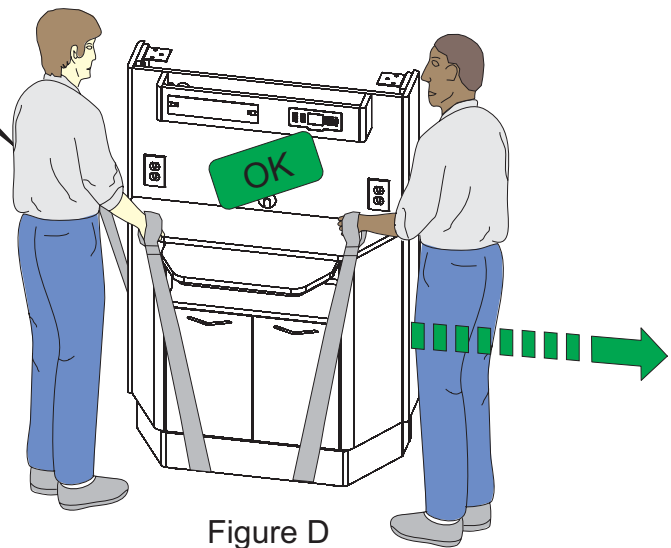
1631 Dr. Martin Luther King Drive
St. Louis, MO 63106
(314) 231-7383 (888) 833-3682
Fax (314) 621-2296
www.belmontequip.com

General Cabinet Handling Information

Models: E-5 / E-6

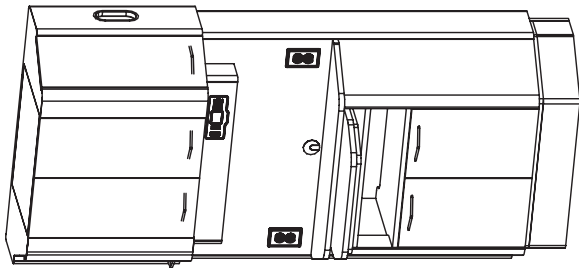


Move by using some type of roller dolly, slings or a comparable moving aid. See Figure C and D.

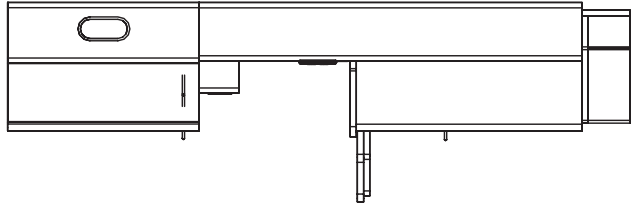


Detail Drawings

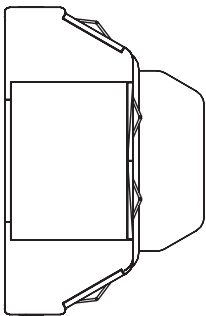
Model: E-5



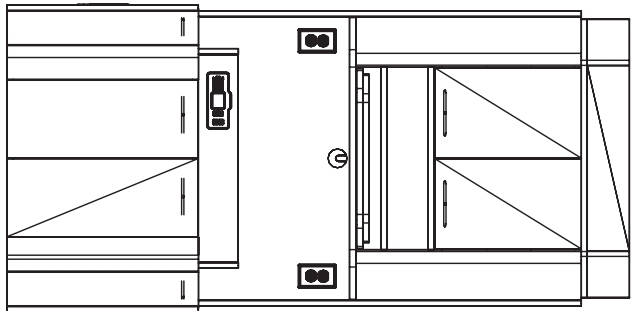
ISOMETRIC VIEW



RIGHT SIDE VIEW



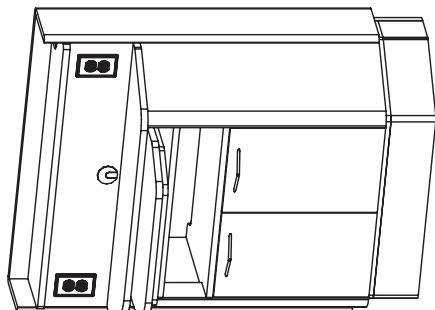
TOP VIEW



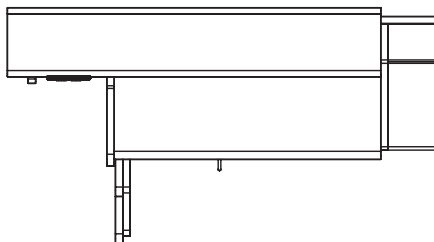
FRONT VIEW

Detail Drawings

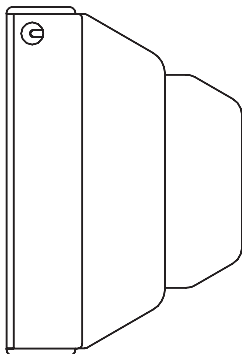
Model: E-5L



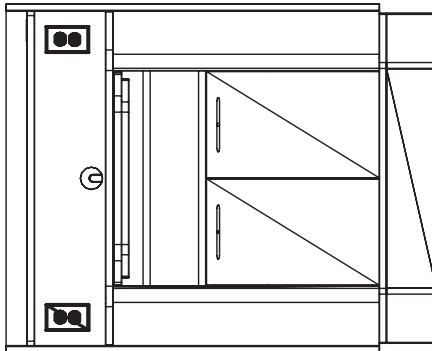
ISOMETRIC VIEW



RIGHT SIDE VIEW



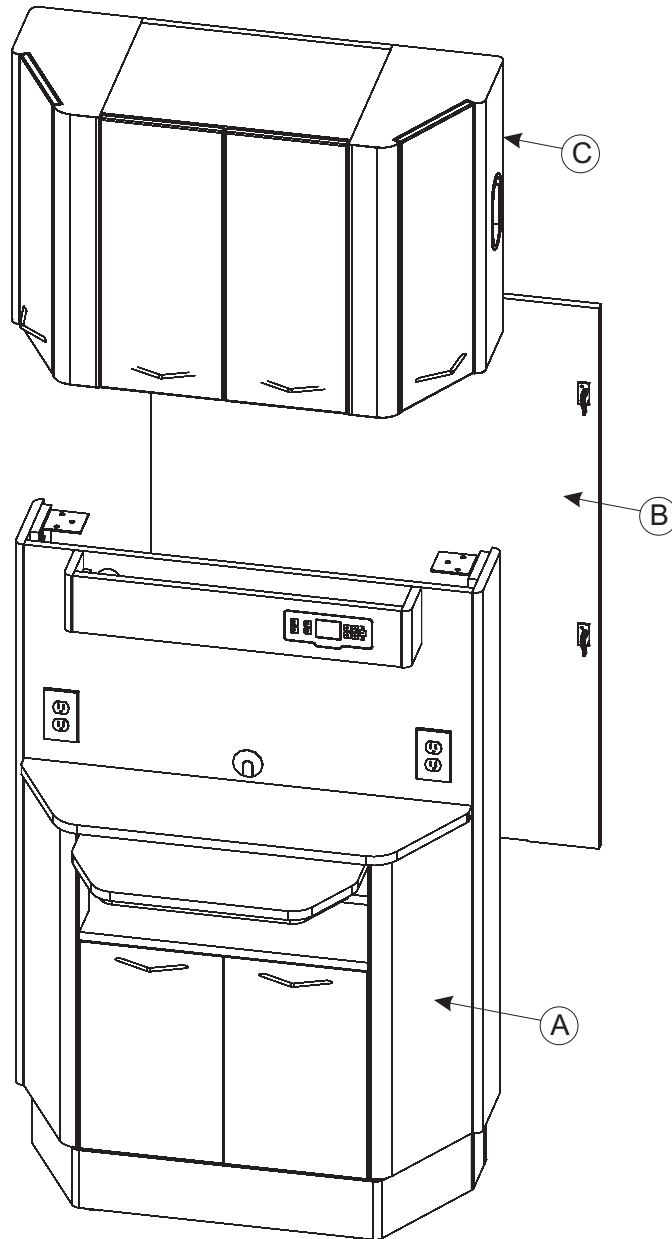
TOP VIEW



FRONT VIEW

Assembly Instructions

Model: E-5



Model: E-5

Component Identification

- (A) Lower Cabinet
- (B) Back Panel
- (C) Upper Storage

Note: Back Panel (Item B) attached to Cabinet Base (Item A) during shipping.

Assembly Instructions

Model: E-5

Step 1

Check the incoming power location to see if it conforms to the specification on the floor template drawing. Locate and drill the holes in the floor for securing the base to the floor. If a dental delivery system is to be installed on this cabinet, confirm that the appropriate air, water and vacuum plumbing stubs are in place.

Step 2

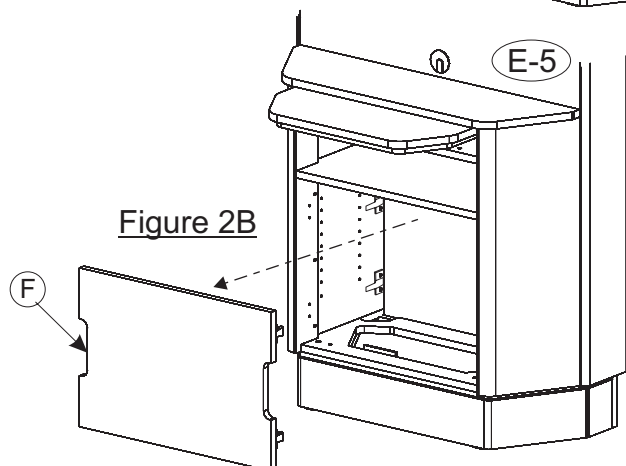
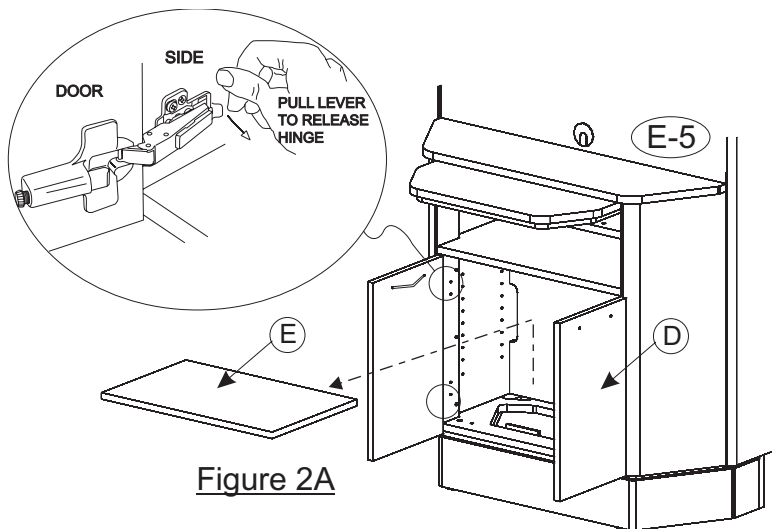
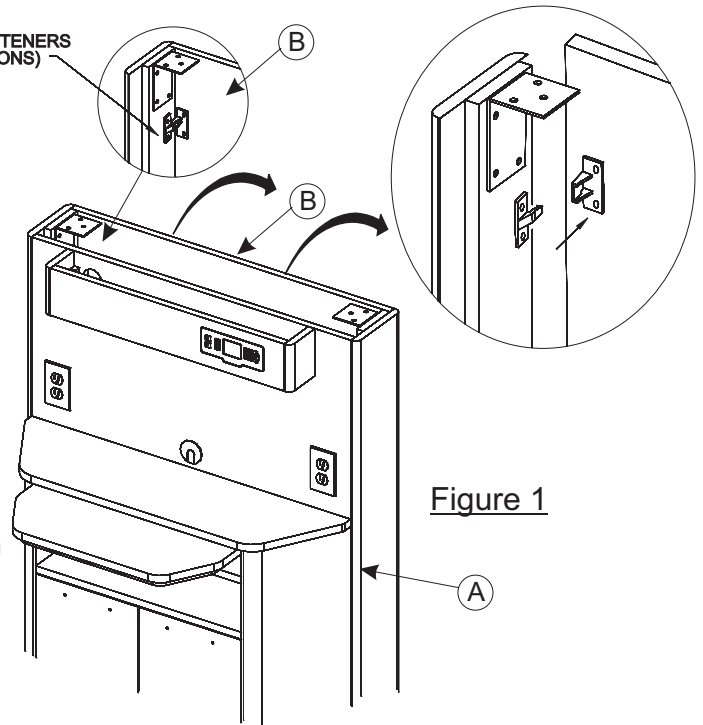
Remove the Back Panel (B) from the Lower Cabinet sides (A) (see Figure 1) by pulling the top of the Back Panel from the rear of the cabinet to release the upper Keku Latches and continuing pulling back to release the lower Keku Latches (4 locations).

Step 3

For E-5 models: Remove the two doors (D) (see Figure 2A). Remount door handles from back side to front side. Remove the bottom cover (E) (see Figure 2A).

For E-5 models: Remove Inner Back Panel (F) by pulling back on the panel until the Keku Latches release (see Figure 2B).

KEKU FASTENERS
(4 LOCATIONS)



Assembly Instructions

Model: E-5

Step 4 **IMPORTANT**

Adjust the (4) Leveling Feet (H) to the desired height using a 5mm allen wrench (see Figure 3). Each Leveling Foot has access to the allen head through a hole in the bottom cabinet.

You can mount the cabinet to the floor at this point by mounting the (3) Floor Mounting Brackets (I) to the floor using proper fasteners for the floor being mounted to.

Both leveling the cabinet and mounting to the floor may be done at a later time but be sure to do so before access to the feet/floor brackets is available (prior to reinstalling covers and panels).

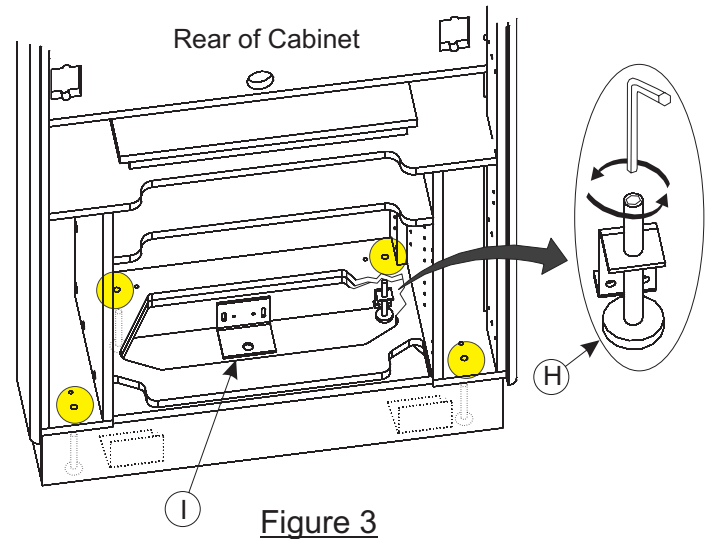


Figure 3

Step 5

Place Upper Storage (C) onto metal brackets located at the top of the Lower Cabinet sides. Line up the holes with in the metal brackets with the holes in the bottom of the Upper Storage (see Figure 4).

Insert a 1/4-20 hex bolt (J) with a Lock Washer (K) and Flat Washer (L) into each hole and wrench down about half way on each bolt. Once each bolt is properly threaded into the bracket, tighten all (6) bolts. (Caution: Do Not Overtighten)

Step 6

Make electrical connections per the E-5 Electrical Schematic & Instruction sheets.

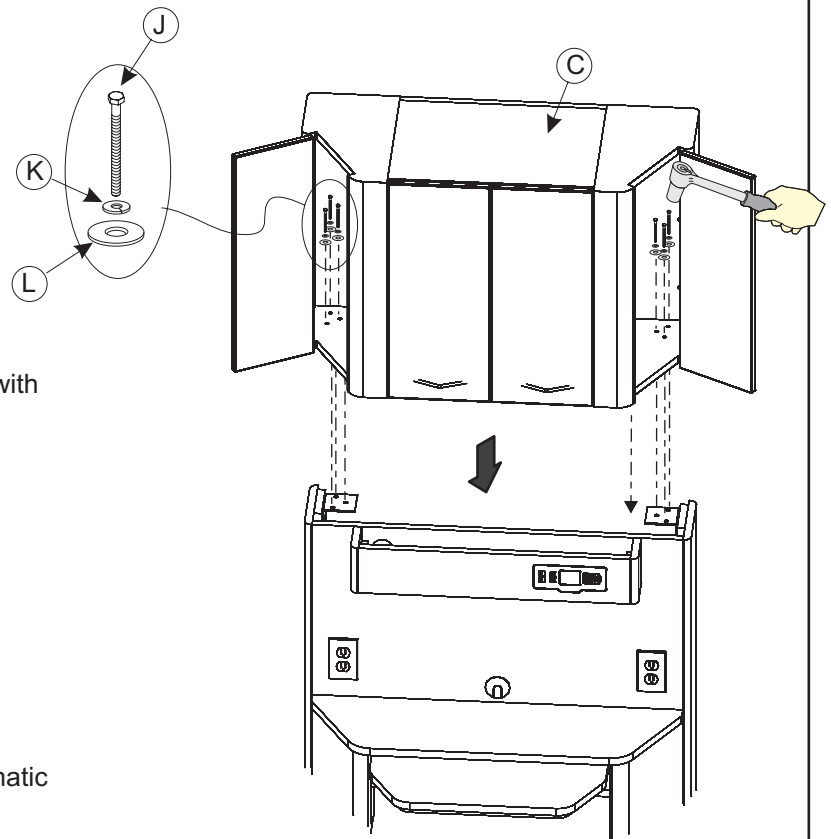


Figure 4

Assembly Instructions

Model: E-5

Step 7

For E-5 Models: If equipped with a BDS-2561 (see Figure 5A). Refer to instructions that came with the unit for further setup and connections.

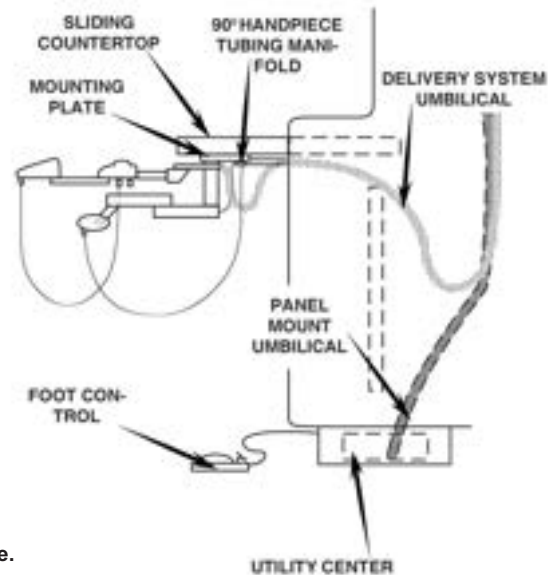
For E-5 Models: If equipped with a BDS-2563 (see Figure 5B). Refer to instructions that came with the unit for further setup and connections.

Install Arm and Holder System

- 1 - Locate mounting plate hole pattern under the sliding counter top and fasten the arm assembly to the underside using the 10-32 screws provided. Position the 90° handpiece tubing manifold towards back of the cabinet.
- 2 - Install the self-contained water system and route its umbilical to the utility center. Connect the water system tubing to their appropriate connections.
- 3 - Connect the delivery system umbilical tubing to the appropriate barbs on the panel mount unit.
- 4 - Connect the panel mount umbilical tubing to the appropriate barbs on the floor utility.
- 5 - Connect the foot control tubing to the appropriate barbs in the utility center.
- 6 - Slide the panel mount unit into the opening in the cabinet. The tubing will act as a weight giving you time to check for any air or water leaks.
- 7 - Align the screw holes on the faceplate with the four pilot holes on the cabinet surface and secure the unit with the four #6 stainless phillips wood screws provided.
*Alternative stud mounting faceplate:
5/32" dia. x 4 hole thru the four pilot holes on the cabinet surface and secure the face plate with the #6-32 x 4 nuts and lock washers.

For Water Bottle mounting information see separate "Water Bottle Mounting" page.

Figure 5A
BDS-2561

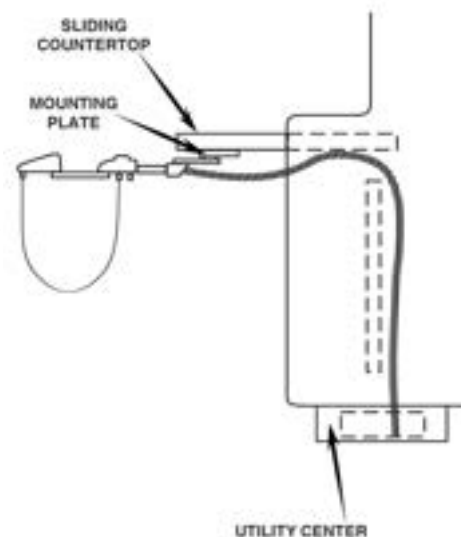


Install Arm and Holder System

- 1 - Locate mounting plate hole pattern under the sliding counter top and fasten the arm assembly to the underside using the 10-32 screws.
- 2 - Install the self-contained water system and route its umbilical to the utility center. Connect the water system tubing to their appropriate connections.
- 3 - Make all appropriate tubing connections for the delivery systems.

For Water Bottle mounting information see separate "Water Bottle Mounting" page.

Figure 5B
BDS-2563



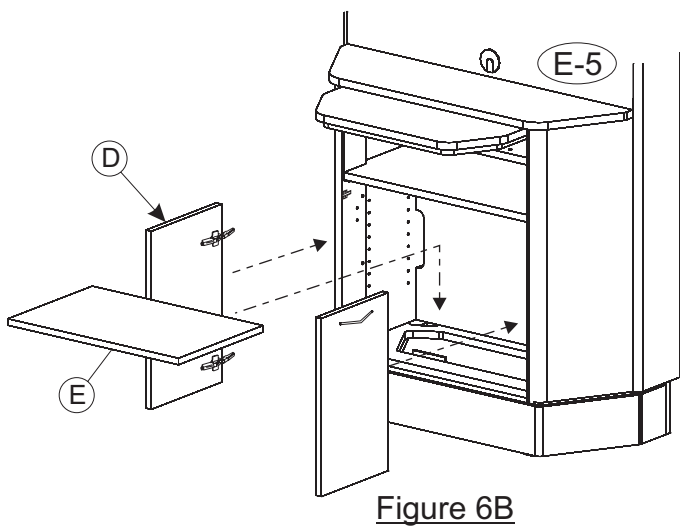
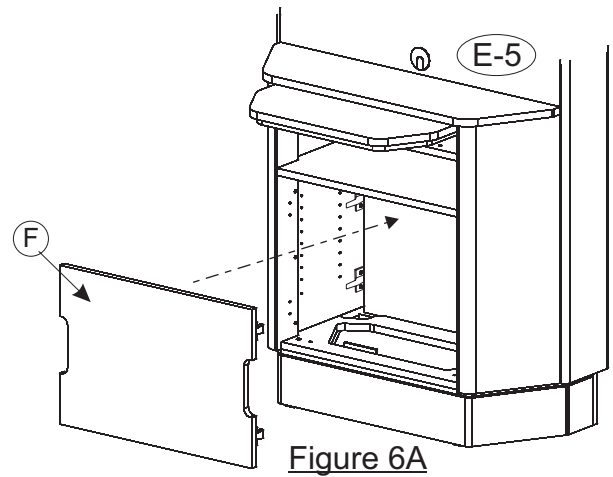
Assembly Instructions

Model: E-5

Step 8

For E-5 models: Replace Inner Back Panel (F) by lining up the Keku Latches on the Inner Back panel with latches inside the cabinet and snapping them into place (see Figure 6A).

For E-5 models: Replace the bottom cover (E) (see Figure 6B).
Replace the two doors (D) (see Figure 6B).



Assembly Instructions

Model: E-5

Step 9

Replace the Back Panel (B) by seating the bottom edge into the steel angle channel at the bottom of the rear opening (see Figure 7). Tilt the top edge inward until all (4) Keku Latches are fastened. You may need to use a rubber mallet to tap the panel into position.

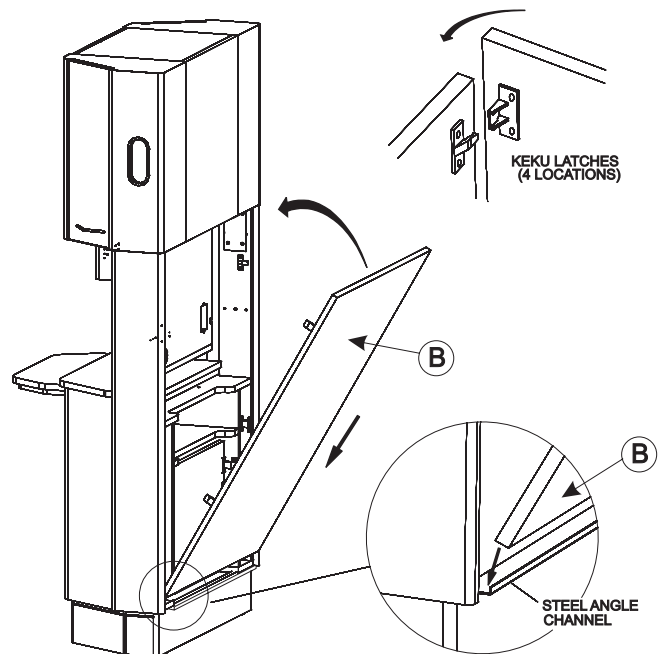


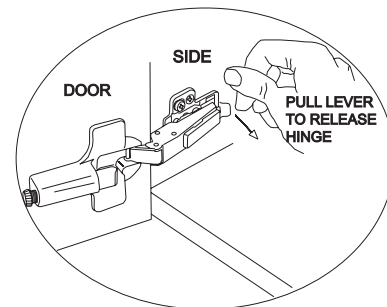
Figure 7

Step 10

Remove Upper Doors (M) (to install Glass Shelves) by opening Upper Doors and pulling up on the tab at the end of the hinge base plate mounted on the inside of the storage area (see Figure 8)

Insert Glass Shelf Support Pins (N) (4 for each shelf) into holes on the inside end panels and then set Glass Shelves (O) onto the support pins (see Figure 8).

Replace the doors by lining up the hinge and hinge plate then snap the hinge into place. See separate instruction page regarding adjusting the hinges if the doors are not properly aligned.



Installation Complete

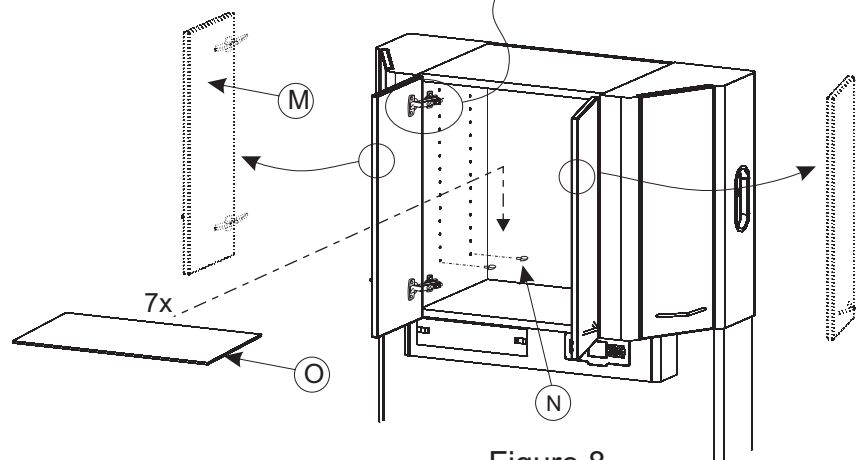
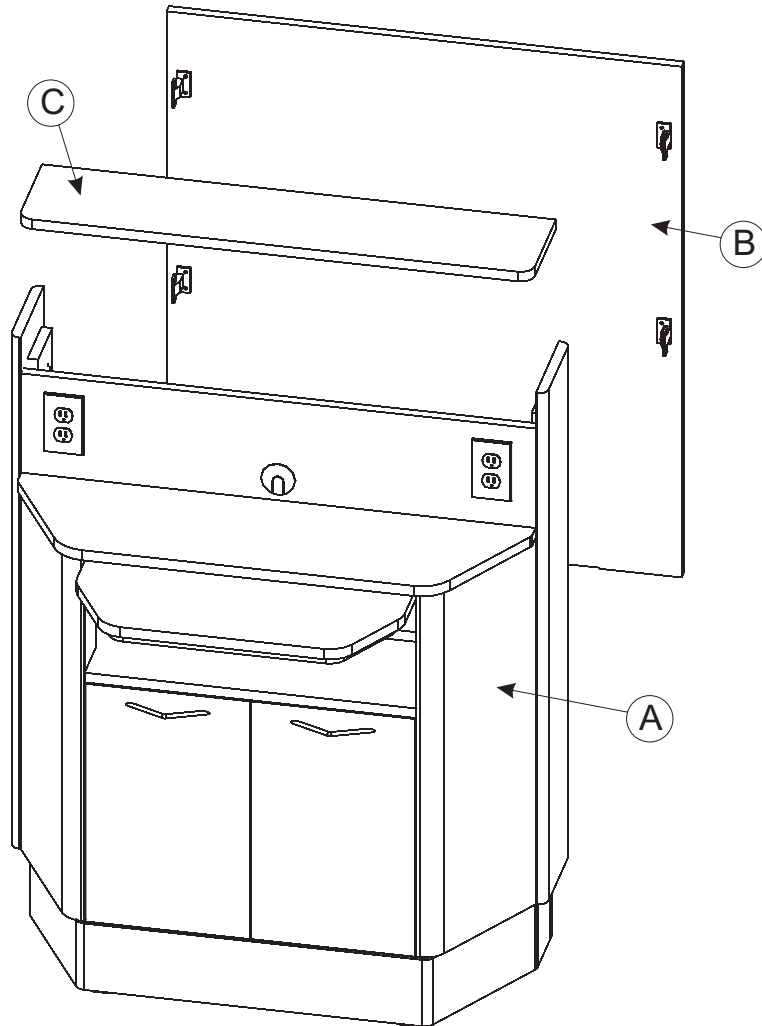


Figure 8

Assembly Instructions

Model: E-5L



Model: E-5L

Component Identification

- (A) Cabinet
- (B) Back Panel
- (C) Removable Shelf

Note: Back Panel (Item B) attached to Cabinet Base (Item A) during shipping.

Assembly Instructions

Model: E-5L

Step 1

Check the incoming power location to see if it conforms to the specification on the floor template drawing. Locate and drill the holes in the floor for securing the base to the floor. If a dental delivery system is to be installed on this cabinet, confirm that the appropriate air, water and vacuum plumbing stubs are in place.

Step 2

Remove the Removable Shelf (C). Remove the Back Panel (B) from the Cabinet sides (A) (see Figure 1) by pulling the top of the Back Panel from the rear of the cabinet to release the upper Keku Latches and continuing pulling back to release the lower Keku Latches (4 locations).

Step 3

For E-5L models: Remove the two doors (D) (see Figure 2A). Remount door handles from back side to front side. Remove the bottom cover (E) (see Figure 2A).

For E-5L models: Remove Inner Back Panel (F) by pulling back on the panel until the Keku Latches release (see Figure 2B).

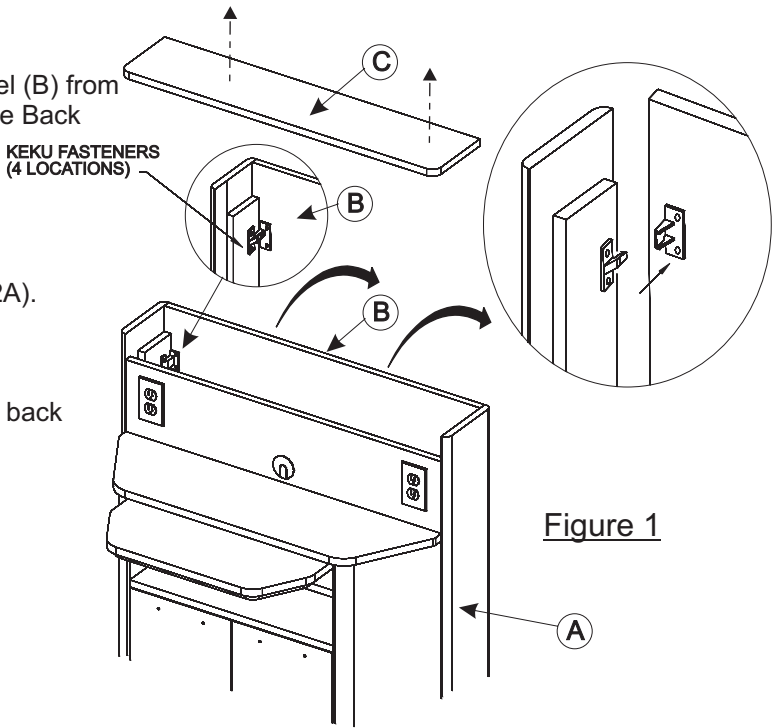


Figure 1

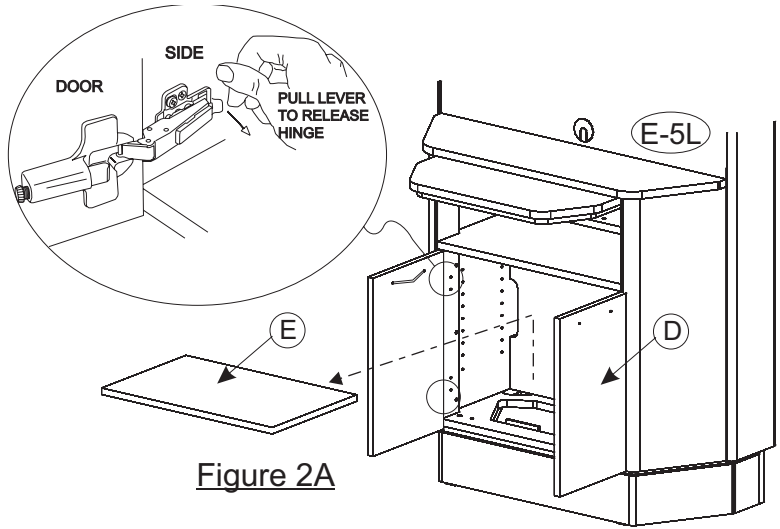


Figure 2A

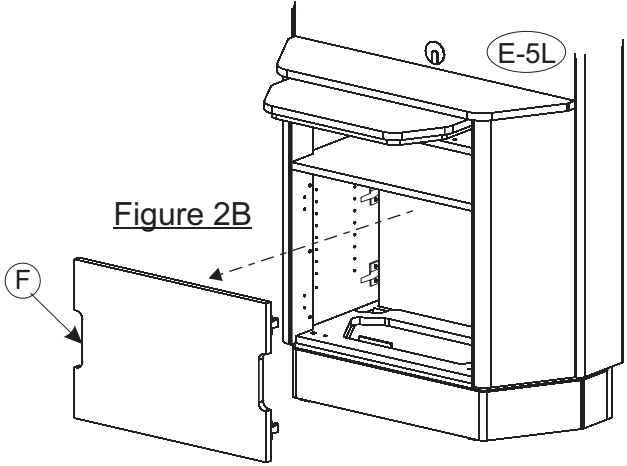


Figure 2B

Assembly Instructions

Model: E-5L

Step 4 **IMPORTANT**

Adjust the (4) Leveling Feet (H) to the desired height using a 5mm allen wrench (see Figure 3). Each Leveling Foot has access to the allen head through a hole in the bottom cabinet.

You can mount the cabinet to the floor at this point by mounting the (3) Floor Mounting Brackets (I) to the floor using proper fasteners for the floor being mounted to.

Both leveling the cabinet and mounting to the floor may be done at a later time but be sure to do so before access to the feet/floor brackets is available (prior to reinstalling covers and panels).

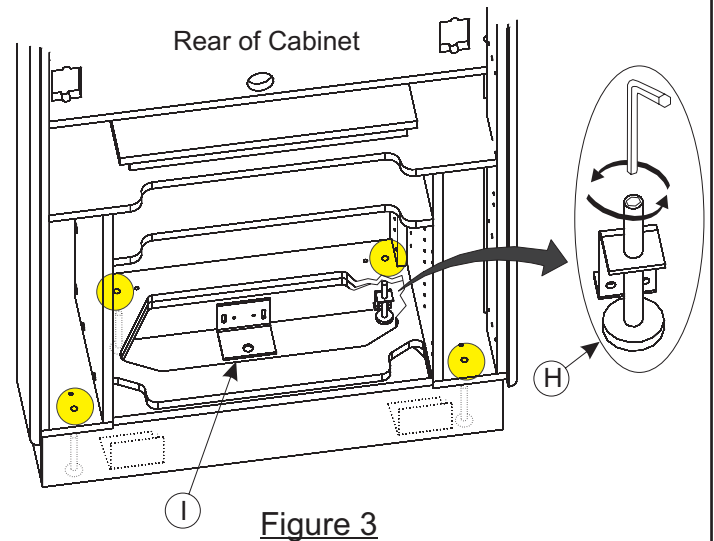


Figure 3

Step 5

Make electrical connections per the E-5 Electrical Schematic & Instruction sheets.

Assembly Instructions

Model: E-5L

Step 6

For E-5L Models: If equipped with a BDS-2561 (see Figure 4B). Refer to instructions that came with the unit for further setup and connections.

For E-5L Models: If equipped with a BDS-2563 (see Figure 4C). Refer to instructions that came with the unit for further setup and connections.

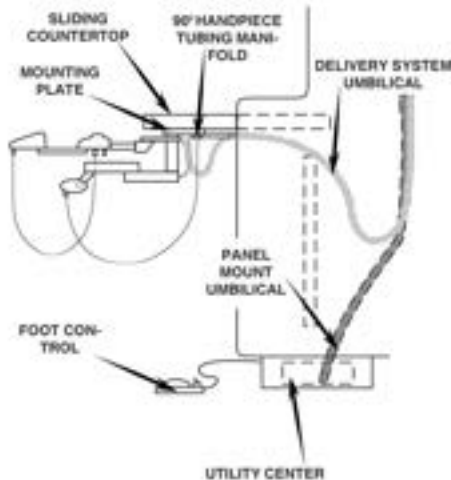
Figure 4B

INSTALL ARM AND HOLDER SYSTEM

1. Locate mounting plate hole pattern under the sliding countertop and fasten the arm assembly to the underside using the 10-32 screws provided. Position the 90° handpiece tubing manifold towards back of the cabinet.
2. Connect the delivery system umbilical tubing to the appropriate barbs on the panel mount unit.
3. Connect the panel mount umbilical tubings to the appropriate barbs on the floor utility.
4. Connect the foot control tubing to the appropriate barbs in the utility center.
5. Slide the panel mount unit into the opening in the cabinet. The tubing will act as a weight giving you time to check for any air or water leak.
6. Align the screw holes on the faceplate with the two pilot holes on the cabinet surface and secure the unit with two of the four #6 white head phillips wood screws provided.
7. Drill pilot holes for the other two screws. Insert them into the cabinet surface and tighten.

*Alternative stud mounting faceplate:
5/32" dia. x 4 hole thru the four pilot holes on the cabinet surface and secure the face plate with the #6-32 x 4 nuts and lock washers.

For Water Bottle mounting information see separate "Water Bottle Mounting" page.

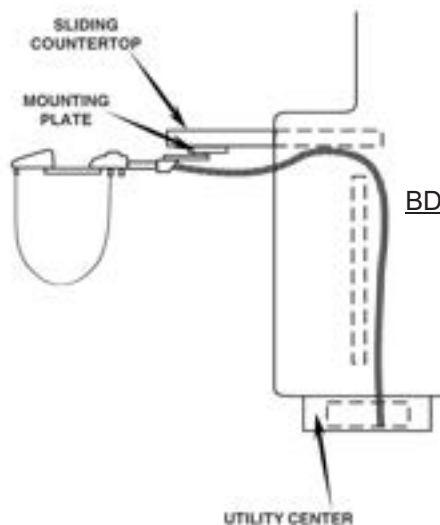


BDS-2561

Figure 4C

INSTALL ARM AND HOLDER SYSTEM

1. Locate mounting plate hole pattern under the sliding countertop and fasten the arm assembly to the underside using the 10-32 screws provided. Route the umbilical to the utility center.
2. Install the self-contained water system and route its umbilical to the utility center. Connect the water system tubings to their appropriate connections.
3. Make all appropriate tubing connections for the delivery systems.



BDS-2563

For Water Bottle mounting information see separate "Water Bottle Mounting" page.

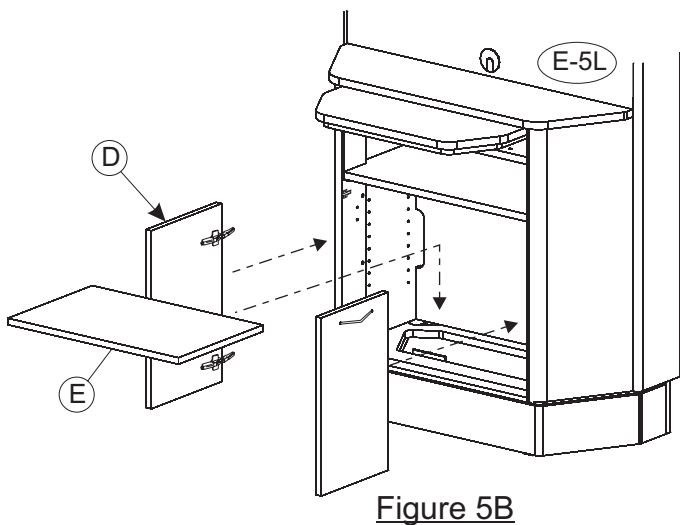
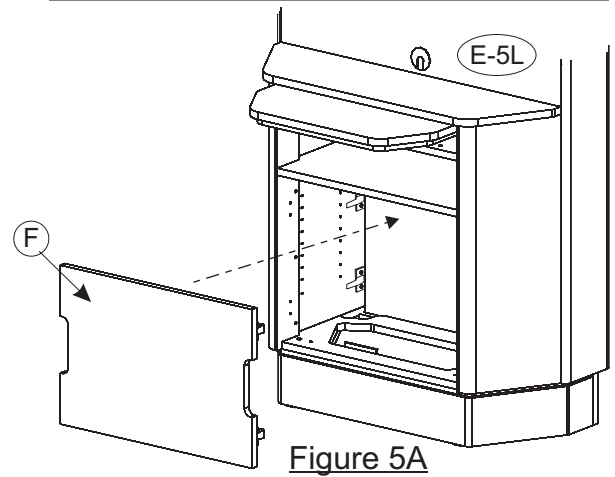
Assembly Instructions

Model: E-5L

Step 7

For E-5L models: Replace Inner Back Panel (F) by lining up the Keku Latches on the Inner Back panel with latches inside the cabinet and snapping them into place (see Figure 5A).

For E-5L models: Replace the bottom cover (E) (see Figure 5B).
Replace the two doors (D) (see Figure 5B).

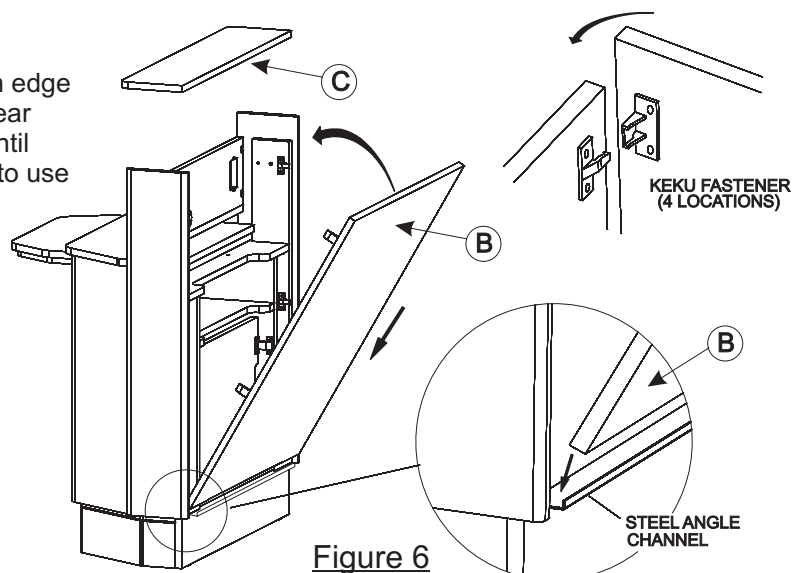


Step 8

Replace the Back Panel (B) by seating the bottom edge into the steel angle channel at the bottom of the rear opening (see Figure 6). Tilt the top edge inward until all (4) Keku Latches are fastened. You may need to use a rubber mallet to tap the panel into position.

Replace removable shelf (C)

Installation Complete



Water Bottle Mounting

BDS-2561 / BDS-2563

Model: E-5 & E-5L

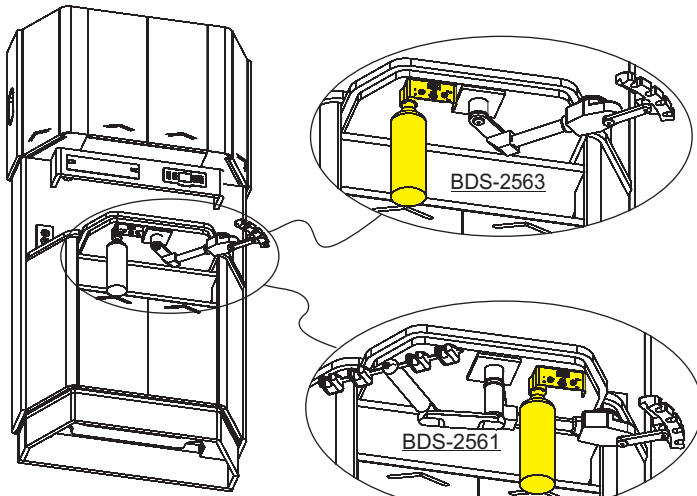


Figure 1

Side Mount

See Figure 2

- Water bottle to be mounted to either side of the cabinetry.
- Note: This alternative requires the side mounting bracket.
- Drill 3/4" dia. hole thru the side of the cabinet directly below the bottom rear of the bracket. Attach with (2) #8 x 1-1/4" wood screws.

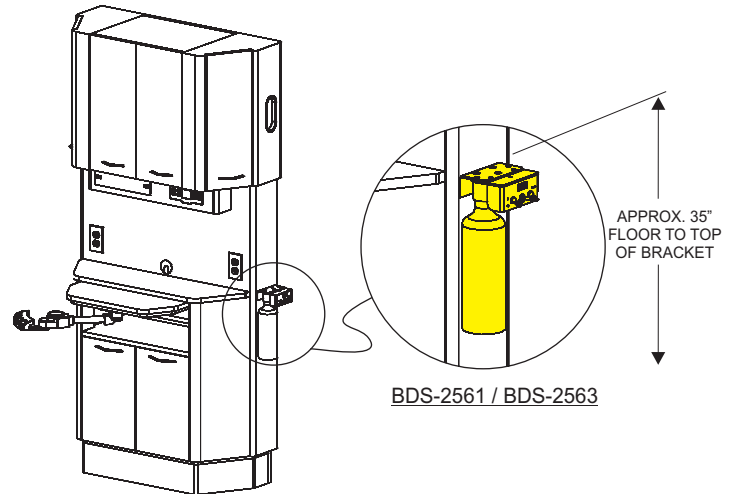


Figure 2

Cabinet Interior Mount

See Figure 3

- Water bottle may be mounted to:
 - A - Interior face of left/right front door
 - B - Left/right interior side panels
 - C - Sub top
- Note: A & B alternatives require the side mounting bracket.
- Note: A, B & C alternatives require the adjustable shelf to be removed.
- Verify proper clearance/fit when closing door prior to securing with screws. Attach with (2) #8 x 3/4" wood screws.

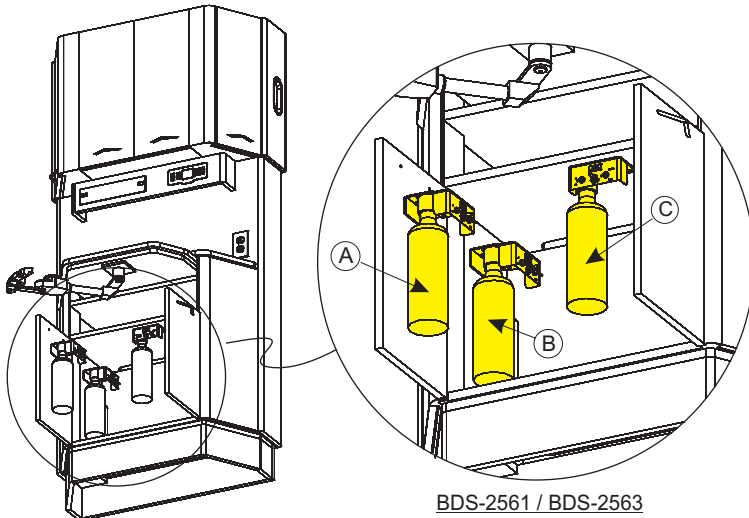


Figure 3

Upper Storage Mount

See Figure 4

- Water bottle to be mounted inside the upper left or right storage door.
- Note: This alternative requires the side mounting bracket.
- Drill 3/4" dia. hole thru bottom of the left or right storage area as indicated.
- Attach with (2) #8 x 3/4" wood screws.

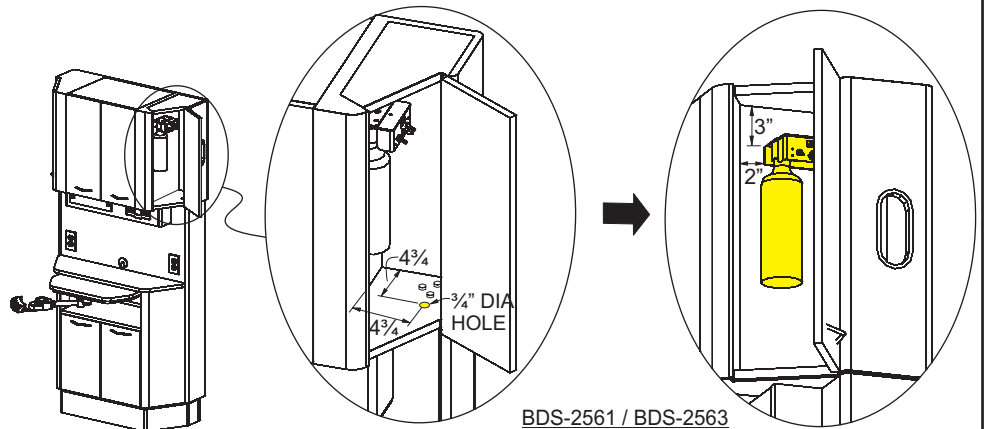
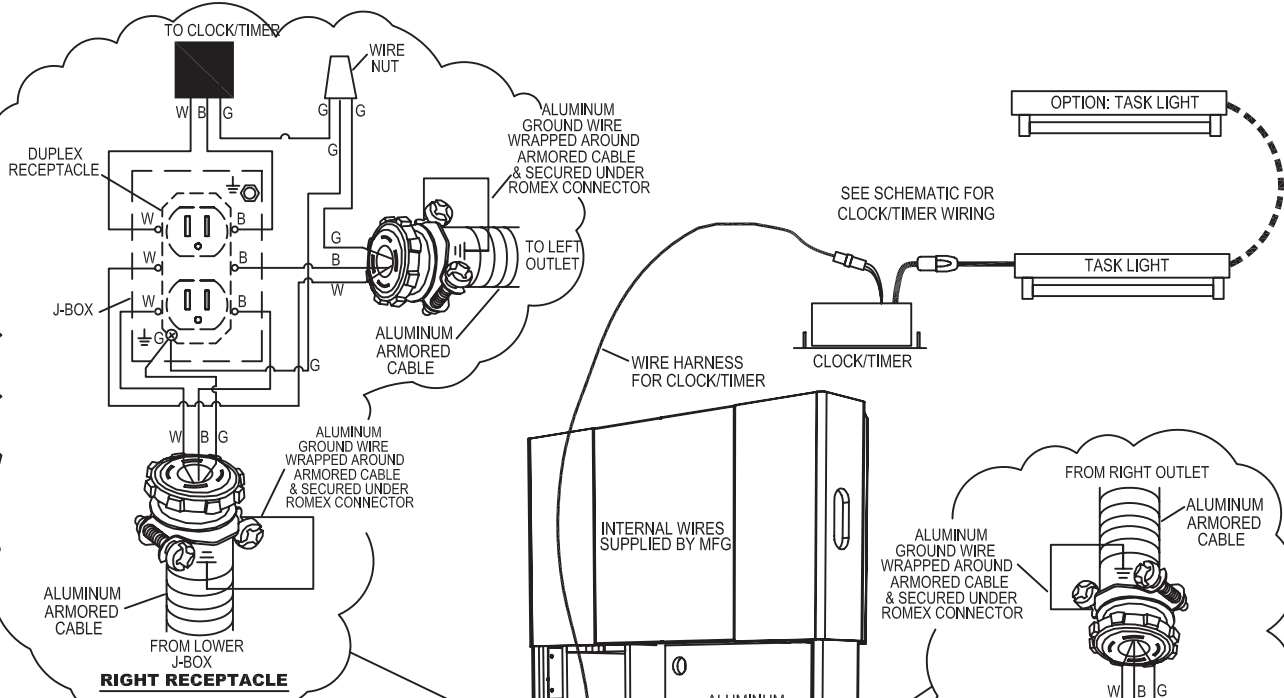
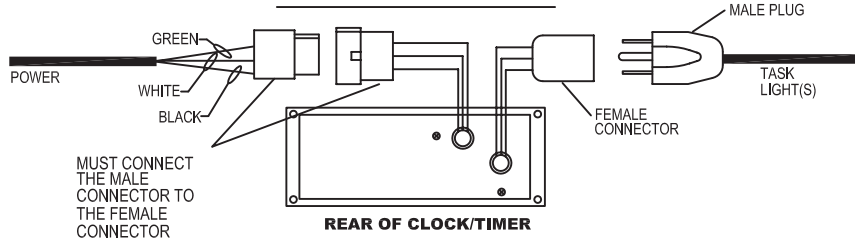


Figure 4

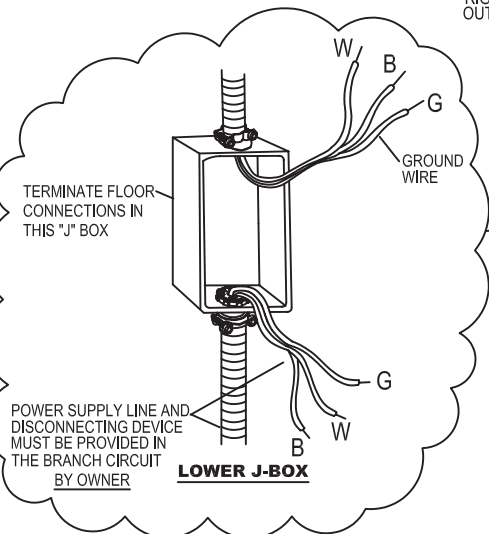
Electrical Schematic

Model: E-5 / E-5L

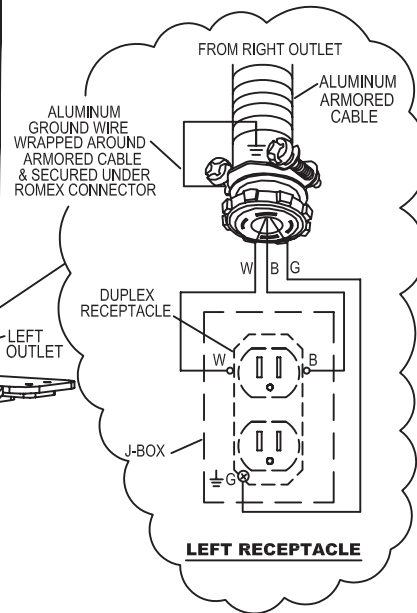
WIRING SCHEMATIC



RIGHT RECEPTACLE



REAR OF CABINET



Clock / Timer Operation

Model: E-5/E-6/D-66/D-5

Clock / Timer Operation

The top display is the Time-of-Day clock. The bottom display is the TIMER.

Normal operation:

The ON/OFF buttons are used to power the relay output for x-ray viewer and task light.

Press the SELECT button to select between TIMER1 and TIMER2.

Press the START button to start the time countdown.

At the end of countdown, the peep will sound for 5 seconds. The display will remain at 0:00 until the RESET button is pressed. Then, the TIME display is reset to the saved time.

While the timer is counting down, the display can be paused by pressing the RESET button once, then reset by pressing the RESET button again.

Setup:

When setting the Time-of-Day, the SELECT button is used to toggle between the HOURS or MINUTES digits of the TOD display. When setting the TIMER, the SELECT button is used to toggle between the MINUTES or SECONDS digits of the TIMER display.

To set the Time-of-Day clock display:

Press and hold the CLOCK button for 3 seconds. The peep will beep and the TIMER display will be OFF.

The lower decimal point of the colon is on to show that the HOURS digits are selected.

Use the UP or DOWN button to change the HOURS.

Press the SELECT button. The upper decimal point of the colon is on to show that the MINUTES digits are selected.

Use the UP or DOWN buttons to change the MINUTES.

Press the CLOCK button to save the Time-of-Day and return to normal operation.

Note: No button activity for 5 seconds will save and exit also.

To set the TIMER display:

Press the SELECT button to toggle between TIMER1 AND TIMER2.

Press and hold the TIMER button for 3 seconds. The peep will beep and the CLOCK display will be OFF.

The lower decimal point of the colon is on to show that the MINUTES digits are selected.

Use the UP or DOWN button to change the MINUTES.

Press the SELECT button. The upper decimal point of the colon is on to show that the SECONDS digits are selected.

Use the UP or DOWN buttons to change the SECONDS.

Press the TIMER button to save the TIME and return to normal operation.

Note: No button activity for 5 seconds will save and exit also.

Maximum TIME is 29 minutes, 59 seconds.



Electrical Parts List

Model: E-5 / E-5L

1. Junction box w/cover, galvanized steel. Overall dimensions, 4" long, 2 1/8" wide, 1 1/2" deep, .07" thick and 4" long, 4 1/4" wide, 1 1/2" deep .07" thick.. Secured to laminated particle board by screws. U.L. listed or equal.
2. #12-2 stranded aluminum armored cable U.L. listed or equal
3. Anti-short bushing size 0 for armored cable U.L. listed or equal.
4. 3/8" trade size, two screw connector U.L. listed or equal.
5. Conduit connector, 3/8" insulated. U.L. listed or equal.
6. Insulated spade tongue, for #12 Ga. AWG. U.L. listed or equal.
7. Wire connectors, (wire nut), screw on type. U.L. listed.
8. Receptacle, duplex 2-pole 3 wire grounding hospital grade, rated 125 VAC, 15 AMPS. U.L. listed or equal.
9. Wall plate, duplex, U.L. listed.
10. Fluorescent lamp assembly (E-5 & E-5W models only).
11. Clock/timer, see ETL control no. 3038374

Electrical Specifications

Model: E-5 / E-5L

IMPORTANT NOTE: Approved electrical components and designs are used in the Quolis cabinet; however, the procedures described herein must be performed by a licensed electrician using approved methods and materials according to the local code governing the installation site.

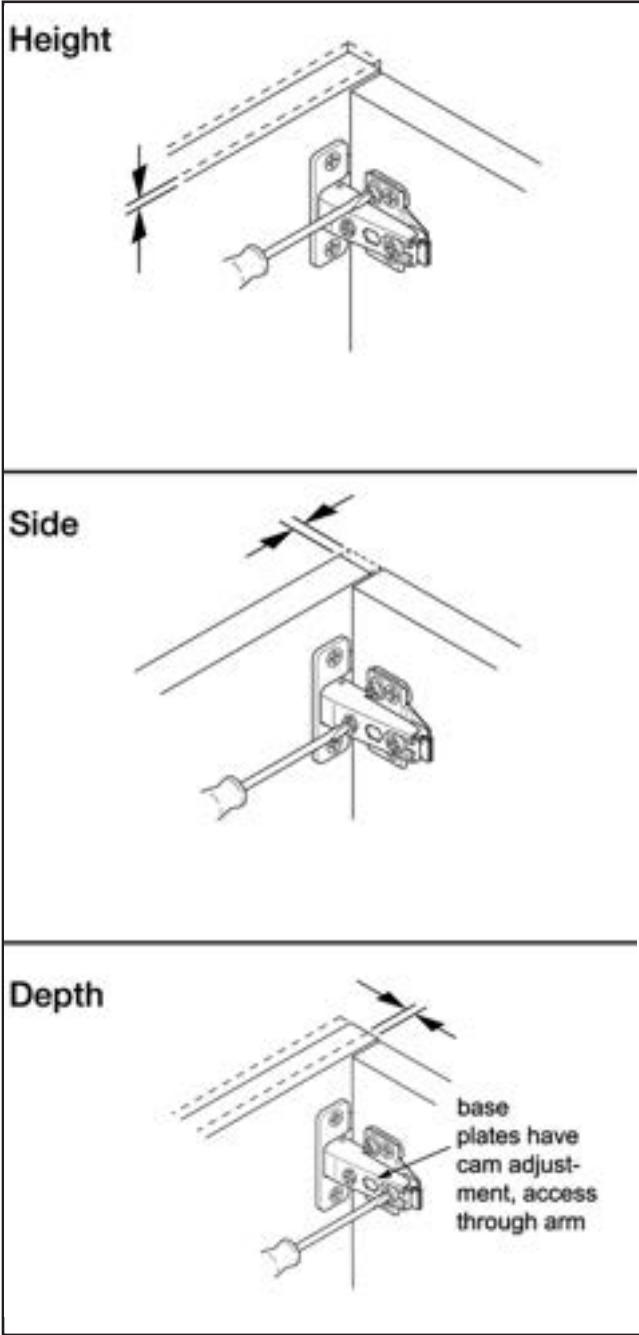
General Electrical Notes

- Each cabinet should be wired to a **SEPARATE 15 Amp circuit**.
- Unless otherwise specified, **ALL WIRING** supplied by the contractor must be **APPROVED 12 Ga. AWG**.
- Type B equipment providing a particular degree of protection against electric shock, particularly regarding: allowable leakage current, & reliability of the protective earth connection (if present).
- Disconnect device must be provided in the branch circuit by electrician.

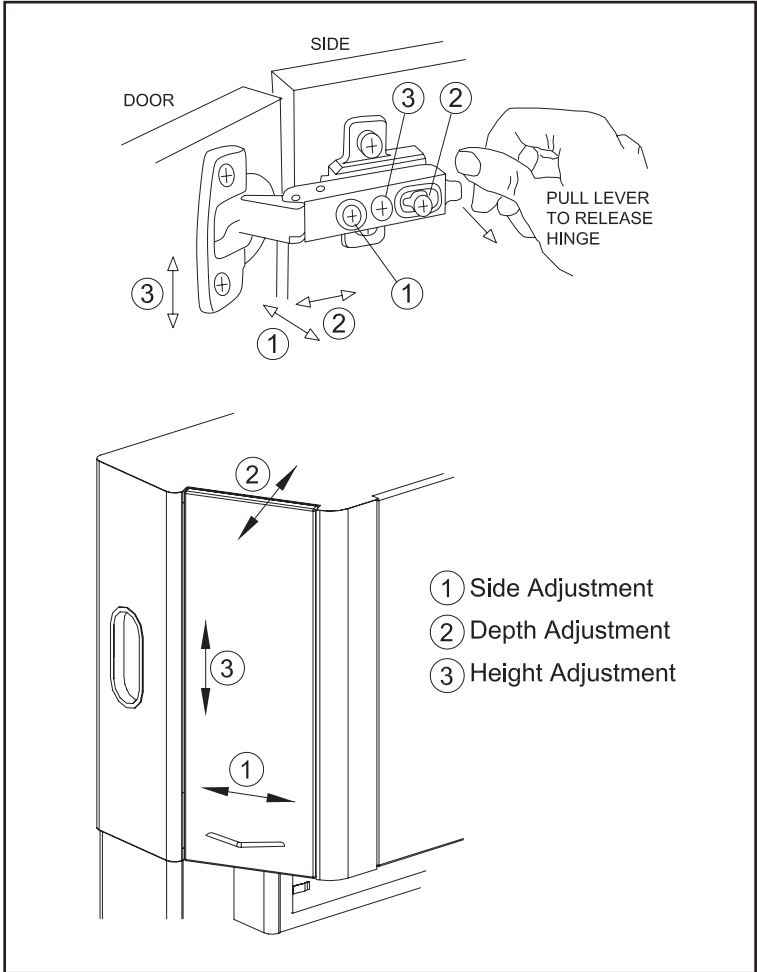
Hinge Adjustments

Model: E-5 / E-5L

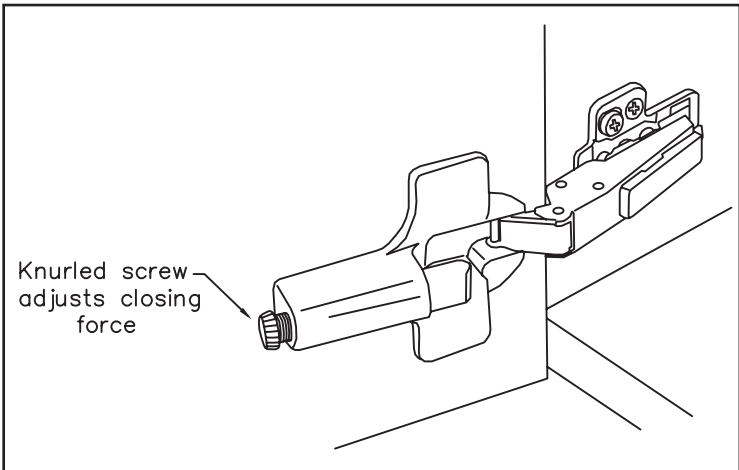
Hinge Adjustment For Standard Doors



Hinge Adjustment For Angled Doors

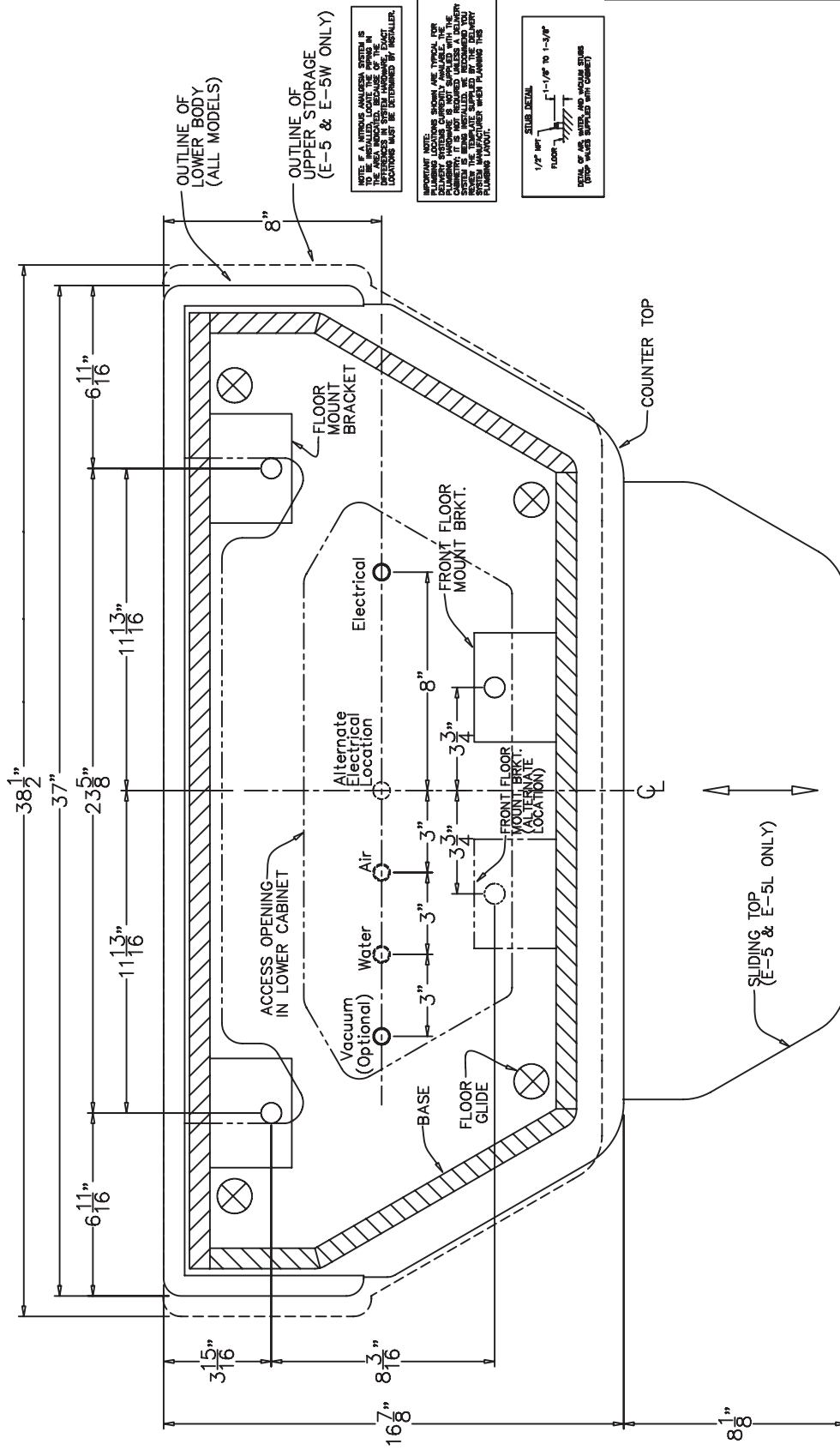


G-Force™ Controlled Closing Device



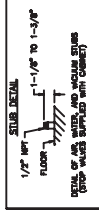
Floor Template

Model: E-5 / E-5L



NOTE: IF A VACUUM ANALYSIS SYSTEM IS DELIVERED, THE ANALYSIS SYSTEM MUST BE INSTALLED IN THE AREA INDICATED. BECAUSE OF THE DIFFERENCES IN SYSTEM HANDLING, EXACT LOCATIONS MUST BE DETERMINED BY INSTALLER.

IMPORTANT NOTE: DIMENSIONS SHOWN ARE TYPICAL FOR DELIVERY SYSTEMS CURRENTLY AVAILABLE. THE DELIVERY SYSTEMS ARE SUBJECT TO CHANGE WITHOUT NOTICE. COMMITMENT TO THIS IS NOT REQUIRED UNLESS A DELIVERY SYSTEM IS SPECIFICALLY IDENTIFIED BY THE DELIVERY SYSTEM IN THE SPECIFICATIONS. THE DELIVERY SYSTEMS SHOWN IN THIS TEMPLATE SHOULD BE USED WHEN PLANNING THIS SYSTEM'S INSTALLATION.



Surface Cleaning

Ortho-Sys. ECO-Sys, D-Series, & E-Series

Belmont Recommends:

- *Countertop Magic*® for Laminate and Solid Surface Work Surfaces
- *Stone Clean and Polish Magic*® for Cambria Quartz Work Surfaces
- *Cabinet and Wood Magic*® for Laminate and Melamine Surfaces
- *Stainless Steel Magic*® for Stainless Steel Surfaces

Products available at Lowes®, Home Depot®, or @ www.magicamerican.com

Laminate/Melamine Surfaces

Clean surfaces with a damp cloth or sponge with a mild soap.

Stains may be removed with most non-abrasive household cleaners such as Formula 409®, Fantastik®, Glass Plus®, or Windex with Ammonia D®.

For tough stains, use a paste of baking soda and water and apply with a soft bristled brush. Although baking soda is a low abrasive, excessive scrubbing or exerting too much force may damage the decorative surface.

Many commercially available products contain substances that may damage or discolor the decorative surface. **Do not** use abrasive cleaners such as toilet bowl cleaners, hydrogen peroxide, oven cleaners, drain cleaners, metal cleaners and polishes, chlorine bleach, coffee pot cleaners, hard water stain removers, fruit and berry juice, tub and tile cleaners, or equivalent.

LG HI-MACS® Solid Surface Tops

Clean surfaces with a damp cloth or sponge with a mild soap.

Stains can easily be removed using a domestic all-purpose cleaner or for tough stains use a bleaching agent (**do not leave in contact with the work surface for more than five minutes**) and rinse with clean water.

Avoid using cleaning agents that contain acids, such as methyl chloride or acetone. Should one of these products accidentally come into contact with the material, as a precautionary measure, rinse the surface with soapy water to prevent any discoloring taking place.

For additional care/maintenance, visit: www.lghausys.com

Cambria® Quartz Work Surfaces

Clean surfaces with a damp cloth or sponge with a mild soap.

Do not use abrasive, strong alkaline, acid, free radicals, or oxidized cleaners (whether high, neutral or low pH). **Do not** use products such as bleach, oven cleaners, Comet®, Soft Scrub®, SOS®, products with pumice, batteries, paint removers, furniture strippers, or tarnish/silver cleaners. **Do not** use abrasive or harsh scrub pads. **Do not** apply sealers, penetrants or topical treatments, as such products will wear off and cause the gloss to appear dull or inconsistent.

For additional care/maintenance, visit: www.cambriausa.com