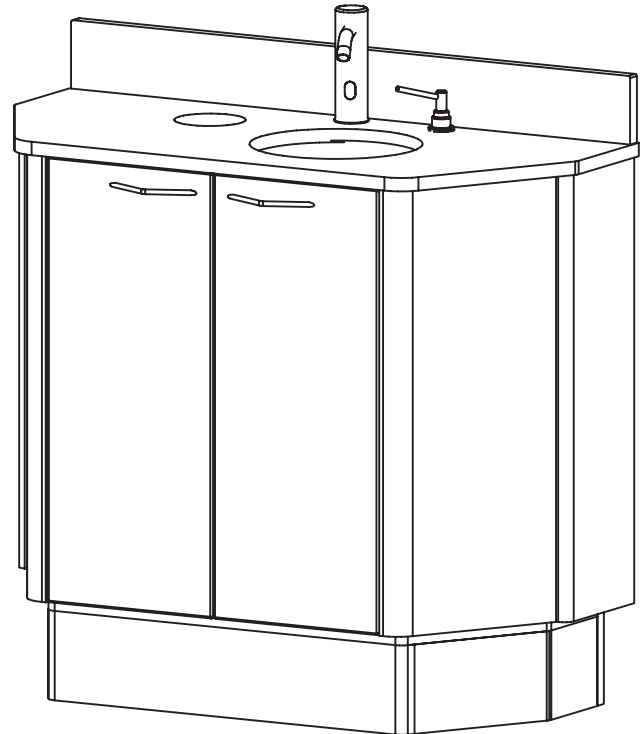
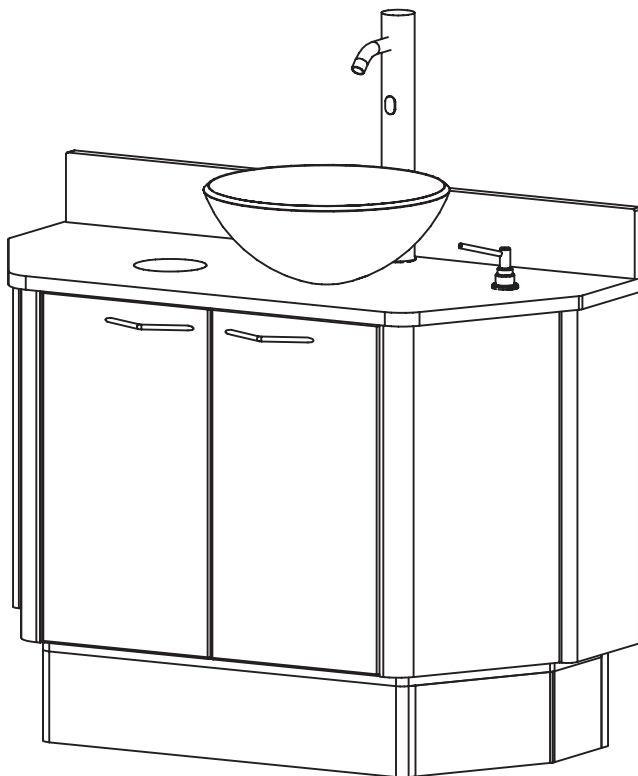


# ***Installation Instructions & Owners Manual***

**E-Series Dental Cabinetry  
Model: E-8**



**E-8**



**E-8 with Glass Bowl**

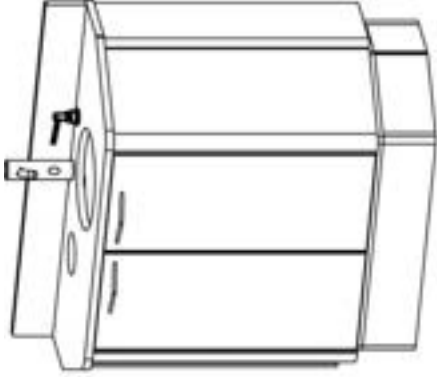
**Consumer: Please retain these instructions for future use.**



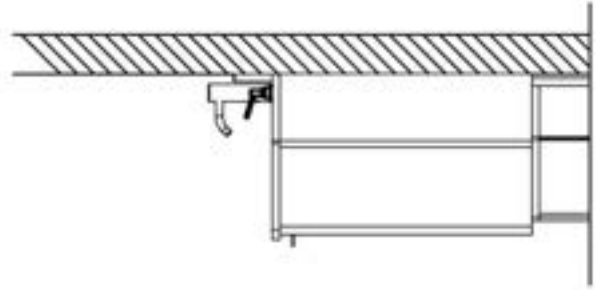
1631 Dr. Martin Luther King Drive  
St. Louis, MO 63106  
(314) 231-7383 (888) 833-3682  
Fax (314) 621-2296  
[www.belmontequip.com](http://www.belmontequip.com)

# Detail Drawings

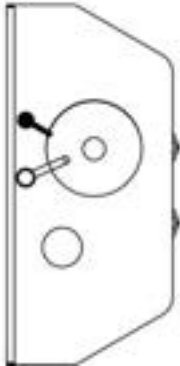
Model: E-8



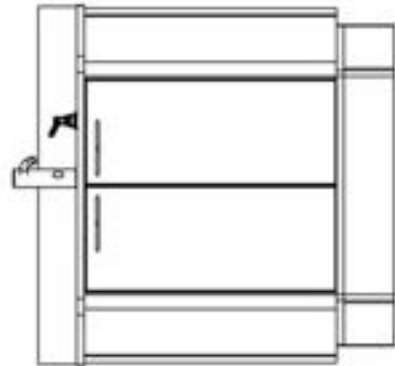
ISOMETRIC VIEW



RIGHT SIDE VIEW

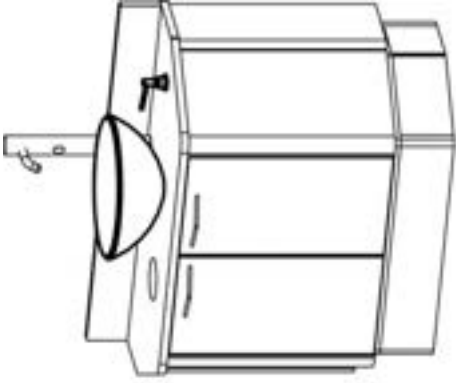


TOP VIEW

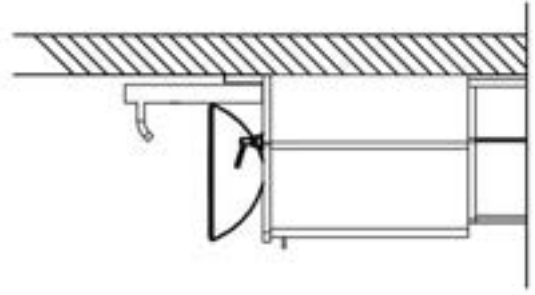


FRONT VIEW

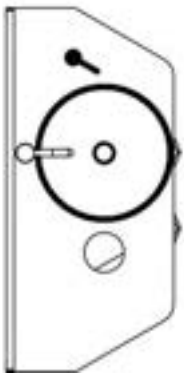
**Detail Drawings**  
Model: E-8 w/ Glass Bowl



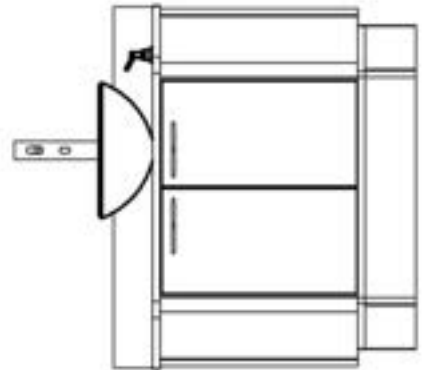
ISOMETRIC VIEW



RIGHT SIDE VIEW



TOP VIEW



FRONT VIEW

# General Cabinet Handling Information

Models: All

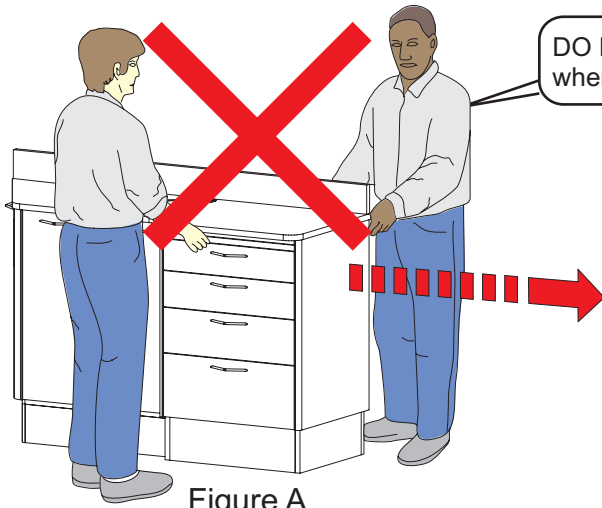


Figure A

DO NOT Lift cabinet by the counter top when moving. See Figure A.

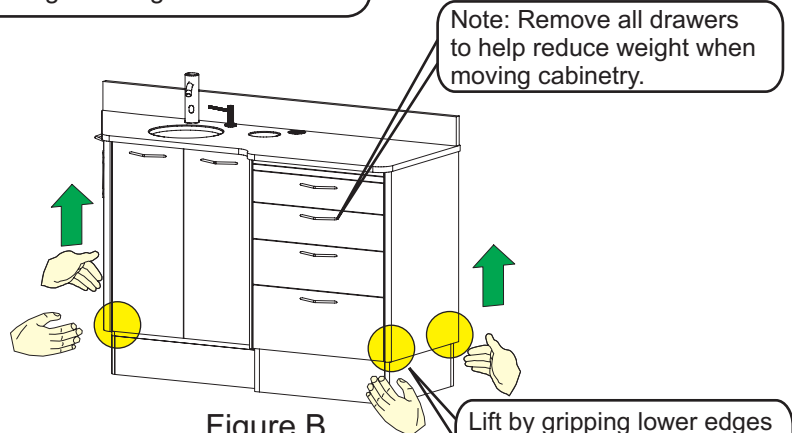


Figure B

Note: Remove all drawers to help reduce weight when moving cabinetry.

Lift by gripping lower edges of cabinet body just above the kick plate. See Figure B.

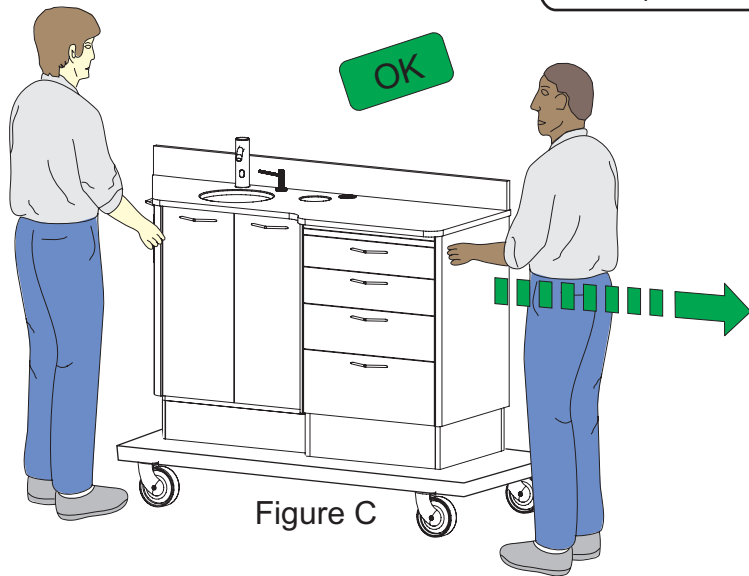


Figure C

Move by using some type of roller dolly, slings or a comparable moving aid. See Figure C and D.

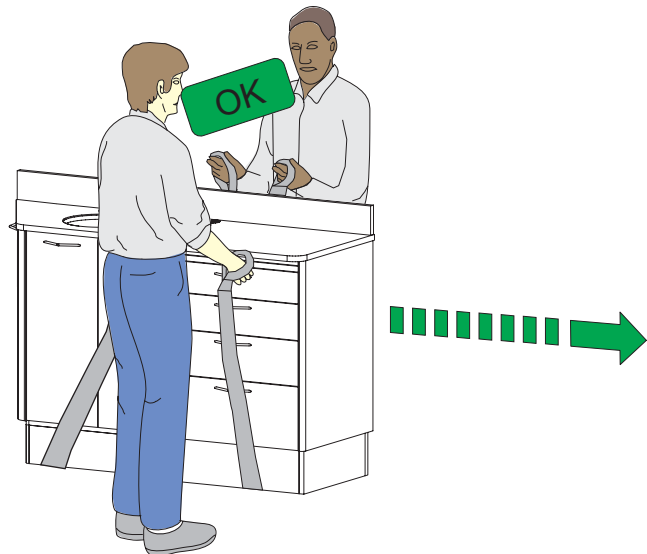
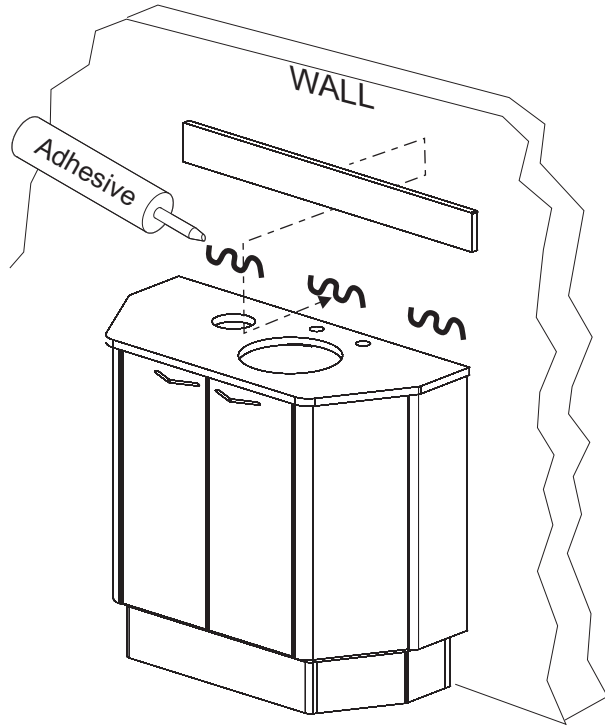


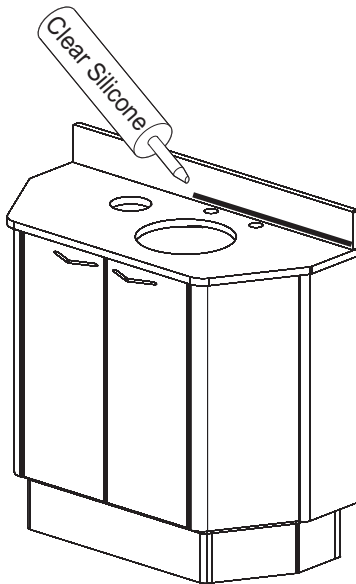
Figure D

**Note: Test fit pieces  
prior to glueing  
into place**

# Back Splash Mounting Model: E-8



Seal w/clear  
silicone rubber



# Glass Bowl Installation Model: E-8 w/ Glass Bowl

## Step 1

Place Mounting Ring (A), Large Rubber Washer (B), Glass Bowl (C) aligned over the hole in the counter top. Insert the Drain Assembly (E) with the Small Rubber Washer (D) through the hole in the Glass Bowl. (see Figure 1).

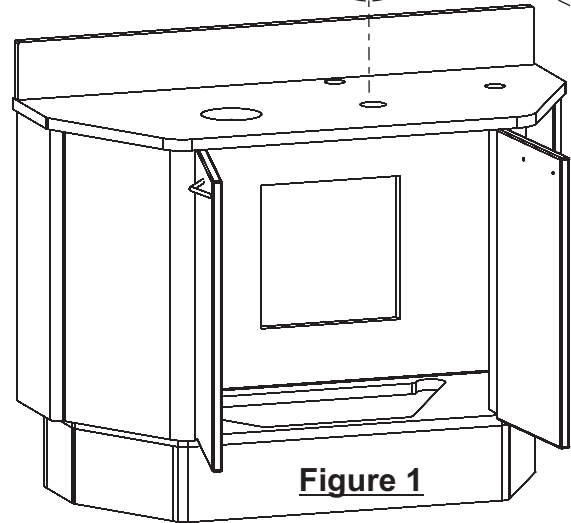
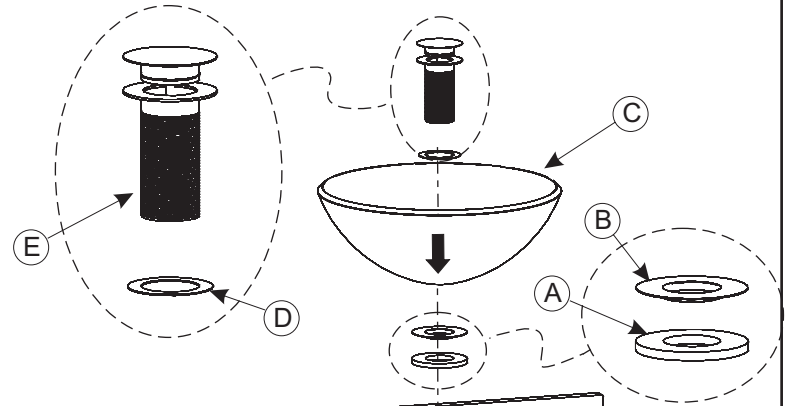


Figure 1

## Step 2

Connect Drain Assembly Nut (G) to Drain Assembly (E) along with the Small Plastic Washer (F) and hand tighten to check for alignment then use pipe wrench to complete tightening (see Figure 2).  
**CAUTION: DO NOT OVERTIGHTEN**

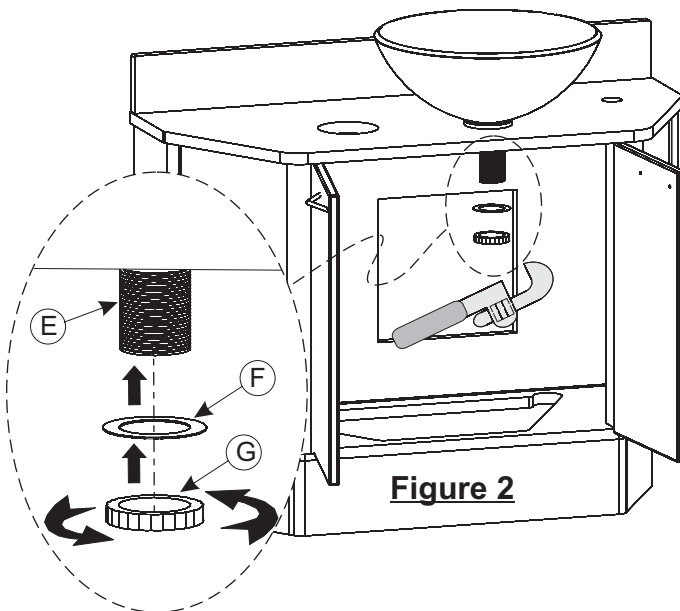


Figure 2

## Step 3

Connect Tail Piece (H) to Drain Assembly (E) and tighten using pipe wrench (see Figure 3). It may be necessary to cut off some of the Tail Piece to properly fit with remaining plumbing drain connections.

Make remaining plumbing drain connections per local codes and plumbing rough-ins.

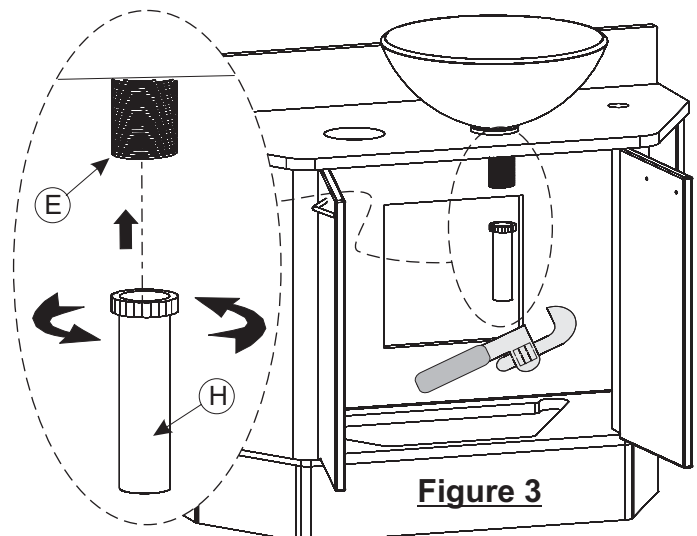


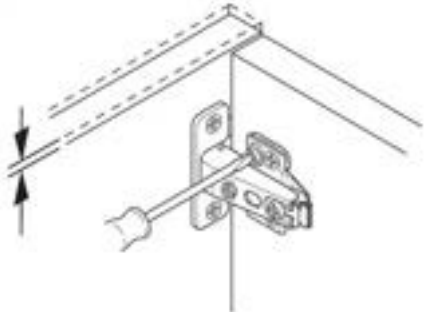
Figure 3

# Hinge Adjustments

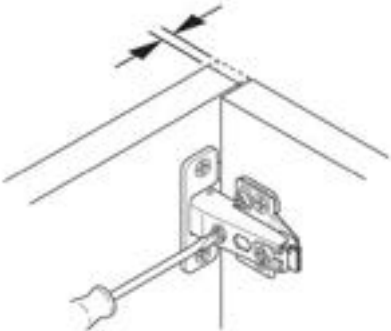
Model: E-8

## Hinge Adjustment For Standard Doors

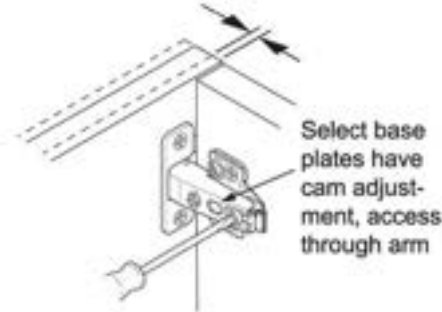
Height



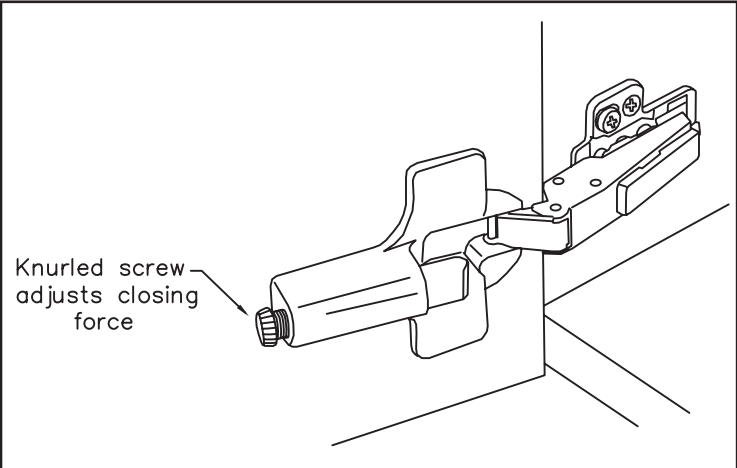
Side



Depth



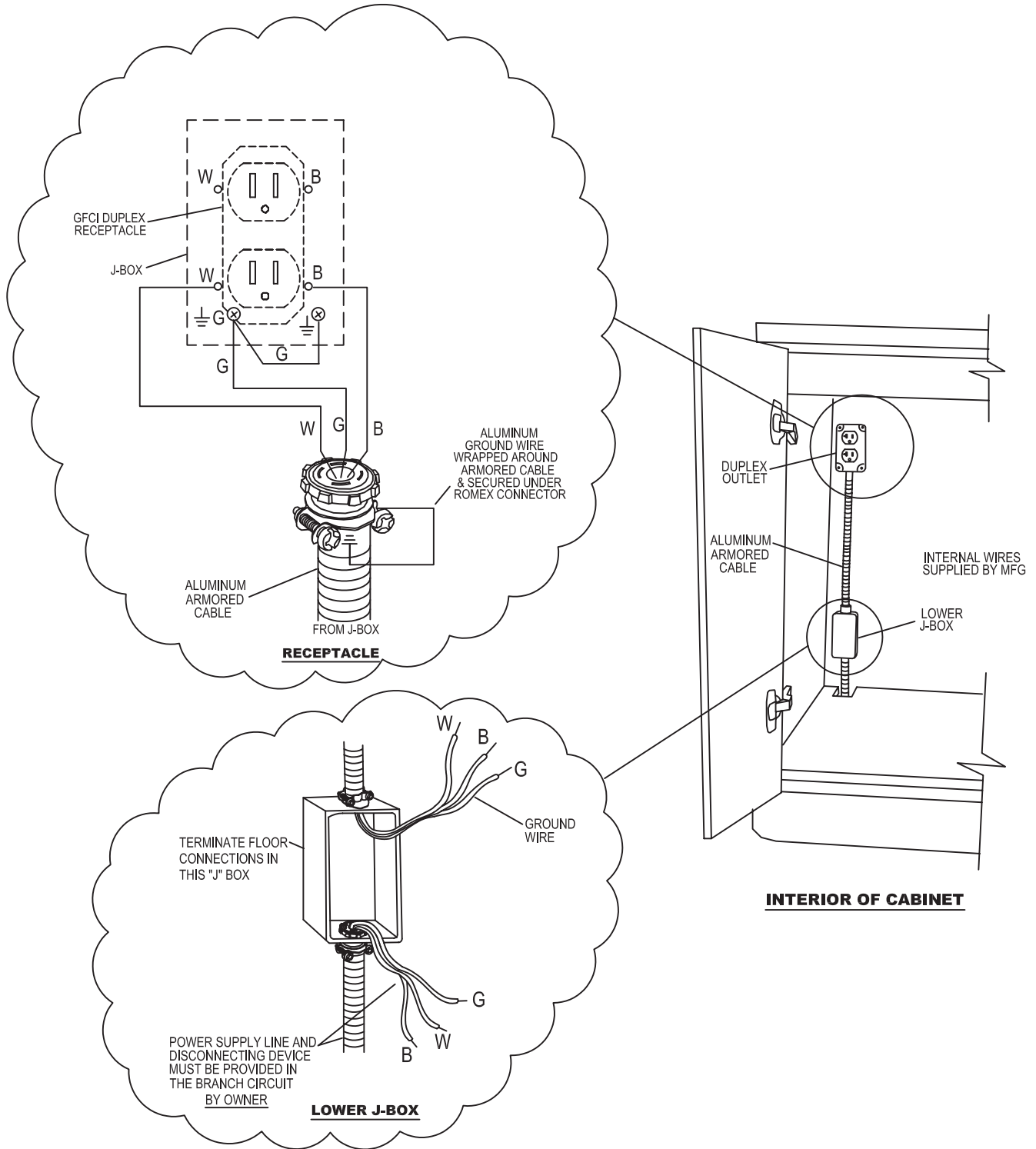
## G-Force™ Controlled Closing Device



# Electrical Schematic

Model: E-8

## E-1/E-1G, E-3/E-3C/E-3G/E-3CG & E-8/E-8G ELECTRICAL HOOKUP



# Electrical Specifications

Model: E-8

## E-8 & E-8G Electrical Specifications

**IMPORTANT NOTE:** Approved electrical components and designs are used in the cabinet; however, the procedures described herein must be performed by a licensed electrician using approved methods and materials according to the local code governing the installation site.

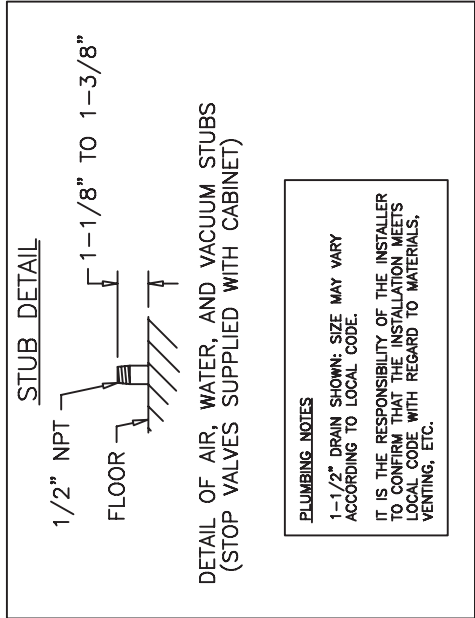
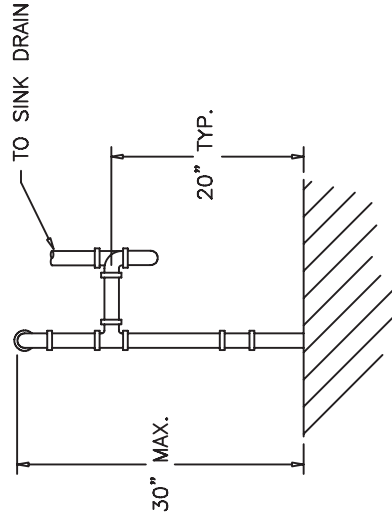
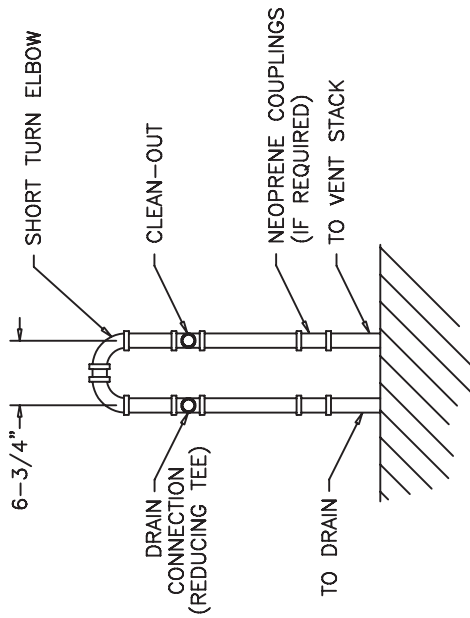
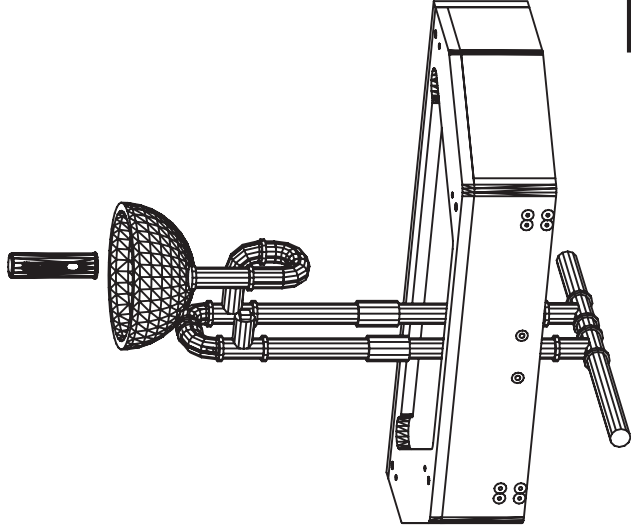
### General Electrical Notes

- Each cabinet should be wired to a **SEPARATE 15 Amp circuit**.
- Unless otherwise specified, **ALL WIRING** supplied by the contractor must be **APPROVED 12 Ga. AWG**.
- Type B equipment providing a particular degree of protection against electric shock, particularly regarding: allowable leakage current, & reliability of the protective earth connection (if present).
- Disconnect device must be provided in the branch circuit by electrician.

# Floor Template Plumbing Details

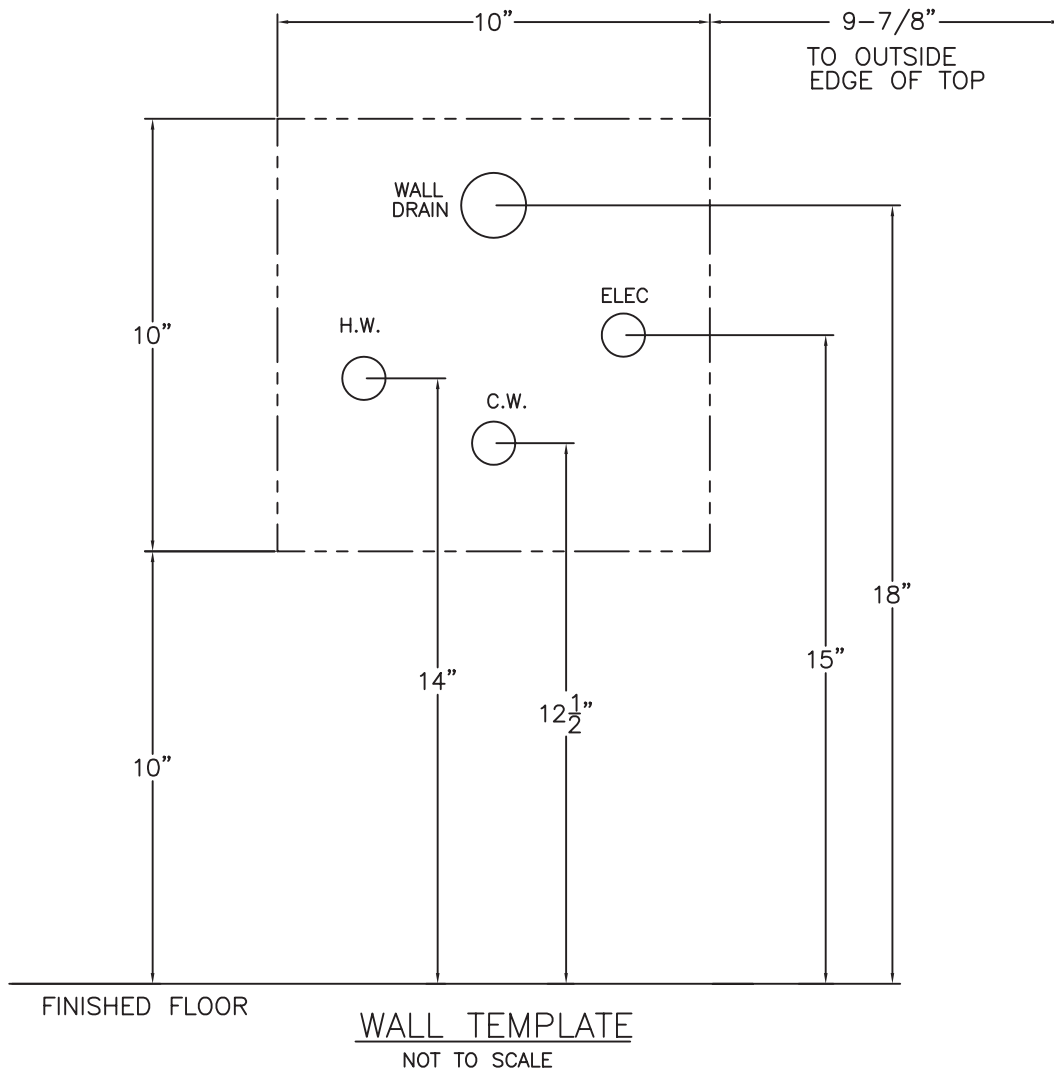
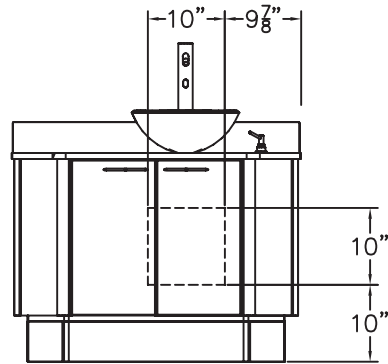
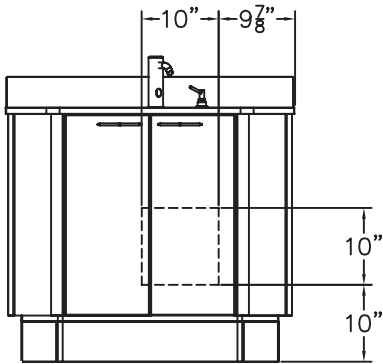
Model: E-8

LOOP VENTING (E-8 ONLY)  
 IF LOOP VENTING IS REQUIRED AT  
 INSTALLATION SITE SEE THESE DIAGRAMS.  
 NOTE: VENT LOOP NOT APPLICABLE  
 FOR E-8G MODELS



WALL TEMPLATE  
REAR PLUMBING

Wall Template  
Model: E-8





# Surface Cleaning

Ortho-Sys. ECO-Sys, D-Series, & E-Series

## Belmont Recommends:

- *Countertop Magic*® for Laminate and Solid Surface Work Surfaces
- *Stone Clean and Polish Magic*® for Cambria Quartz Work Surfaces
- *Cabinet and Wood Magic*® for Laminate and Melamine Surfaces
- *Stainless Steel Magic*® for Stainless Steel Surfaces

Products available at Lowes®, Home Depot®, or @ [www.magicamerican.com](http://www.magicamerican.com)

## Laminate/Melamine Surfaces

Clean surfaces with a damp cloth or sponge with a mild soap.

Stains may be removed with most non-abrasive household cleaners such as Formula 409®, Fantastik®, Glass Plus®, or Windex with Ammonia D®.

For tough stains, use a paste of baking soda and water and apply with a soft bristled brush. Although baking soda is a low abrasive, excessive scrubbing or exerting too much force may damage the decorative surface.

Many commercially available products contain substances that may damage or discolor the decorative surface. **Do not** use abrasive cleaners such as toilet bowl cleaners, hydrogen peroxide, oven cleaners, drain cleaners, metal cleaners and polishes, chlorine bleach, coffee pot cleaners, hard water stain removers, fruit and berry juice, tub and tile cleaners, or equivalent.

## LG HI-MACS® Solid Surface Tops

Clean surfaces with a damp cloth or sponge with a mild soap.

Stains can easily be removed using a domestic all-purpose cleaner or for tough stains use a bleaching agent (**do not leave in contact with the work surface for more than five minutes**) and rinse with clean water.

Avoid using cleaning agents that contain acids, such as methyl chloride or acetone. Should one of these products accidentally come into contact with the material, as a precautionary measure, rinse the surface with soapy water to prevent any discoloring taking place.

For additional care/maintenance, visit: [www.lghausys.com](http://www.lghausys.com)

## Cambria® Quartz Work Surfaces

Clean surfaces with a damp cloth or sponge with a mild soap.

**Do not** use abrasive, strong alkaline, acid, free radicals, or oxidized cleaners (whether high, neutral or low pH). **Do not** use products such as bleach, oven cleaners, Comet®, Soft Scrub®, SOS®, products with pumice, batteries, paint removers, furniture strippers, or tarnish/silver cleaners. **Do not** use abrasive or harsh scrub pads. **Do not** apply sealers, penetrants or topical treatments, as such products will wear off and cause the gloss to appear dull or inconsistent.

For additional care/maintenance, visit: [www.cambriausa.com](http://www.cambriausa.com)