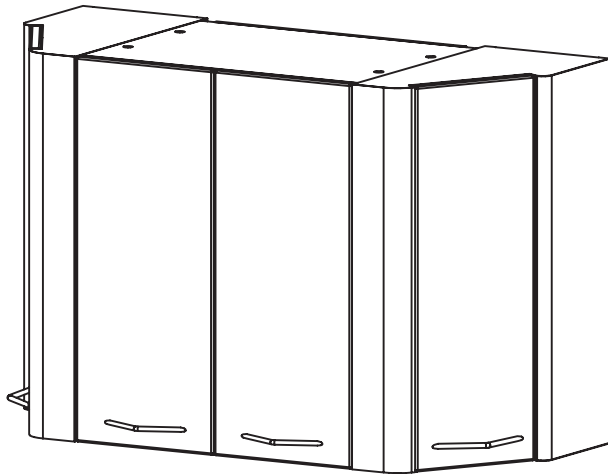
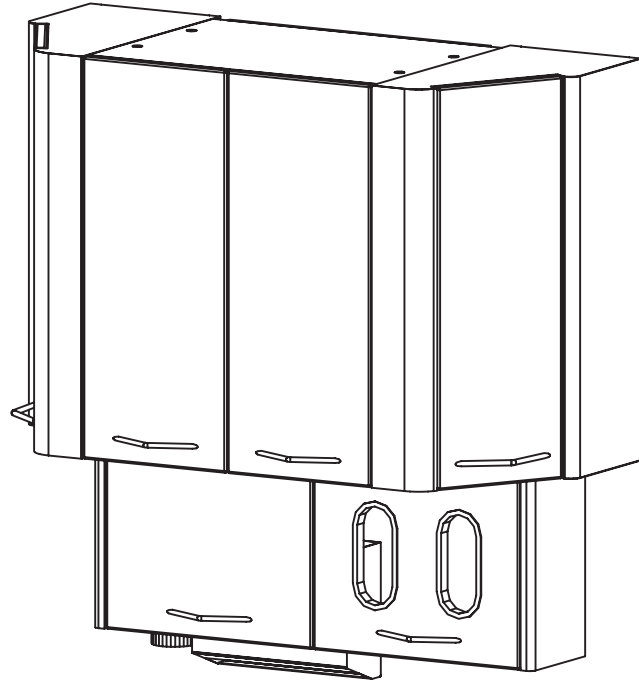


Installation Instructions & Owners Manual

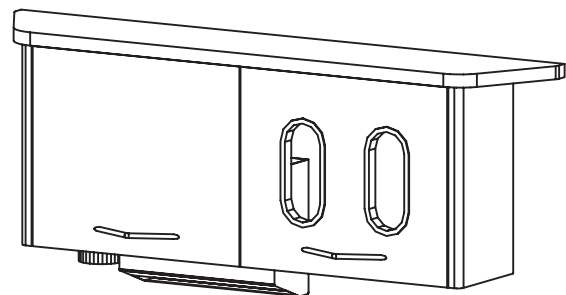
**E-Series Dental Cabinetry
Model: E-2/E-2U/E-2L**



E-2U



E-2



E-2L

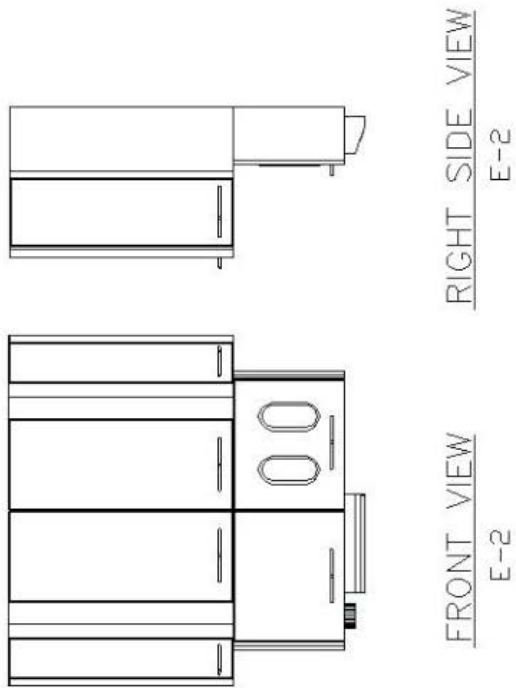
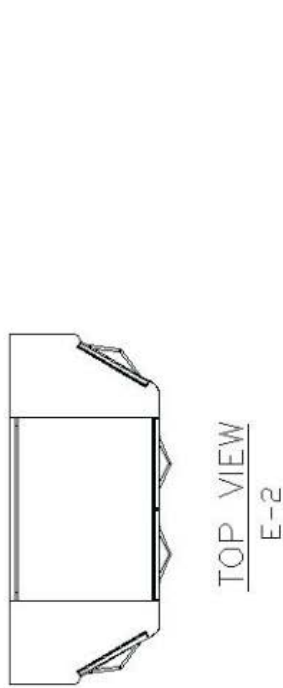
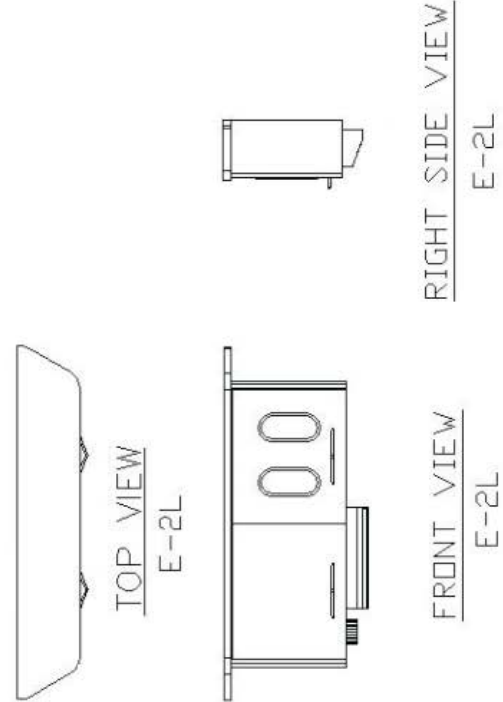
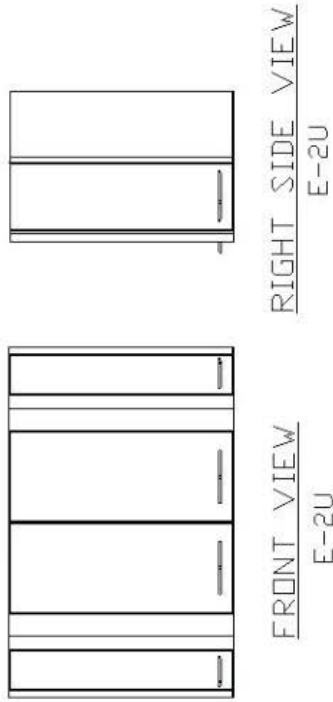
Consumer: Please retain these instructions for future use.

Version: 03272013



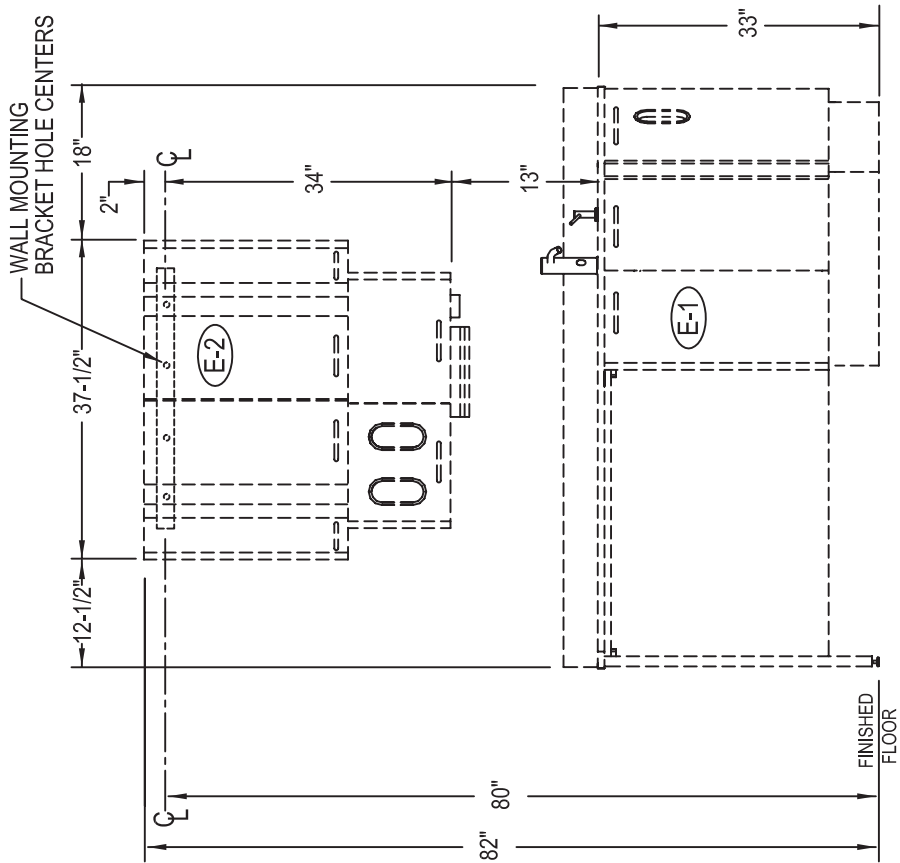
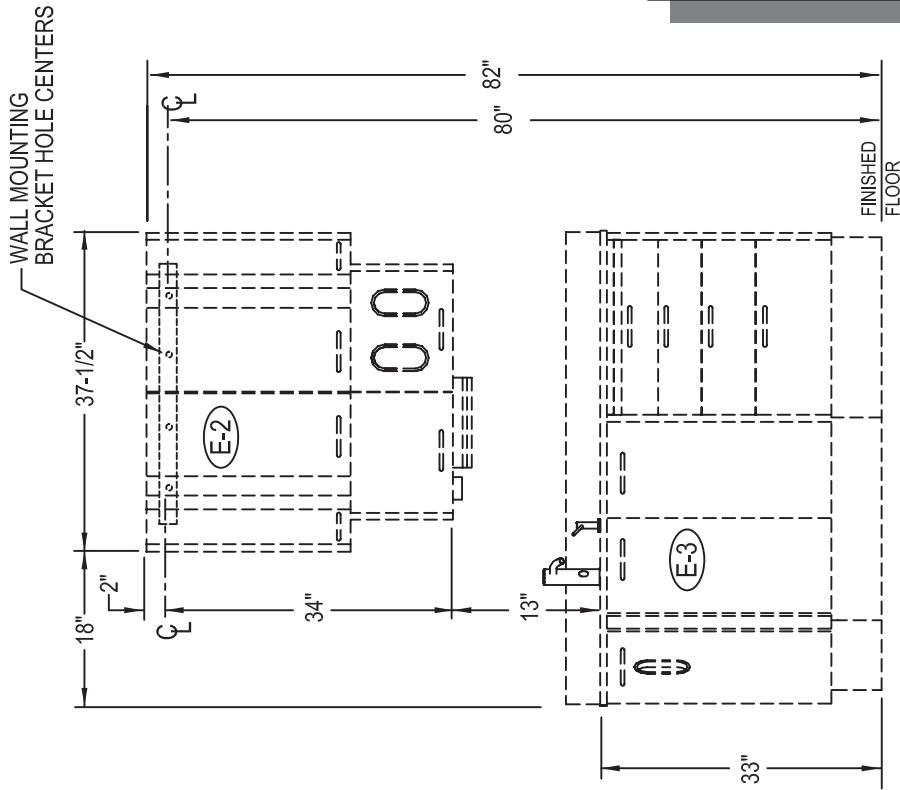
1631 Dr. Martin Luther King Drive
St. Louis, MO 63106
(314) 231-7383 (888) 833-3682
Fax (314) 621-2296
www.belmontequip.com

Detail Drawings
Model: **E-2/E-2U/E-2L**



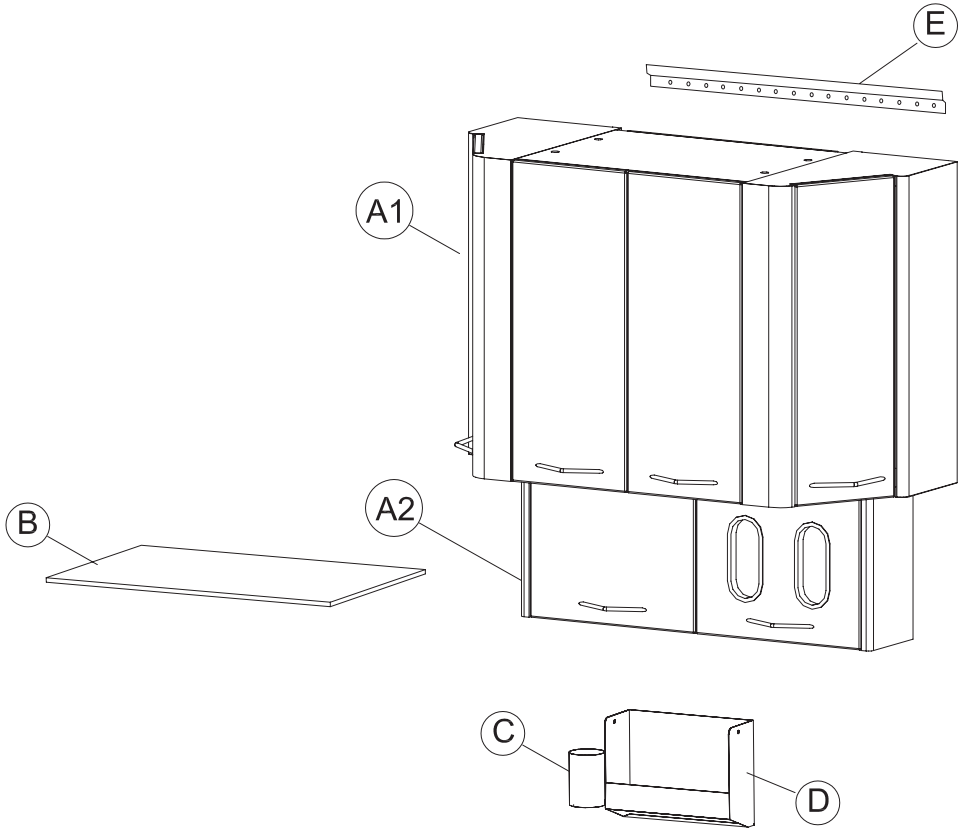
Mounting Recommendations

Model: E-2/E-2U



Assembly Instructions
Model: E-2 / E-2U

E-2 / E-2U Assembly Instructions
Component Identification



Component Identification

- (A1) E-2U Wall Mount Storage Cabinet (Upper)
- (A2) E-2L Wall Mount Storage Cabinet (Lower)
- (B) Glass Shelf
- (C) Cup Dispenser
- (D) Towel Dispenser
- (E) Wall Mount Channel (Z-Bar)

Assembly Instructions

Model: E-2 / E-2U

Step 1

Locate where the storage cabinet is to be mounted on the wall. 82" from the floor to the top of the cabinet is the suggested location. See [Figure 1](#)

Make a horizontal mark on the wall 80" above the floor about 20" long centering the line where the center of the cabinet will be. Make sure this line is level. This will be the centerline of the holes to be drilled into the wall.

Important!

Before drilling the holes for the wall mounting channel (z-bar) you will need to decide how best to fasten it to the wall depending on the walls construction. Its recommended that you fasten into structural members where possible such as wood or metal studs. You may screw directly into studs with the appropriate screw type.

Mounting the z-bar to drywall only you may use the manufacturer recommended fasteners: (six zip-it screws with #8 x 3/4" pan head screws or six molly screws).

Step 2

Hold z-bar (E) up to the wall at the location you made the horizontal line. Line up the center of the holes in the z-bar with line. Mark your hole centers that you will be fastening through. See [Figure 2A](#)

If screwing directly into a structural member you may do so now. Make sure the z-bar is level before completing. **Skip to Step 4.**

If you will be using zip-it or molly screws you will need to drill appropriate sized holes for the type of fastener at the locations marked.

Zip it screws: Drive the zip-it screws into hole locations until the top is flush with the drywall. See [Figure 2B](#).

Molly screws: Drill 3/8" holes into the drywall at desired locations and insert the molly inserts into the holes until the top is flush with the drywall. See [Figure 2C](#). Fully thread the molly screws into the molly inserts to compress & secure them to the drywall then remove the screws. See [Figure 2D](#).

Step 3

Place the z-bar into location and drive fasteners through the holes and into the zip-it or molly inserts already mounted into wall. See [Figure 3A](#). Make sure the z-bar is level.

If using the molly screws make sure you tighten the screws sufficiently for the molly inserts to properly grip drywall. See [Figure 3B](#)

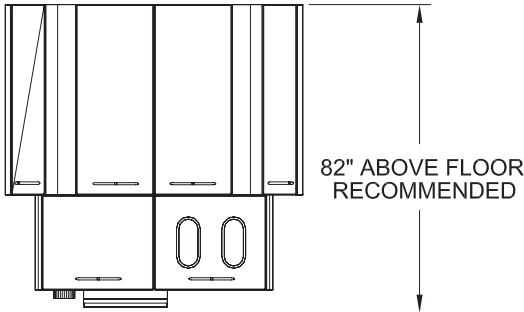
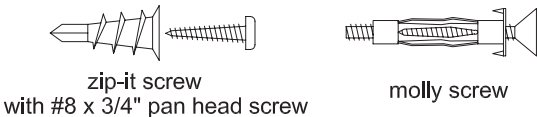


FIGURE 1



zip-it screw
with #8 x 3/4" pan head screw

molly screw

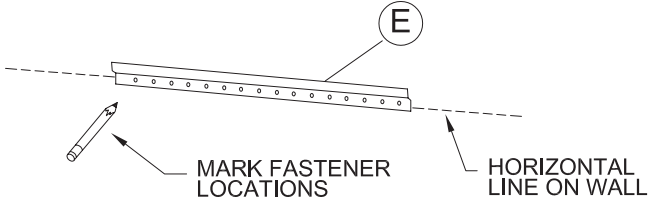


FIGURE 2A

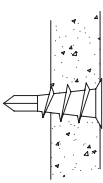


FIGURE 2B

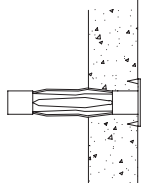


FIGURE 2C

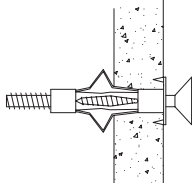


FIGURE 2D

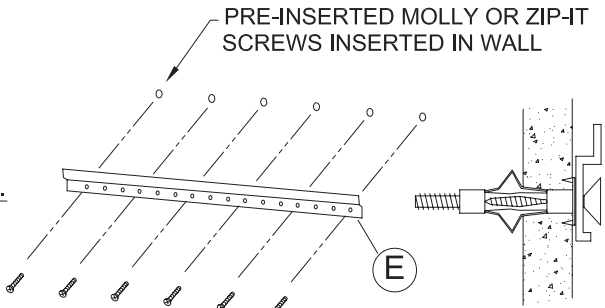


FIGURE 3A

FIGURE 3B

Assembly Instructions

Model: E-2 / E-2U

Step 4

Hang the cabinet (A1) onto the z-bar (E) by placing cabinet against the wall above the z-bar then sliding down the wall until the hanger clips on the back of the cabinet snag the z-bar. See Figure 4A

For section view of hanger clip and z-bar fastened together See Figure 4B

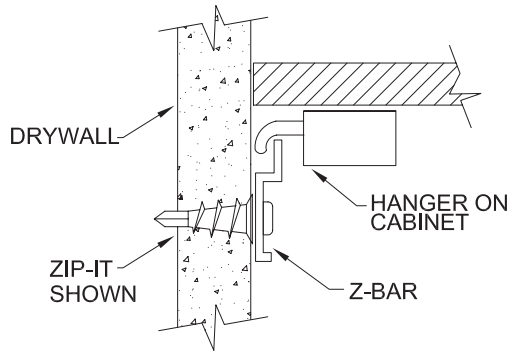


FIGURE 4B

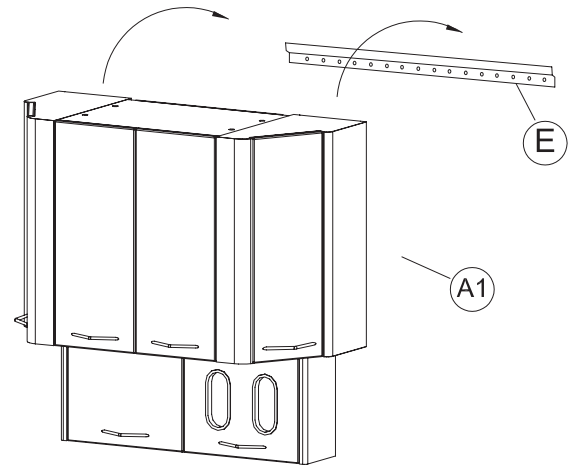


FIGURE 4A

Step 5

To tighten the cabinet to the z-bar locate the hanger bracket inside the cabinet doors at the upper interior corners. Using a screwdriver turn the screw clockwise to tighten. See Figure 5 There is a 14mm front to back adjustment range. Tighten this screw on both hanger brackets.

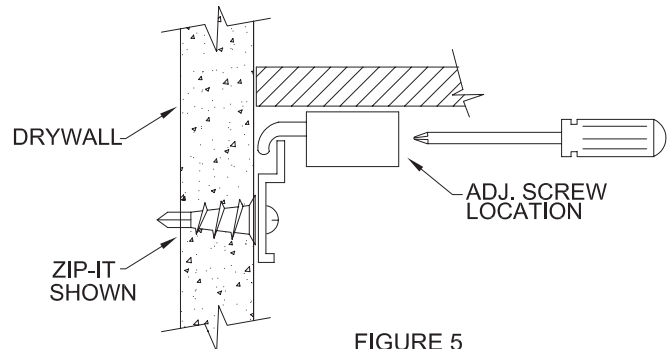


FIGURE 5

If mounting an E-2U ignore Step 6 and any other Step relating to the mounting of the E-2L section.

Step 6

Mark hole locations for fasteners through (4) holes in the back of the (A2) lower section. Remove the (2) wood screws holding the (A2) lower section to the (A1) upper section and remove the (A2) lower section. See Figure 6A

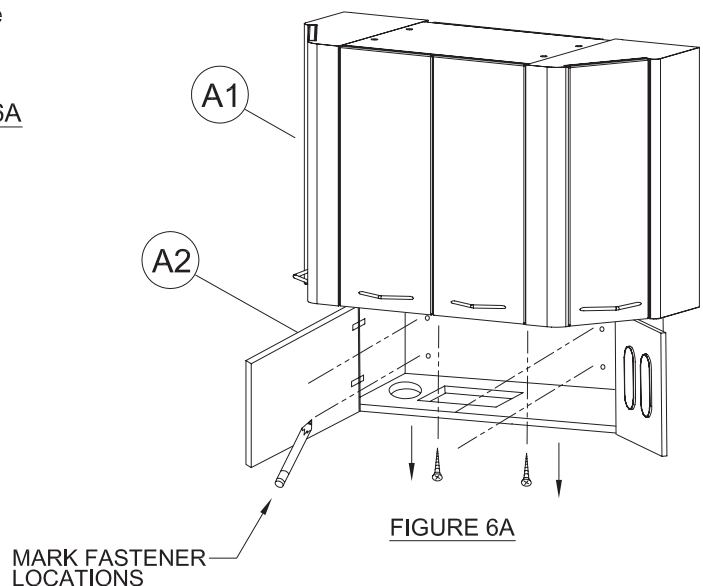


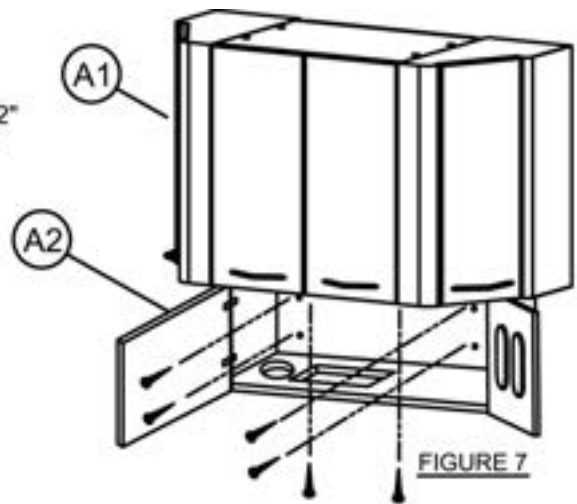
FIGURE 6A

Assembly Instructions

Model: E-2 / E-2U

Step 7

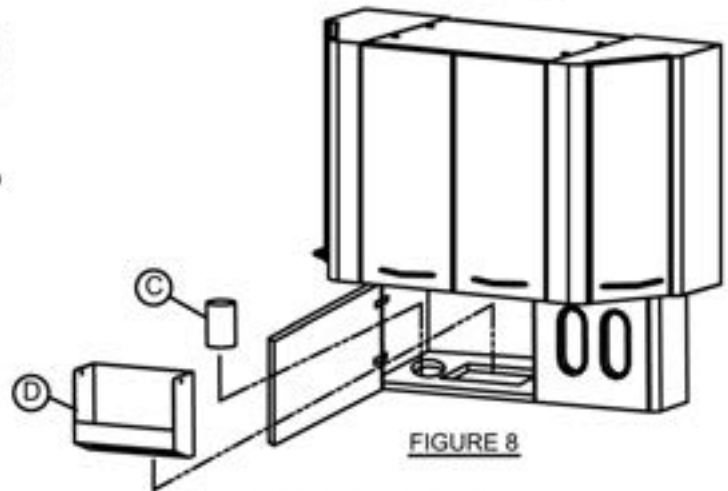
Secure the lower cabinet (A2) to the upper by screwing in (2) #8 x 1 1/2" wood screws first then screw in the appropriate screws for the zip-it or molly inserts. See Figure 7



Step 8

Open the lower left door and insert the cup dispenser (C) through the hole and the towel dispenser (D) through the rectangular cutout. See Figure 8

Open upper doors and insert glass shelf support pins into holes and then set glass shelf (B) onto the support pins.

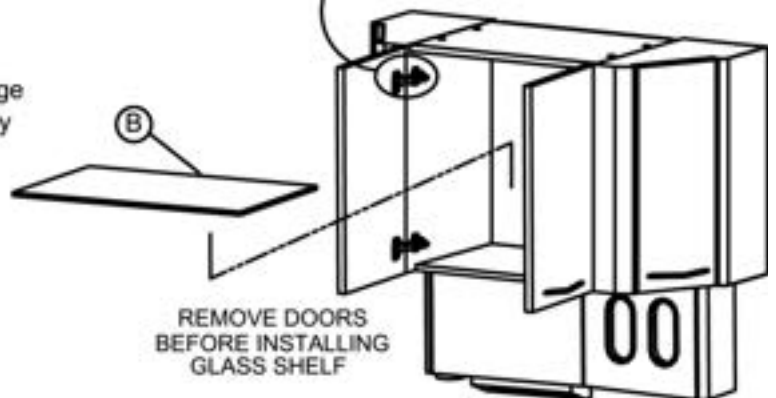
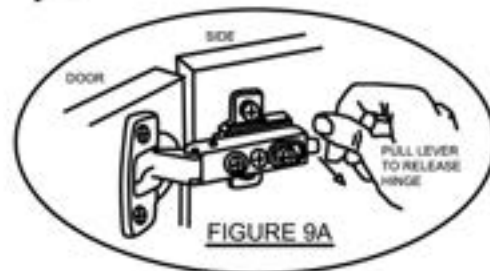


Step 9

Remove upper doors (to install glass shelves) by opening doors and pulling up on the tab at the end of the hinge base plate mounted on the inside of the cabinet. See Figure 9A

Insert glass shelf support pins into holes on the inside end panels and then set glass shelf (B) onto the support pins. See Figure 9B

Replace the doors by lining up the hinge and hinge plate then snap the hinge in place. See separate instruction page regarding adjusting the hinges if the doors are not properly aligned.



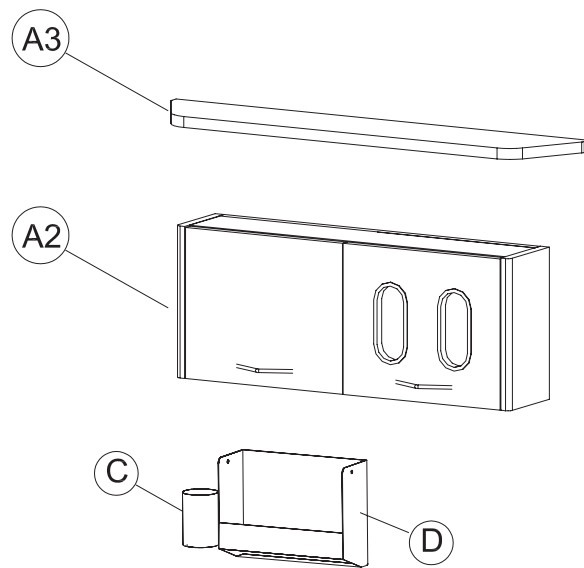
Installation Complete

Assembly Instructions

Model: E-2L

E-2L With Cambria Top Assembly Instructions

Component Identification



Component Identification

- (A2) E-2L Wall Mount Storage Cabinet (Lower)
- (A3) E-2L Cambria Top
- (C) Cup Dispenser
- (D) Towel Dispenser

Assembly Instructions

Model: E-2L

Step 1

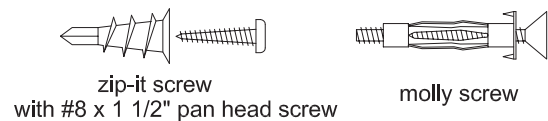
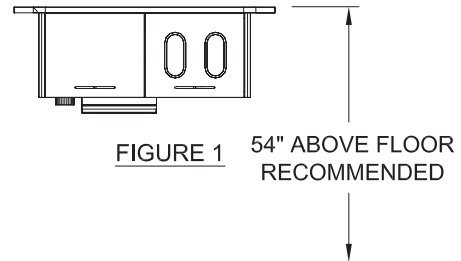
Locate where the cabinet is to be mounted on the wall. 54" from the floor to the top of the cabinet is the suggested location. See [Figure 1](#)

Open the doors and at the inside corners drill a 3/16" dia. hole through the back panel (this will be the wall mounting screw locations).

Important!

Before drilling the holes for the wall mounting you will need to decide how best to fasten it to the wall depending on the walls construction. Its recommended that you fasten into structural members where possible such as wood or metal studs. You may screw directly into studs with the appropriate screw type.

Mounting the cabinet to drywall only you may use the manufacturer recommended fasteners: (four zip-it screws with #8 x 1 1/2" pan head screws or four molly screws).



Step 2

Hold cabinet (with an assistants help) up to the wall at the location to be mounted making sure it is level. Mark the wall through the (4) holes previously drilled.

If screwing directly into a structural member you may do so now by drilling small pilot holes for the appropriate screws. **Skip to Step 3.**

If you will be using zip-it or molly screws you will need to drill appropriate sized holes for the type of fastener at the locations marked.

Zip it screws: Drive the zip-it screws into hole locations until the top is flush with the drywall. See [Figure 2B](#).

Molly screws: Drill 3/8" holes into the drywall at desired locations and insert the molly inserts into the holes until the top is flush with the drywall. See [Figure 2C](#). Fully thread the molly screws into the molly inserts to compress & secure them to the drywall then remove the screws. See [Figure 2D](#).

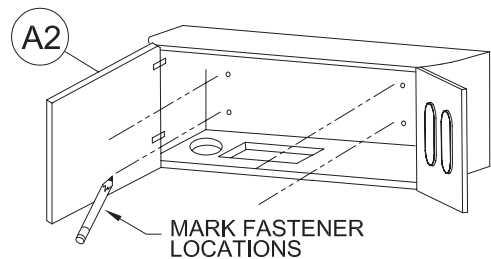


FIGURE 2A

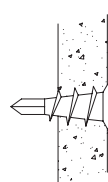


FIGURE 2B

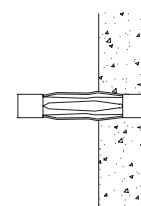


FIGURE 2C

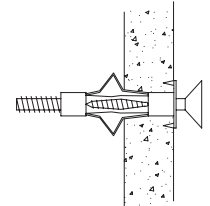


FIGURE 2D

Assembly Instructions

Model: E-2L

Step 3

Place the cabinet into location and drive fasteners through the holes and into the zip-it or molly inserts already mounted into wall or directly into the structural member if present. See Figure 3A.

If using the molly screws make sure you tighten the screws sufficiently for the molly inserts to properly grip drywall. See Figure 3B

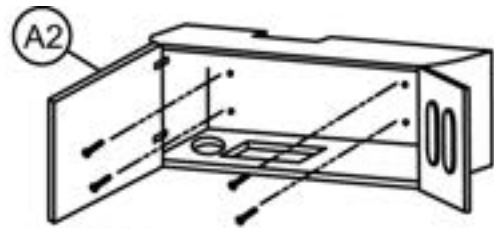


FIGURE 3A

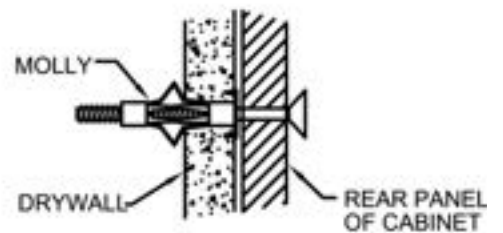


FIGURE 3B

Step 4

Using the provided silicone apply silicone to the top of the cabinet. Place the Cambria top onto the top of the cabinet and press down to properly seat the top. See Figure 4.

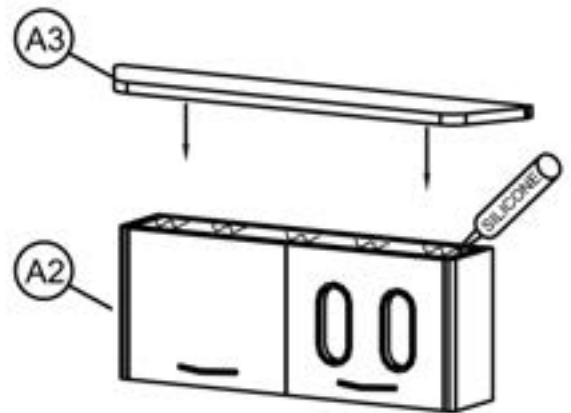


FIGURE 4

Step 5

Open the left door and insert the cup dispenser (C) through the hole and the towel dispenser (D) through the rectangular cutout. See Figure 5

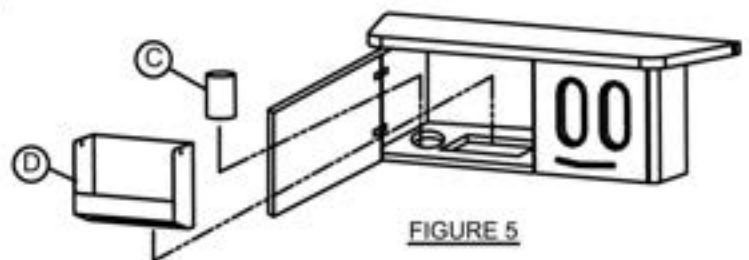


FIGURE 5

Installation Complete

Hinge Adjustments

Model: E-2 / E-2U / E-2L

Hinge Adjustment For Standard Doors

Height

Side

Depth

Select base plates have cam adjustment, access through arm

Hinge Adjustment For Angled Doors

PULL LEVER TO RELEASE HINGE

① Side Adjustment

② Depth Adjustment

③ Height Adjustment

G-Force™ Controlled Closing Device

Knurled screw adjusts closing force

Surface Cleaning

Ortho-Sys. ECO-Sys, D-Series, & E-Series

Belmont Recommends:

- *Countertop Magic*® for Laminate and Solid Surface Work Surfaces
- *Stone Clean and Polish Magic*® for Cambria Quartz Work Surfaces
- *Cabinet and Wood Magic*® for Laminate and Melamine Surfaces
- *Stainless Steel Magic*® for Stainless Steel Surfaces

Products available at Lowes®, Home Depot®, or @ www.magicamerican.com

Laminate/Melamine Surfaces

Clean surfaces with a damp cloth or sponge with a mild soap.

Stains may be removed with most non-abrasive household cleaners such as Formula 409®, Fantastik®, Glass Plus®, or Windex with Ammonia D®.

For tough stains, use a paste of baking soda and water and apply with a soft bristled brush. Although baking soda is a low abrasive, excessive scrubbing or exerting too much force may damage the decorative surface.

Many commercially available products contain substances that may damage or discolor the decorative surface. **Do not** use abrasive cleaners such as toilet bowl cleaners, hydrogen peroxide, oven cleaners, drain cleaners, metal cleaners and polishes, chlorine bleach, coffee pot cleaners, hard water stain removers, fruit and berry juice, tub and tile cleaners, or equivalent.

LG HI-MACS® Solid Surface Tops

Clean surfaces with a damp cloth or sponge with a mild soap.

Stains can easily be removed using a domestic all-purpose cleaner or for tough stains use a bleaching agent (**do not leave in contact with the work surface for more than five minutes**) and rinse with clean water.

Avoid using cleaning agents that contain acids, such as methyl chloride or acetone. Should one of these products accidentally come into contact with the material, as a precautionary measure, rinse the surface with soapy water to prevent any discoloring taking place.

For additional care/maintenance, visit: www.lghausys.com

Cambria® Quartz Work Surfaces

Clean surfaces with a damp cloth or sponge with a mild soap.

Do not use abrasive, strong alkaline, acid, free radicals, or oxidized cleaners (whether high, neutral or low pH). **Do not** use products such as bleach, oven cleaners, Comet®, Soft Scrub®, SOS®, products with pumice, batteries, paint removers, furniture strippers, or tarnish/silver cleaners. **Do not** use abrasive or harsh scrub pads. **Do not** apply sealers, penetrants or topical treatments, as such products will wear off and cause the gloss to appear dull or inconsistent.

For additional care/maintenance, visit: www.cambriausa.com