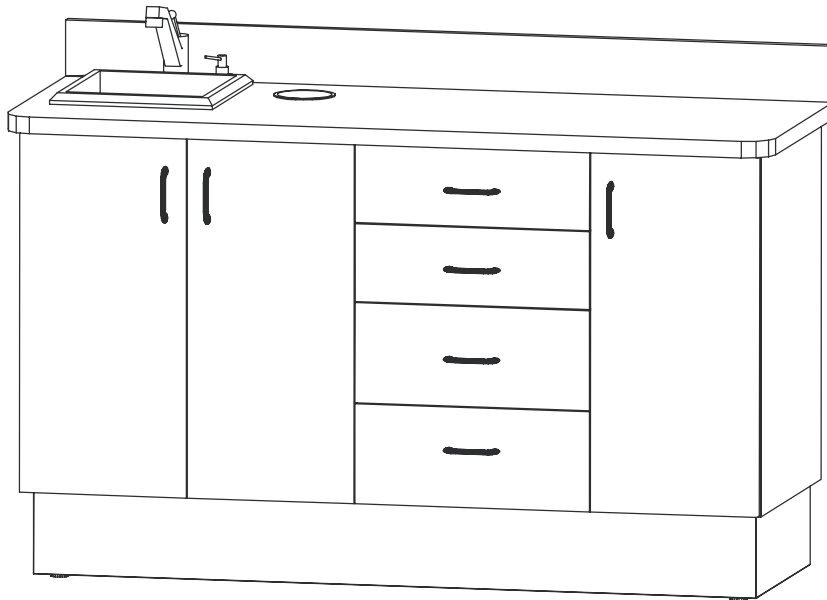


Installation Instructions & Owners Manual

**ECO-Sys Dental Cabinetry
Model: ECO-3**



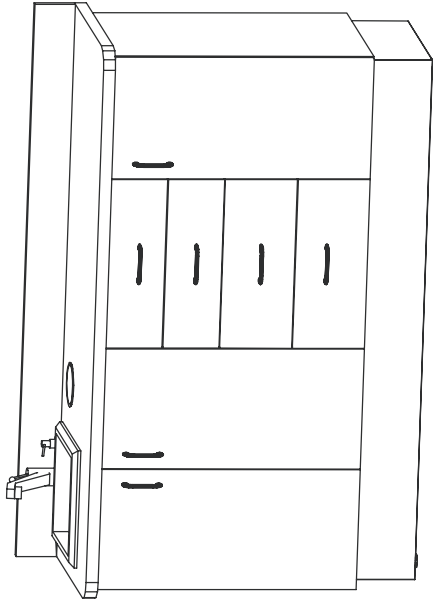
Consumer: Please retain these instructions for future use.



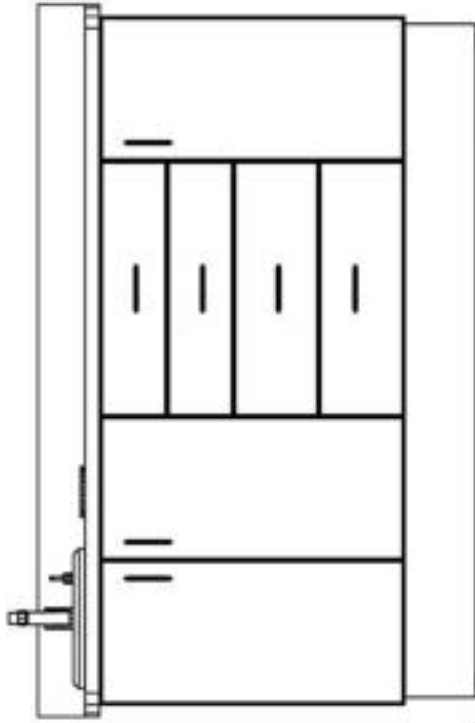
1631 Dr. Martin Luther King Drive
St. Louis, MO 63106
(314) 231-7383 (888) 833-3682
Fax (314) 621-2296
www.belmontequip.com

Description: ECO-3 SIDE CONSOLE

ECO-Sys Dental Cabinetry
Model: ECO-3



TOP VIEW



FRONT VIEW



RIGHT SIDE VIEW

General Cabinet Handling Information

Models: ECO-3

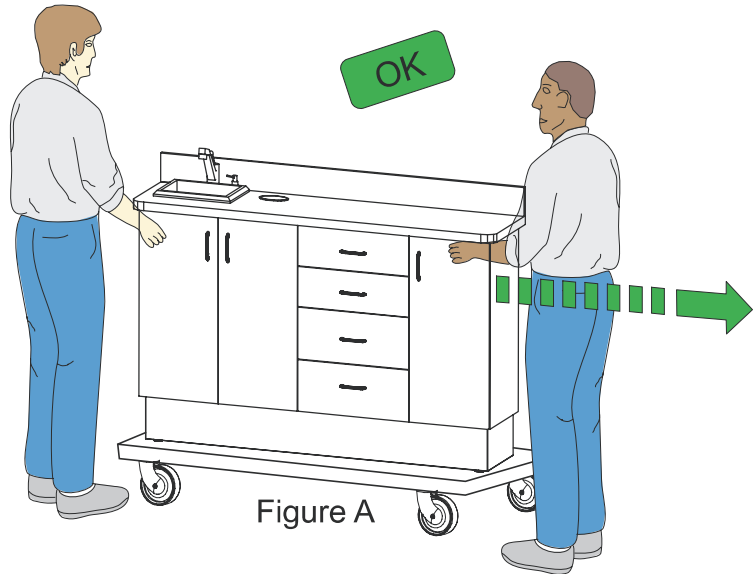


Figure A

Move by using some type of roller dolly, slings or a comparable moving aid. See Figure A and B.

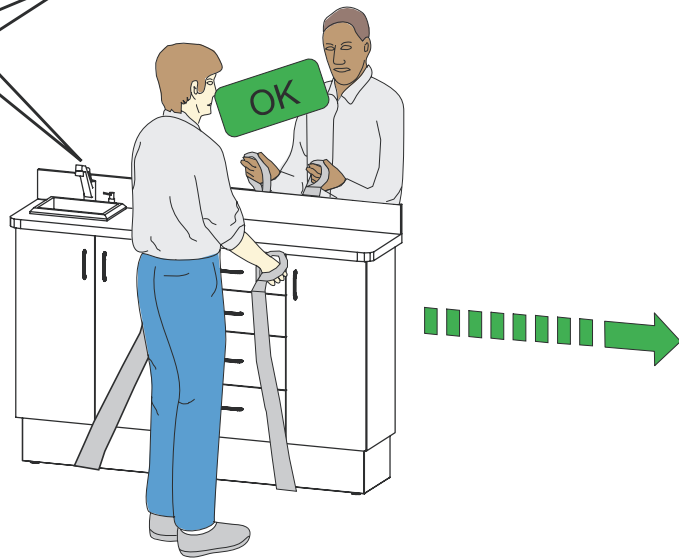
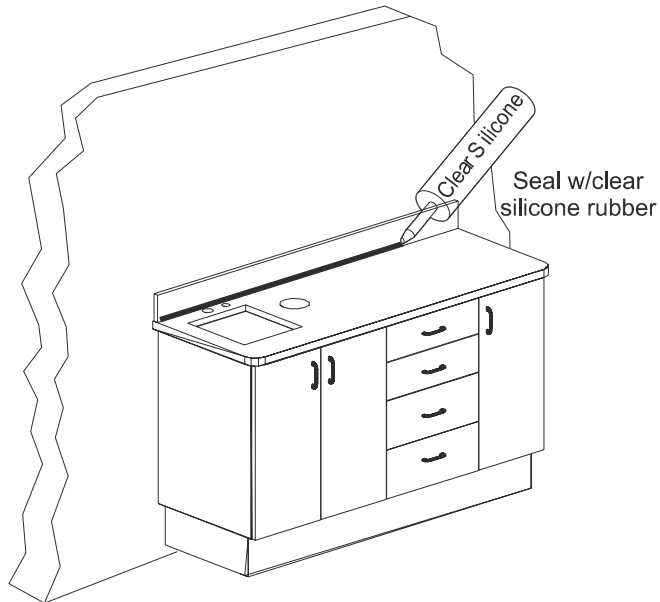
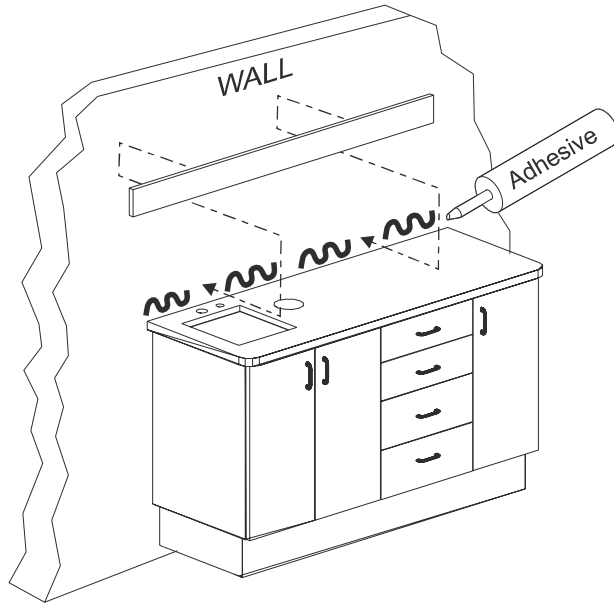


Figure B

Back Splash Mounting Model: ECO-3

**Note: Test fit pieces
prior to glueing
into place**



Hinge Adjustments

Model: ECO-3

Adjustment Instructions for Concealed Hinges and Drawers

3-Dimension Adjustment for Snap-On Hinge

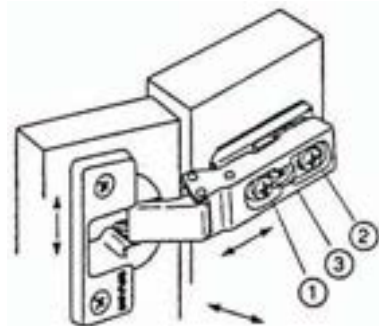
Note: Remove Cover Cap

Allows for three-way adjustments in the hinge arm.
The side adjustment is a micro adjustment. The depth and height adjustment is held by a grid system.

Use #2 POZIdrive screwdriver to adjust screws.

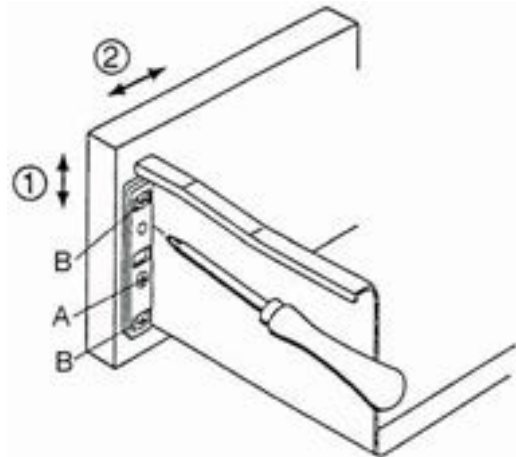
- 1 – Side adjustment
- 2 – Depth adjustment
- 3 – Height adjustment

Release Latch



Adjustment for Drawer

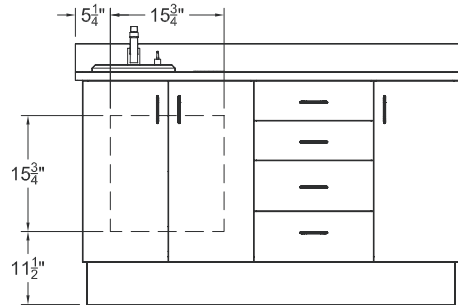
- 1 – Height adjustment: Loosen screws **B** slightly. Adjust screw **A** (adjustment +/- 2mm). Tighten screws **B**.
- 2 - Side adjustment: Loosen screws **B** slightly. Adjust front to required position (adjustment range +/- 1.5mm). Tighten screws **B**.



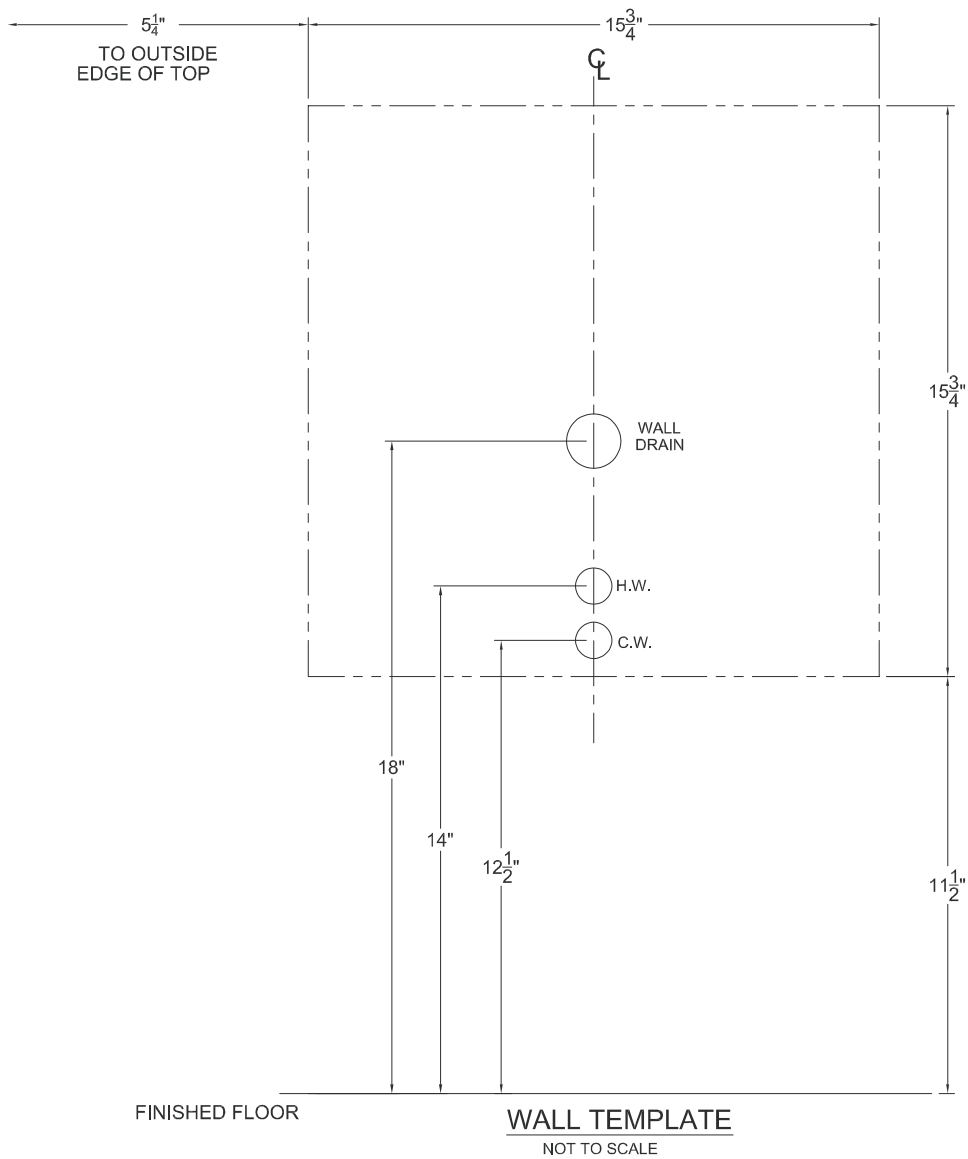
Wall Template

Model: ECO-3

ECO-3 WALL TEMPLATE REAR PLUMBING



FRONT VIEW
NOT TO SCALE

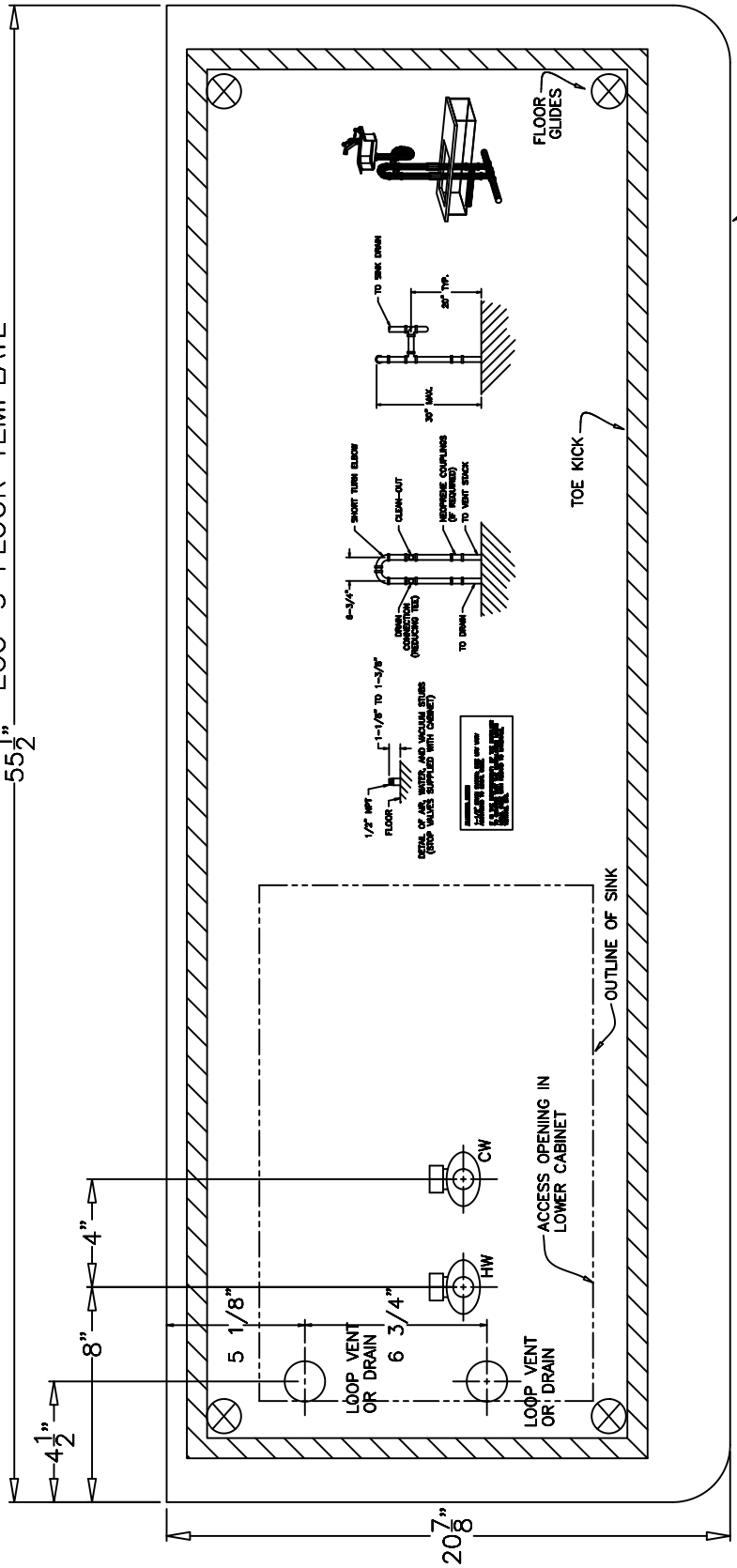


Floor Template

Model: ECO-3

ECO-3 FLOOR TEMPLATE

55 1/2"



Surface Cleaning

Ortho-Sys. ECO-Sys, D-Series, & E-Series

Belmont Recommends:

- *Countertop Magic*® for Laminate and Solid Surface Work Surfaces
- *Stone Clean and Polish Magic*® for Cambria Quartz Work Surfaces
- *Cabinet and Wood Magic*® for Laminate and Melamine Surfaces
- *Stainless Steel Magic*® for Stainless Steel Surfaces

Products available at Lowes®, Home Depot®, or @ www.magicamerican.com

Laminate/Melamine Surfaces

Clean surfaces with a damp cloth or sponge with a mild soap.

Stains may be removed with most non-abrasive household cleaners such as Formula 409®, Fantastik®, Glass Plus®, or Windex with Ammonia D®.

For tough stains, use a paste of baking soda and water and apply with a soft bristled brush. Although baking soda is a low abrasive, excessive scrubbing or exerting too much force may damage the decorative surface.

Many commercially available products contain substances that may damage or discolor the decorative surface. **Do not** use abrasive cleaners such as toilet bowl cleaners, hydrogen peroxide, oven cleaners, drain cleaners, metal cleaners and polishes, chlorine bleach, coffee pot cleaners, hard water stain removers, fruit and berry juice, tub and tile cleaners, or equivalent.

LG HI-MACS® Solid Surface Tops

Clean surfaces with a damp cloth or sponge with a mild soap.

Stains can easily be removed using a domestic all-purpose cleaner or for tough stains use a bleaching agent (**do not leave in contact with the work surface for more than five minutes**) and rinse with clean water.

Avoid using cleaning agents that contain acids, such as methyl chloride or acetone. Should one of these products accidentally come into contact with the material, as a precautionary measure, rinse the surface with soapy water to prevent any discoloring taking place.

For additional care/maintenance, visit: www.lghausys.com

Cambria® Quartz Work Surfaces

Clean surfaces with a damp cloth or sponge with a mild soap.

Do not use abrasive, strong alkaline, acid, free radicals, or oxidized cleaners (whether high, neutral or low pH). **Do not** use products such as bleach, oven cleaners, Comet®, Soft Scrub®, SOS®, products with pumice, batteries, paint removers, furniture strippers, or tarnish/silver cleaners. **Do not** use abrasive or harsh scrub pads. **Do not** apply sealers, penetrants or topical treatments, as such products will wear off and cause the gloss to appear dull or inconsistent.

For additional care/maintenance, visit: www.cambriausa.com