

Evogue Chair (Model Q3300)
Quolis Chair (Model Q5500)
PARTS LIST

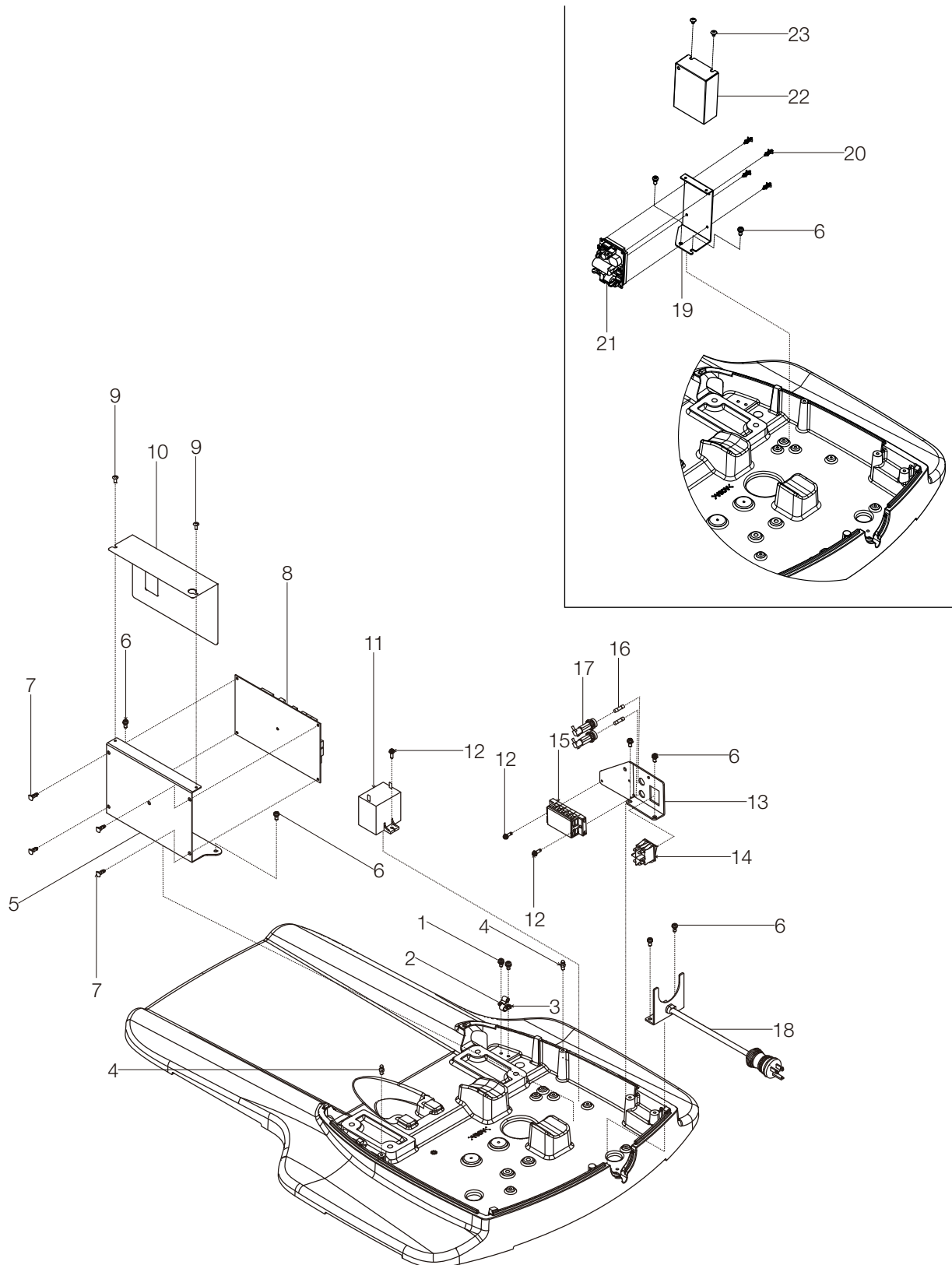
TABLE OF CONTENTS

	PAGE
1 . MOTOR SECTION -----	4
2 . BASE PLATE SECTION -----	6
3 . MAIN LINK SECTION -----	8
4 . FLANGE SECTION -----	10
5 . BACKREST & ARMREST SECTION -----	12
6 . RECLINING SECTION -----	14
7 . COVER FOR BASE SECTION -----	16
8 . COVER FOR BACKREST & HEADREST SECTION-----	18
9 . CORE MATERIAL SECTION-----	20
WIRING DIAGRAM	
1 . WIRING DIAGRAM FOR EVOGUE CHAIR (MODEL Q3300) -----	22
2 . WIRING DIAGRAM FOR QUOLIS CHAIR (MODEL Q5500) -----	23

NO.	PARTS NO.	DESCRIPTION	QTY	APPLICABLE SERIAL NO.	NOTE
1	AAFE57A0	OIL RESERVOIR	1		REFER TO C-32440
2	AAER85B0	BRACKET FOR OIL RESERVOIR	1		
3	AANK19B0	NUT FOR OIL RESERVOIR	1		
4	ZA887OSY	PAN HEAD SCREW M6x12 CHROME	1		
5	ABNH95B0	HOSE BAND	1		
6	AANO70B0	SPRING BAND CLAMP	2		
7	1G08RRA0	SOLENOID VALVE ASSY WITH BRACKET FOR Q3300	1		
8	ZA88JNRY	PAN HEAD SCREW M5x10 CHROME	1		
9	DEBR42A0	NYLON CLAMP 1/4	1		
10	ZA761P#Y	HEX SOCKET BOLT M8x15 CHROME	2		
11	ZB511PAY	SPRING WASHER M8 CHROME	2		
12	ZA887NRY	PAN HEAD SCREW M5x10 CHROME	5		
13	1P06UFA0	MOTOR PUMP ASSY	1		
14	1G096WA0	SOLENOID VALVE ASSY WITH BRACKET FOR Q5500	1		
15	AAND52B0	MOTOR RUBBER CUSHION	2		
16	1E009TA0	SPRING WASHER M8 CHROME	2		
17	1E08RAA0	RUBBER BASE FOR SOLENOID VALVE	1		
18	ZA88JLWY	PAN HEAD SCREW M4x20 CHROME	1		

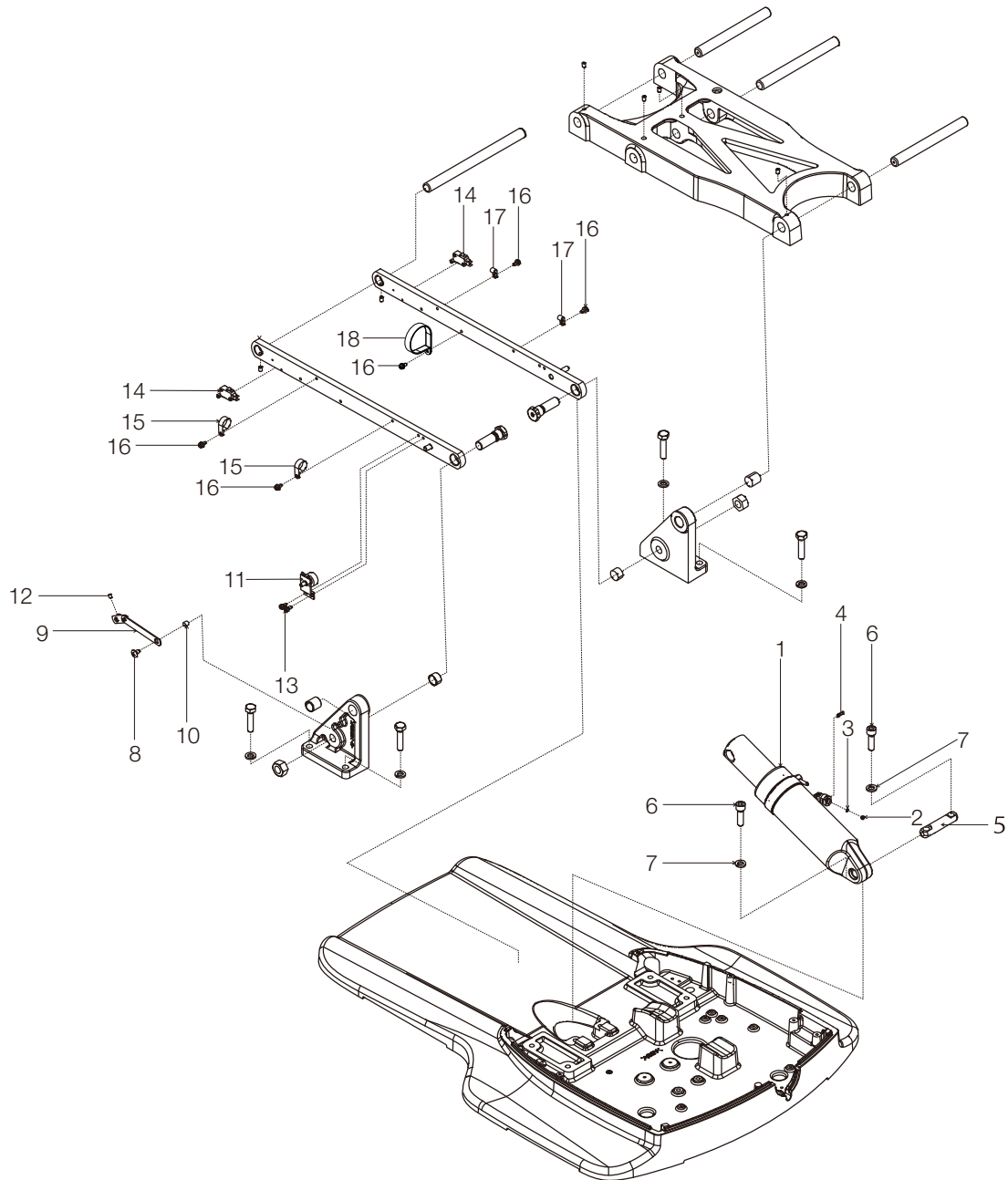
2. BASE PLATE SECTION

For model Q5500



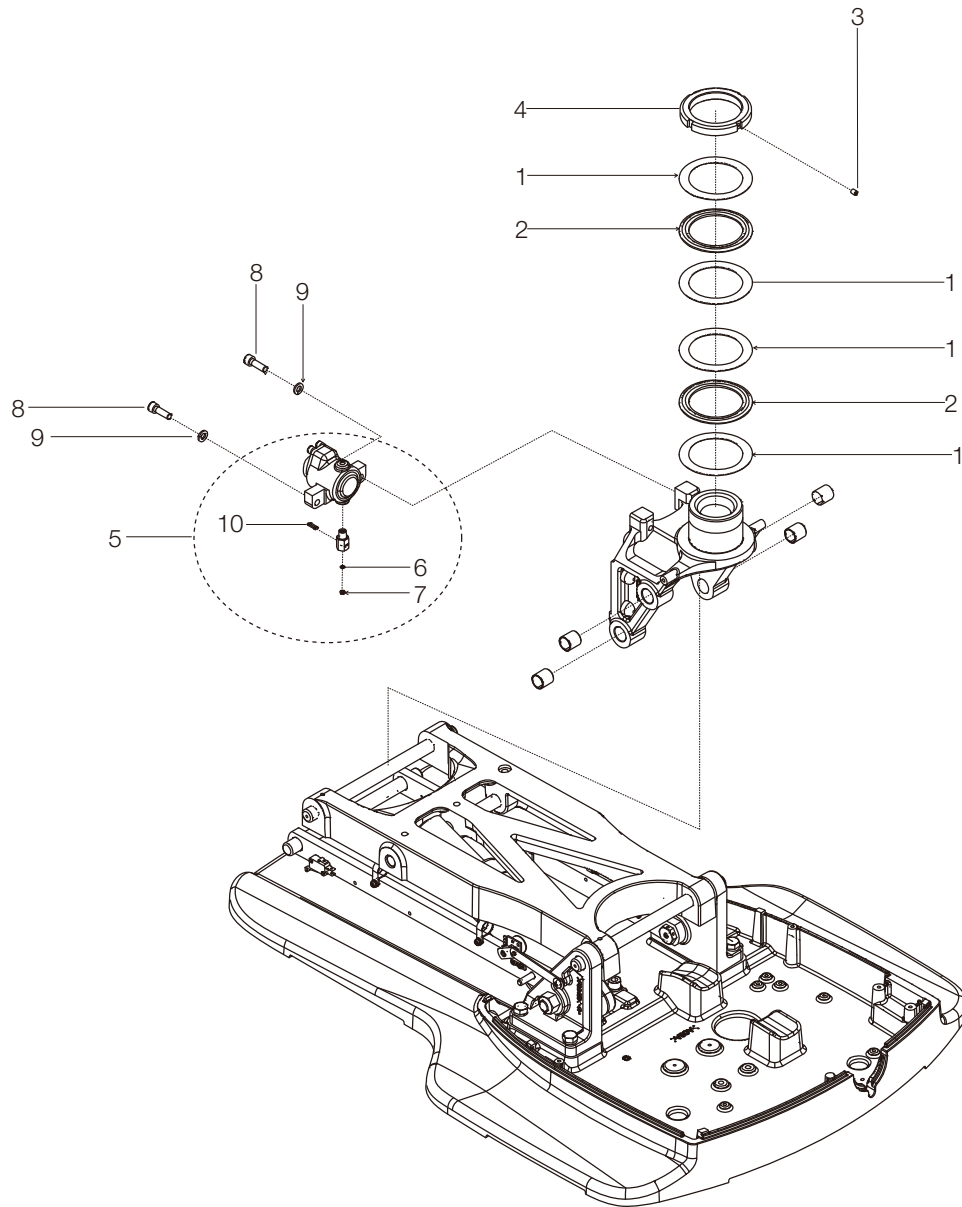
NO.	PARTS NO.	DESCRIPTION	QTY	APPLICABLE SERIAL NO.	NOTE
1	ZA88JNRY	PAN HEAD SCREW M5x10 CHROME	2		
2	X-50520	NYLON CLAMP 1/4	1		
3	F-33340	NYLON CLAMP 5/16	1		
4	1A0V5PA0	PIN FOR PUMP COVER	2		
5	1A0V59A0	BRACKET FOR PCB	1		
6	ZA887NRY	PAN HEAD SCREW M5x10 CHROME	6		
7	DESR05A0	SPACER	4		
8	1G08NSA0	CHAIR CONTROL PCB	1		
9	ZA114LRY	TRUSS HEAD SCREW M4x10 CHROME	2		
10	1A0V5AA0	COVER FOR PCB	1		
11	1E086GA0	MOTOR CAPACITOR	1		
12	ZA88JLTY	PAN HEAD SCREW M4x14 CHROME	3		
13	1A0V57A0	BRACKET FOR POWER SW	1		
14	AEIA06B0	SWITCH	1		
15	AEFZ34A0	TERMINAL	1		
16	AEFS11A0	FUSE	2		
17	AEFR92A0	FUSE HOLDER	2		
18	1G08RPA0	POWER CABLE WITH BRACKET	1		
19	1A0W35A0	BRACKET FOR CONTROL SWITCH LED PCB	1		
20	AETQ00A0	SPACER	4		
21	1G096ZA0	CONTROL SWITCH LED PCB	1		
22	1A0W36A0	COVER FOR CONTROL SWITCH LED PCB	1		
23	ZA114LNY	TRUSS M4x6 CHROME	2		

3. MAIN LINK SECTION



NO.	PARTS NO.	DESCRIPTION	QTY	APPLICABLE SERIAL NO.	NOTE
1	1G08SJA0	BASE CYLINDER ASSY FOR Q3300	1		
	AXBC56A0	BASE CYLINDER ASSY FOR Q5500			
2	AANF59B0	RETAINER RING	1		REFER TO BB06510
3	AEND86A0	O-RING P3	1		REFER TO BB01018
4	ABNL93B0	U-PIN	1		
5	AAFT43A0	BASE CYLINDER PIN	1		
6	ZA761Q1Y	HEX HEAD SCREW M10x35 CHROME	2		
7	ZB511QAY	SPRING WASHER M10 CHROME	2		
8	ZA114ORC	TRUSS M6x10 CHROME	1		
9	1G08SDA0	POTENTIOMETER LINK	1		
10	AEFS09A0	SPACER COLLAR	1		
11	1G08SNA0	POTENTIOMETER WITH HARNESS	1		
12	ZA774NNG	SET SCREW M5x6 BLACK	1		
13	ZA887NRY	PAN HEAD SEMS SCREW 2P M5x10 CHROME	2		
14	1G08S3A0	MICRO SWITCH	2		
15	X-50540	NYLON CLAMP 3/4	2		
16	ZA88JNRY	PAN HEAD SCREW M5x10 CHROME	5		
17	X-50520	NYLON CLAMP 1/4	2		
18	AEFY73A0	NYLON CLAMP	1		

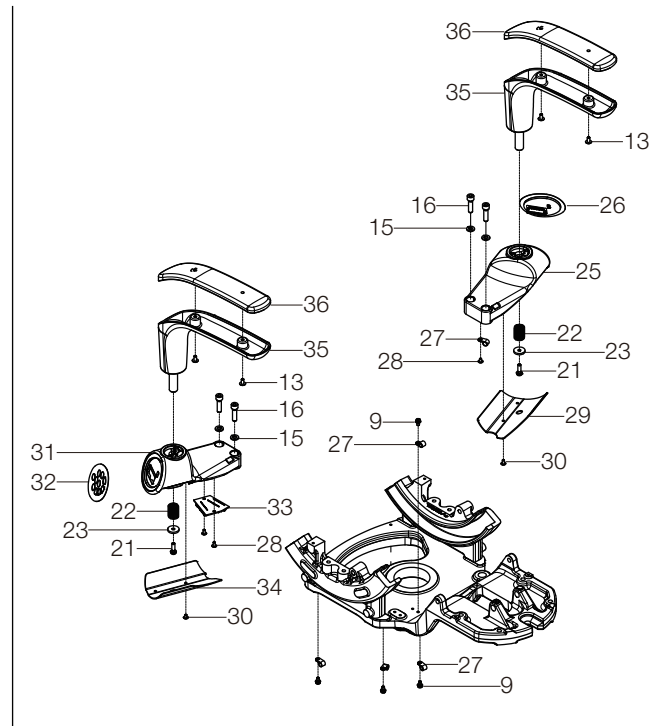
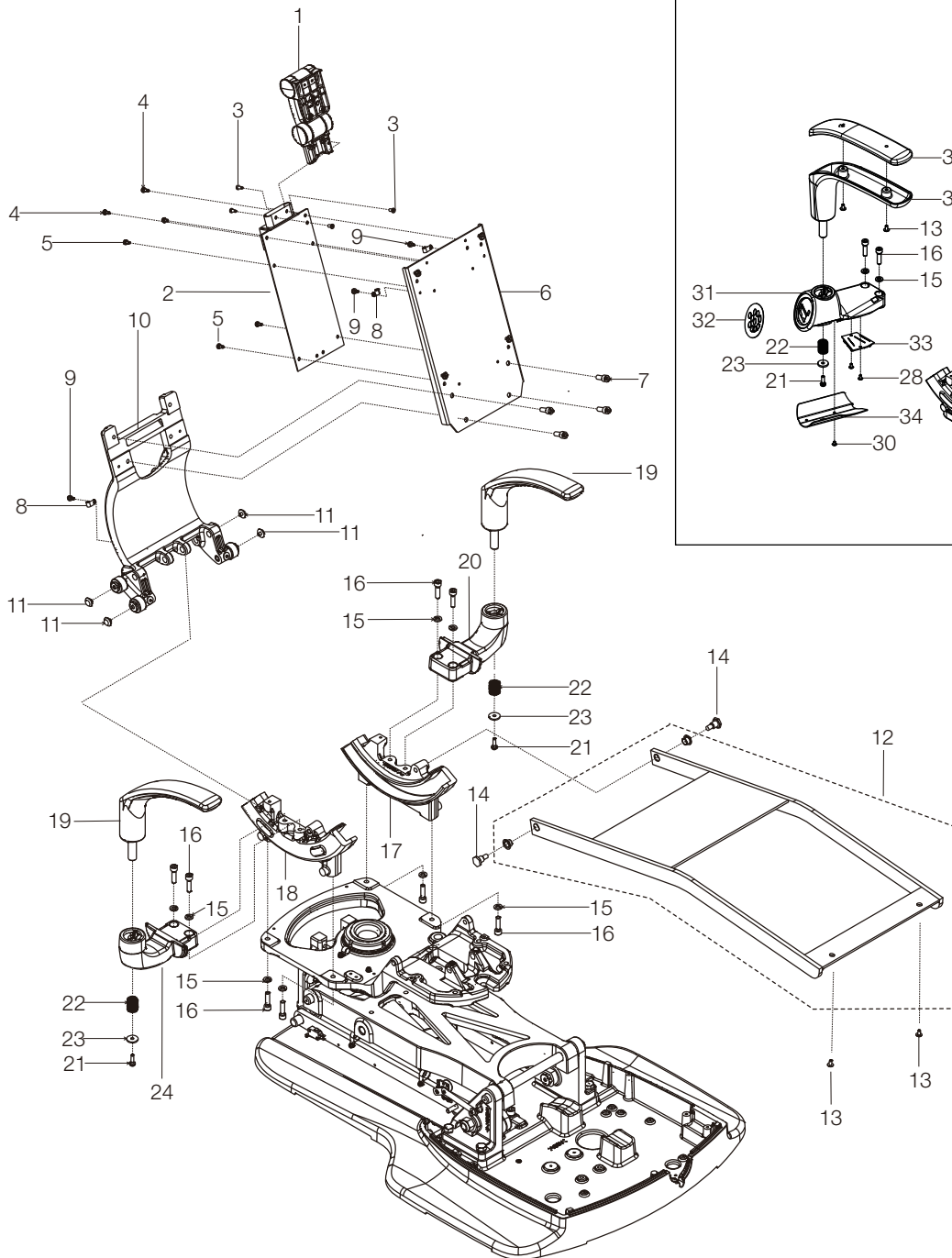
4. FLANGE SECTION



NO.	PARTS NO.	DESCRIPTION	QTY	APPLICABLE SERIAL NO.	NOTE
1	AFFR44A0	THRUST WASHER	4		
2	AFFR43A0	THRUST BEARING	2		
3	ZA776OPG	SET SCREW M6x8	1		
4	AAFT41A0	BEARING NUT M70	1		
5	1P06UMA0	ROTATION LOCK SYLINDER ASSY WITH NIPPLE	1		
6	AEND86A0	O-RING P3	1		REFER TO BB01018
7	AANF59B0	RETAINER RING	1		REFER TO BB06510
8	ZA761PYG	SOCKET HEAD CAP SCREW M8x25	2		
9	ZB511PAY	SPRING WASHER M8	2		
10	ABNL93B0	U-PIN	1		

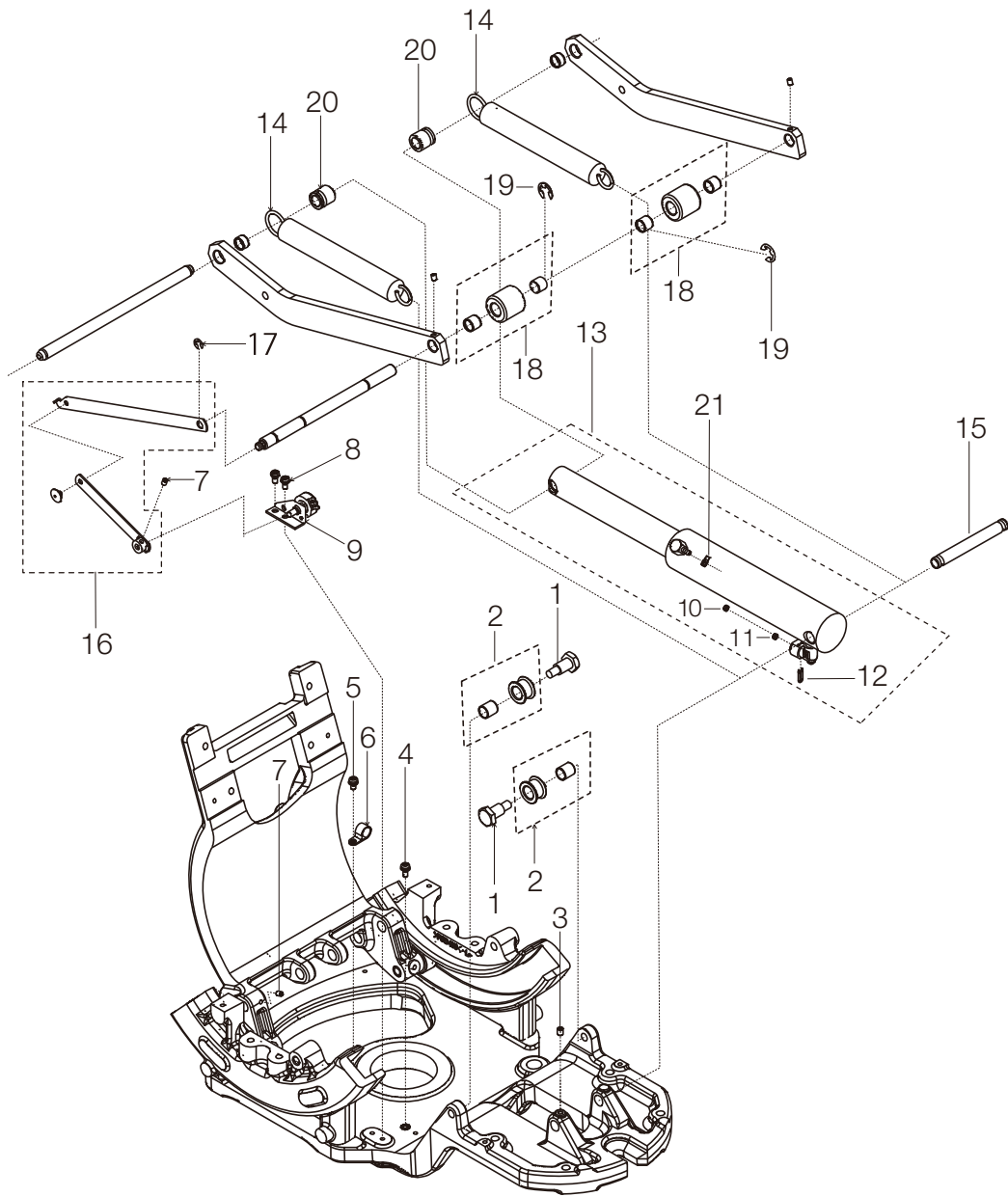
5. BACKREST & ARMREST SECTION

For model Q5500



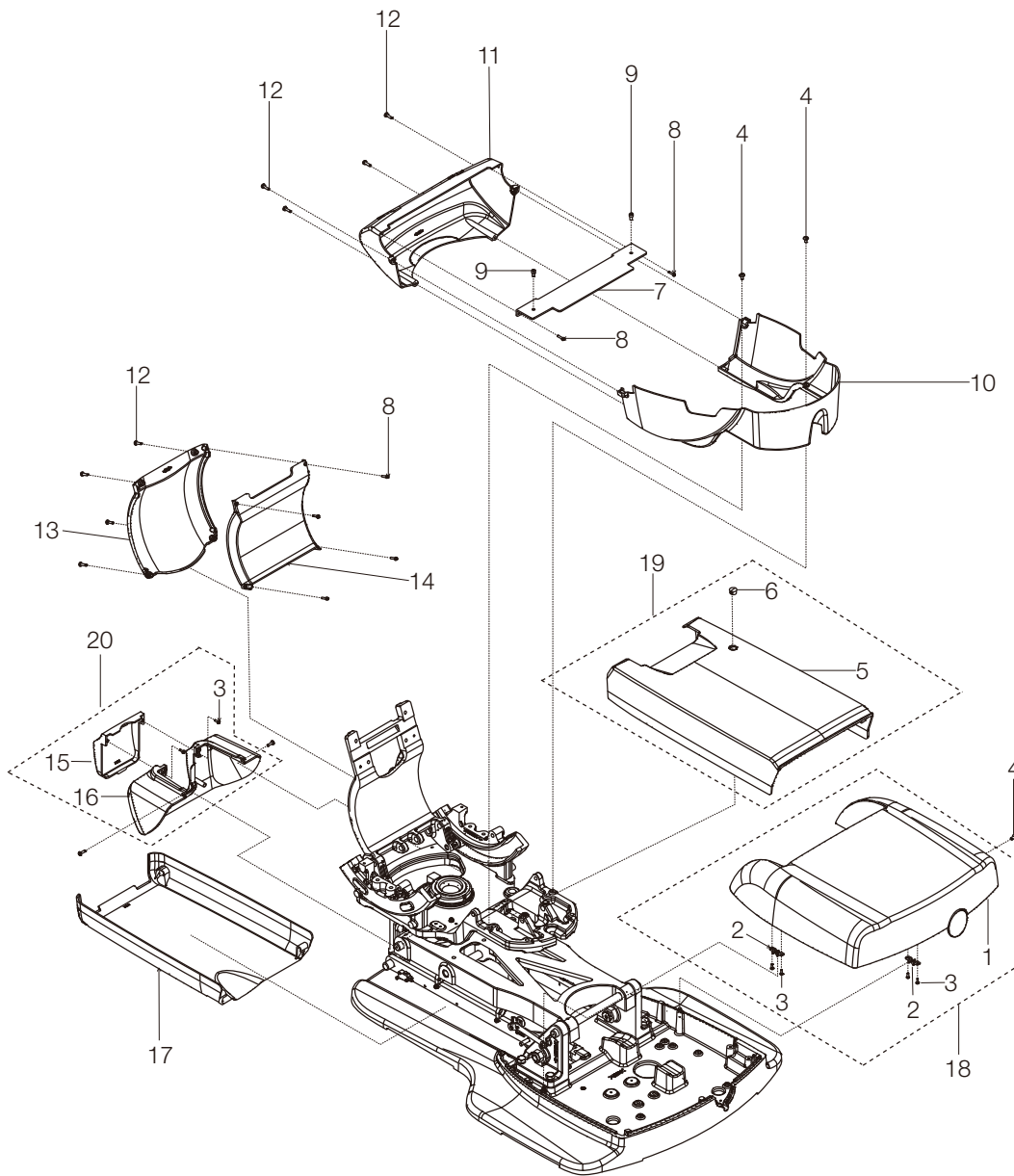
NO.	PARTS NO.	DESCRIPTION	QTY	APPLICABLE SERIAL NO.	NOTE
1	1G05PKG0	HEADREST MECHANISM FOR DOUBLE ARTICULATING	1		
2	1G05PLB0	HEADREST LIFTING SECTION FOR DOUBLE ARTICULATING	1		
3	1E059LA0	ULTRA LOW HEX SOCKET HEAD SCREW M5x8 SUS	4		
4	ZA887NRY	PAN HEAD SEMS SCREW 2P M5x10 CHROME	2		
5	ZA887NPY	PAN HEAD SEMS SCREW 2P M5x8 CHROME	4		
6	1A0V5RA0	BACKREST FRAME	1		
7	ZA761PWY	HEX SOCKET HEAD SCREW M8x20 CHROME	4		
8	X-50520	NYLON CLAMP 1/4	3		
9	ZA88JNRY	PAN HEAD SCREW M5x10 CHROME	3		
10	1P06UNA0	BACKREST SUPPORT BRACKET	1		
11	1A0VH8A0	SLIDER	4		
12	1G08SEA0	SEAT FRAME ASSY	1		
13	ZA114NRY	TRUSS M5x10 CHROME	2		
14	S-35100	SHOULDER BOLT	2		
15	ZB511PAY	SPRING WASHER M8 CHROME	8		
16	ZA761PZY	HEX SOCKET HEAD SCREW M8x30 CHROME	8		
17	1A0VH5A0	GUIDE RAIL L	1		
18	1A0VH4A0	GUIDE RAIL R	1		
19	AXEA78B0	ARMREST ASSY WITH PIN	2		
20	1A0V5XA0	ARMREST BRACKET LEFT	1		
21	ZA887OWY	PAN HEAD SEMS SCREW 2P M6x20 CHROME	2		
22	1A0V64A0	ARMREST COLLAR	2		
23	1E00A6A0	FLAT WASHER	2		
24	1A0V5WA0	ARMREST BRACKET RIGHT FOR Q3300	1		
25	1A0W70A0	ARMREST BRACKET LEFT FOR Q5500	1		
26	1G096XA0	CHAIR CONTROL SWITCH LEFT	1		
27	F-33340	NYLON CRAMP 5/16	5		
28	ZA114LNY	TRUSS M4x6 CHROME	3		
29	AAF63A0	ARMREST BRACKET COVER LEFT	1		
30	AECN83A0	TRUSS M4x6 WHITE	2		
31	1A0W71A0	ARMREST BRACKET COVER RIGHT FOR Q5500	1		
32	1G096YA0	CHAIR CONTROL SWITCH RIGHT	1		
33	AGFS12A0	DISTRIBUTION PCB	1		
34	AAF64A0	ARMREST BRACKET COVER RIGHT	1		
35	AXEA90A0	ARMREST BASE	2		
36	AAFE88A0	ARMREST CORE MATERIAL	2		

6. RECLINING SECTION



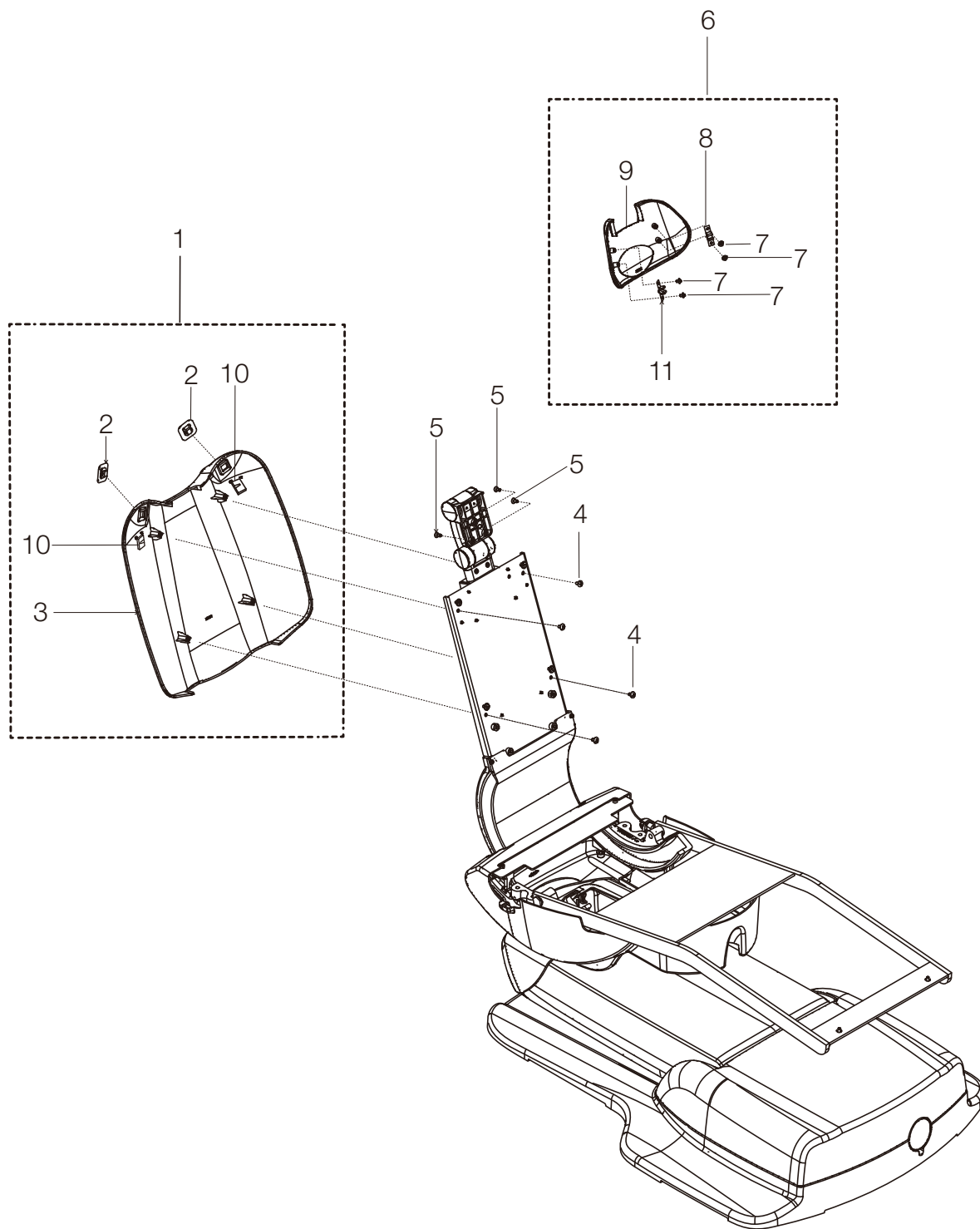
NO.	PARTS NO.	DESCRIPTION	QTY	APPLICABLE SERIAL NO.	NOTE
1	AAFR10A0	HEX BOLT M10x35	2		
2	AXBA23A0	ROLLER ASSY	2		
3	ZA776OPG	SET SCREW M6x8 BLACK	1		
4	ZA88JNRL	PAN HEAD SCREW M5x10 BRASS	1		
5	ZA88JNRY	PAN HEAD SCREW M5x10 CHROME	1		
6	X-50450	NYLON CLAMP 1/2	1		
7	ZA774NNG	SET SCREW M5x6 BLACK	1		
8	ZA887NRY	PAN HEAD SEMS SCREW 2P M5x10 CHROME	2		
9	1G08SPA0	POTENTIOMETER WITH BRACKET, HARNESS	1		
10	AANF59B0	RETAINER RING	1		REFER TO BB06510
11	AEND86A0	O-RING P3	1		REFER TO BB01018
12	ABNL93B0	U-PIN	1		
13	AXBC57A0	BACKREST CYLINDER ASSY WITH NIPPLE	1		
14	DATS30A0	RECLINING SPRING	2		
15	AAFT36A0	RECLINING SPRING PIN	1		
16	1G08VNA0	RECLINING POTENTIOMETER LINK ASSY	1		
17	ZG051OAG	E-RING M6 BLACK	1		
18	AXBA24A0	TILT ROLLER WITH BUSH	2		
19	ZG051QAG	E-RING M10 BLACK	2		
20	AASB92A0	SPRING COLLAR	2		
21	AEFS10A0	SPRING BAND	1		REFER TO X-79950

7. COVER FOR BASE SECTION



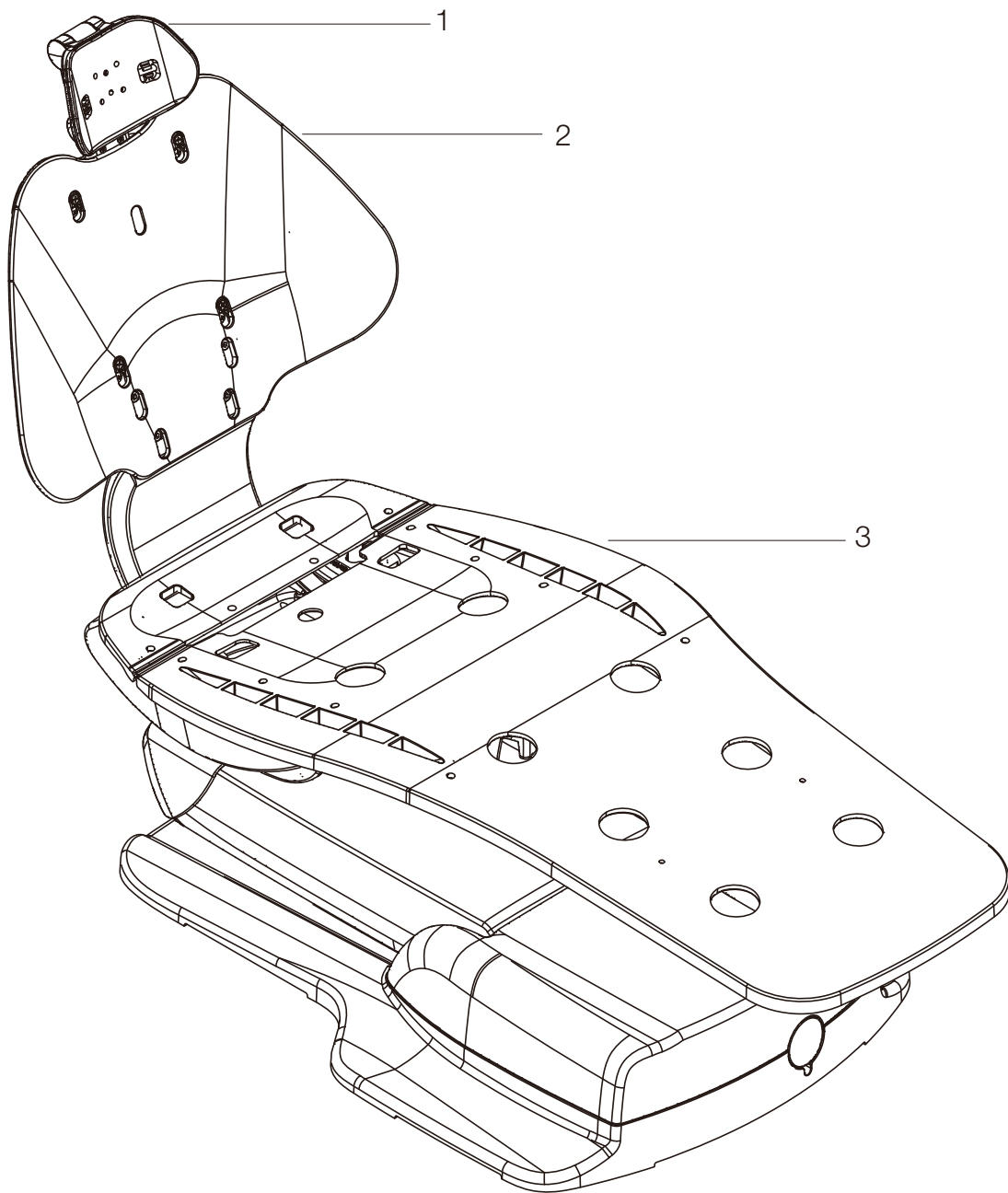
NO.	PARTS NO.	DESCRIPTION	QTY	APPLICABLE SERIAL NO.	NOTE
1	1A0V5GA0	PUMP COVER	1		
2	1A0V5QA0	PIN CATCHER	2		
3	AFFX58A0	PAN HEAD TAPPING SCREW TYPE-P M4x10 CHROME	6		
4	ZA114NRY	TRUSS M5x10 CHROME	3		
5	1A0V5KA0	MAIN LINK COVER	1		
6	DEQR72A0	HOLE PLUG	1		
7	1A0VH7A0	FLANGE UPPER COVER PLATE	1		
8	AFFX59A0	PAN HEAD SCREW P M4x16 CHROME	6		
9	ZA761NPG	HEX SOCKET HEAD SCREW M5x8 BLACK	2		
10	1A0VNUA0	FLANGE FRONT COVER	1		
11	1A0VNTA0	FLANGE REAR COVER	1		
12	ZA111N#Y	PAN HEAD SCREW M5x15 CHROME	10		
13	1A0VNRA0	BACK SUPPORT REAR COVER	1		
14	1A0VNSA0	BACK SUPPORT FRONT COVER	1		
15	1A0V5NA0	FLANGE LOWER COVER CENTER	1		
16	1A0V5MA0	FALNGE LOWER COVER	1		
17	1A0V5LA0	SUB LINK COVER	1		
18	1G08S0A0	PUMP COVER ASSY	1		
19	1P06UEA0	MAIN LINK COVER ASSY	1		
20	1P06URA0	FLANGE LOWER COVER ASSY	1		

8. COVER FOR BACKREST & HEADREST SECTION



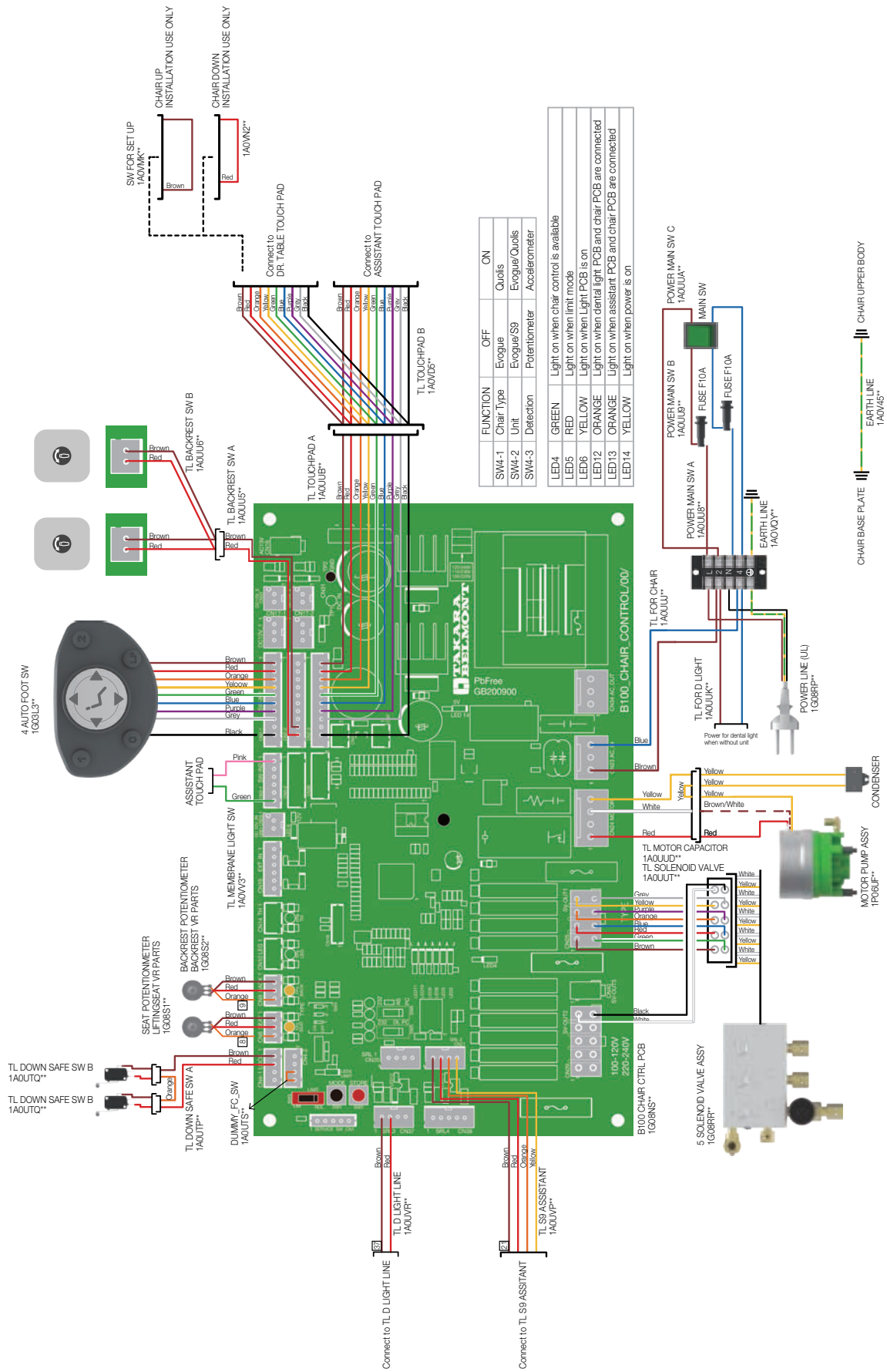
NO.	PARTS NO.	DESCRIPTION	QTY	APPLICABLE SERIAL NO.	NOTE
1	1G08SMA0	BACKREST COVER ASSY FOR Q3300	1		
	1A0VPAA0	BACKREST COVER ASSY FOR Q5500			
2	1G08STA0	CHAIR CONTROL SWITCH	2		
3	1A0V5SA0	BACKREST COVER	1		
4	ZA114NRY	TRUSS M5x10 CHROME	4		
5	ZA112NPY	FLAT HEAD SCREW M5x8 CHROME	3		
6	1G08SFA0	HEADREST COVER ASSY	1		
7	ZA114LNY	TRUSS M4x6 CHROME	4		
8	1A075XA0	CLIP	2		
9	1A0V61A0	HEADREST REAR COVER	1		
10	AESO18A0	WIRE FIXING BRACKET	2		

9. CORE MATERIAL SECTION

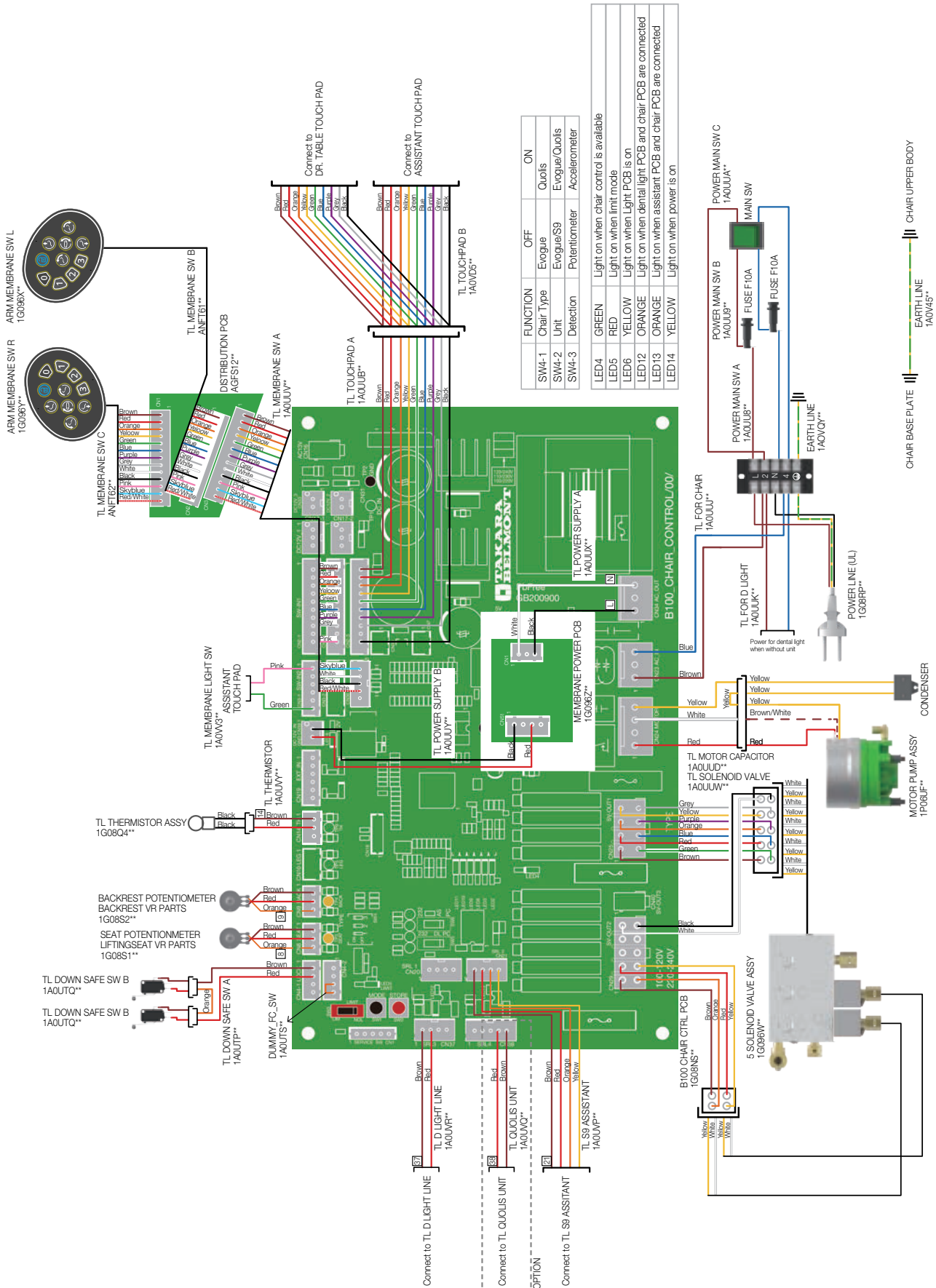


NO.	PARTS NO.	DESCRIPTION	QTY	APPLICABLE SERIAL NO.	NOTE
1	1A0GGVA0	HEADREST CORE MATERIAL	1		
2	1A0V62A0	BACKREST CORE MATERIAL FOR Q3300 FOR WIDE TYPE	1		
	AAFB77B0	BACKREST CORE MATERIAL FOR NARROW TYPE			
	AAFB76C0	BACKREST CORE MATERIAL FOR Q5500 FOR WIDE TYPE			
3	1A0V63A0	SEAT CORE MATERIAL	1		

1. WIRING DIAGRAM FOR EVOGUE CHAIR (MODEL Q3300)



2. WIRING DIAGRAM FOR QUOLIS CHAIR (MODEL Q5500)



REVISION RECORD

DATE		CONTENT
10-May-22	1st	Publish
25-Jul-22	2nd	Add wiring diagram



Importer in U.S.A.

BELMONT EQUIPMENT,

Division of Takara Belmont USA, Inc.

101 Belmont Drive, Somerset, New Jersey 08873 U.S.A.

TEL.: (732) 469-5000 / (800) 223-1192

FAX.: (732) 356-1035

Importer in Canada

TAKARA COMPANY, CANADA, LTD.

2455 Meadowvale Blvd. Mississauga, Ontario L5N 5S2, Canada

TEL : (905) 816-8965

www.belmont.ca

BELMONT MANUFACTURING CO., LTD.
(Manufacturer)



Lot I-2, Long Duc Industrial Park, Long Duc Ward,
Long Thanh District, Dong Nai Province, Vietnam

TEL.: +84-2513-201-100 / FAX.: +84-2513-201-096