



**Evogue**  
EVG Delivery System

# Evogue

## EVG Delivery System

Outstanding Instrument flexibility provides operator comfort during procedures.



### Delivery Head Utility

Delivery head pivots from its center, offering a 90°-to-90° rotation. This supports efficiency and comfortable positioning of the delivery system handpieces for the doctor, in relation to the patient.

### Seat Positioning Access

Built-in seat positioning membrane control touchpad is centrally located on the delivery head, so left- and right-handed doctors have easy, line-of-sight access to controls during patient treatment.

### Water Supply System

A self-contained bottled water system gives operators control over water source quality used during treatment procedures. Water bottles are easily removed, refilled, and replaced with a quick disconnect feature.

EVG3573B & EVG3800B

EVG3500Q & EVG3535N

EVG3510B & EVG3535N



EVG swing-mounted delivery and assistant instrument option with Clesta LED Light on a B50N chair.



EVG over-the-patient delivery system and assistant instruments with PMU and cuspidor, with Clesta LED dental light option, mounted on a Q5000 chair.



EVG over-the-patient delivery system and assistant instruments with PMU, with Clesta LED light option, mounted on a B50N chair.

\*Additional accessories also shown.



## Integration

Optional accessories, such as a micromotor, handpiece fiberoptics, and scaler can be seamlessly integrated onto the delivery head, reducing operatory clutter.



## Cleanliness

Unique, assistant instrument arm hose tender on traditional over-the-patient delivery models keeps vacuum and syringe hoses clean, off of the floor and out of the operator's way.



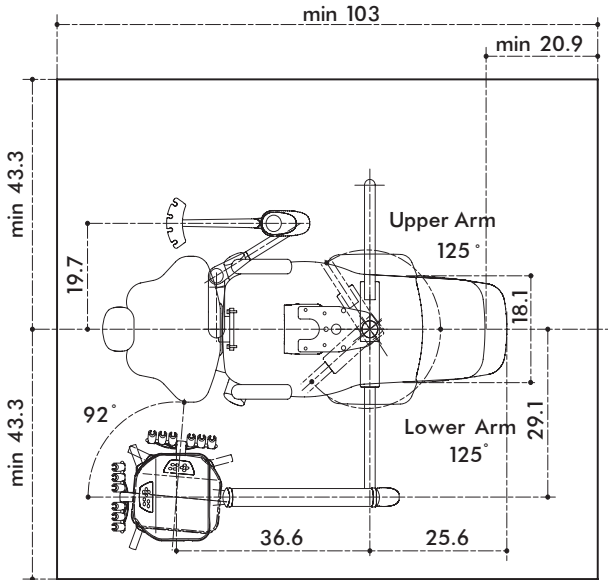
## Multiple Configurations

EVG is available in swing-mount, over-the-patient, and rear cabinet-mounted configurations, specifically complementing the functions of Belmont's D66CM, K66, and ECO6 cabinets.



Swing Mounted Delivery System with Vac Pac and CLESTA LED Light and Quolis Chair

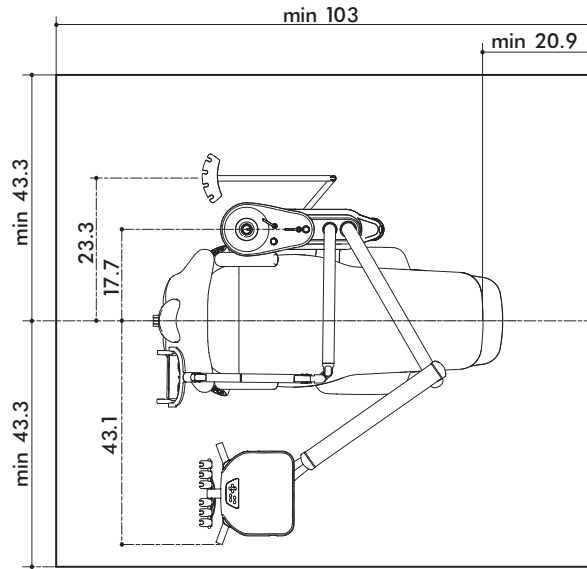
Dimensions



Minimum dimension for change to right and left position excluding treatment space.

Over The Patient Delivery System with Cuspidor and CLESTA LED Light and Quolis Chair

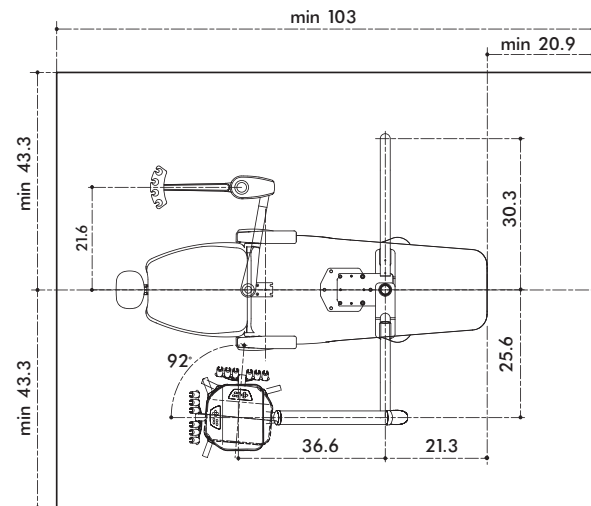
Dimensions



Minimum dimension excluding treatment space.

Swing Mounted Delivery System with Vac Pac and CLESTA LED Light and B50N Chair

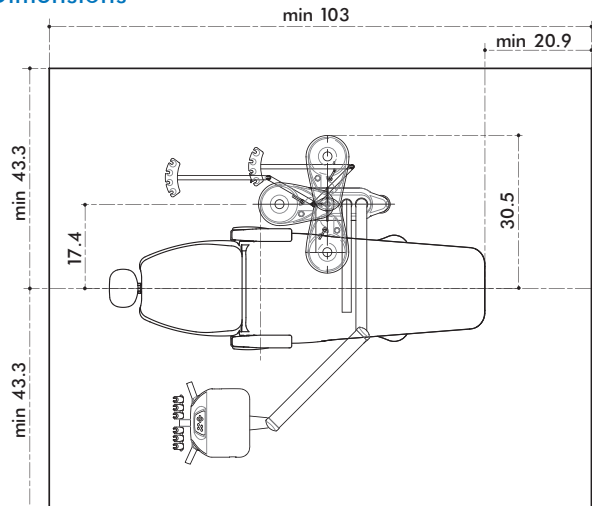
Dimensions



Minimum dimension for change to right and left position excluding treatment space.

Over The Patient Delivery System with Cuspidor and CLESTA LED Light and B50N Chair

Dimensions



Minimum dimension excluding treatment space.

Belmont Equipment  
101 Belmont Drive  
Somerset, NJ 08873  
(800) 223-1192  
www.belmontequip.com

Takara Company Canada Ltd.  
2076 South Sheridan Way  
Mississauga, ON  
L5J 2M4, Canada  
(800) 268-5351  
dental.takarabelmont.ca

**Belmont**  
Delivering Value in Quality

@BelmontEquipUS

