

# ***Installation Instructions & Owners Manual***

**Ortho-Sys Dental Cabinetry  
Models: OC-200/OC-400**



**OC-200**



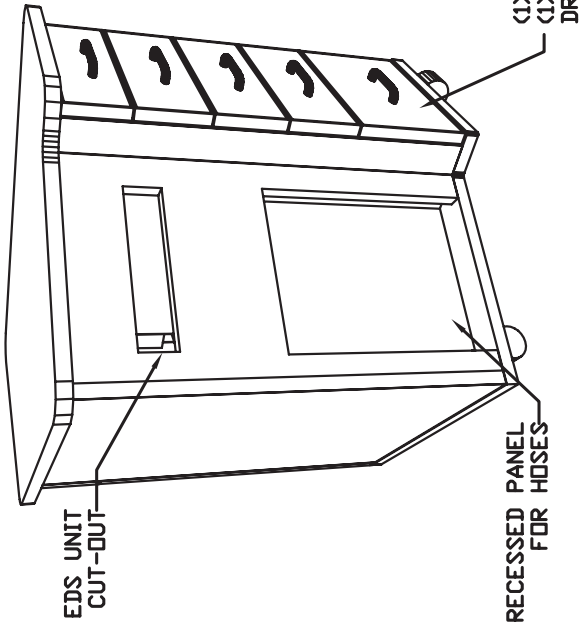
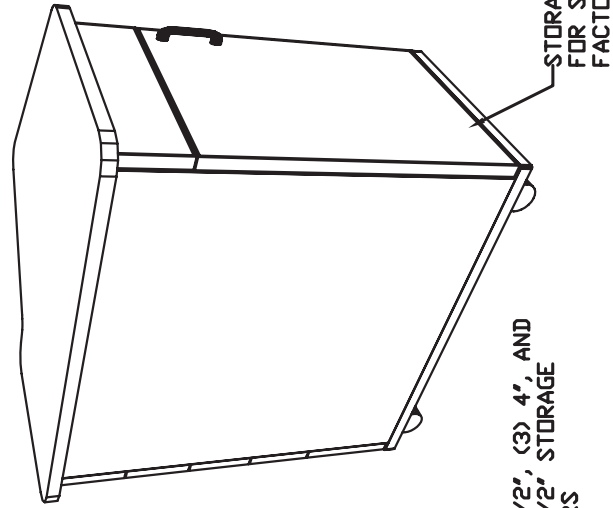
**OC-400**

**Consumer: Please retain these instructions for future use.**

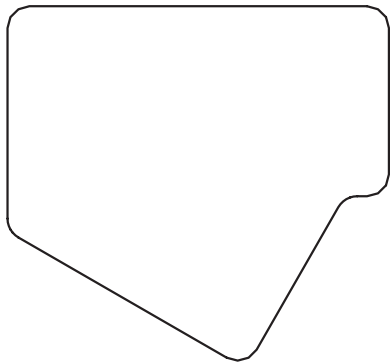


1631 Dr. Martin Luther King Drive  
St. Louis, MO 63106  
(314) 231-7383 (888) 833-3682  
Fax (314) 621-2296  
[www.belmontequip.com](http://www.belmontequip.com)

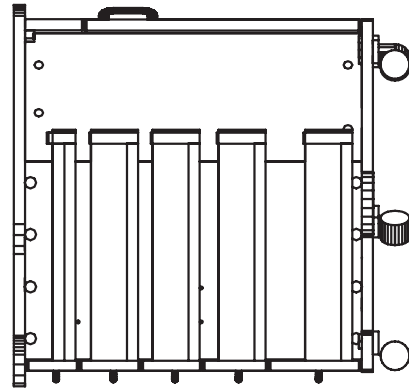
# Ortho-Sys Dental Cabinetry OC-200 Mobile Cart



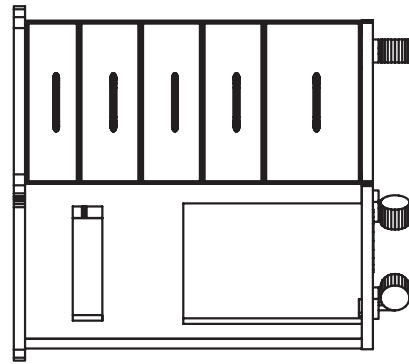
## ISOMETRIC VIEWS



## TOP VIEW

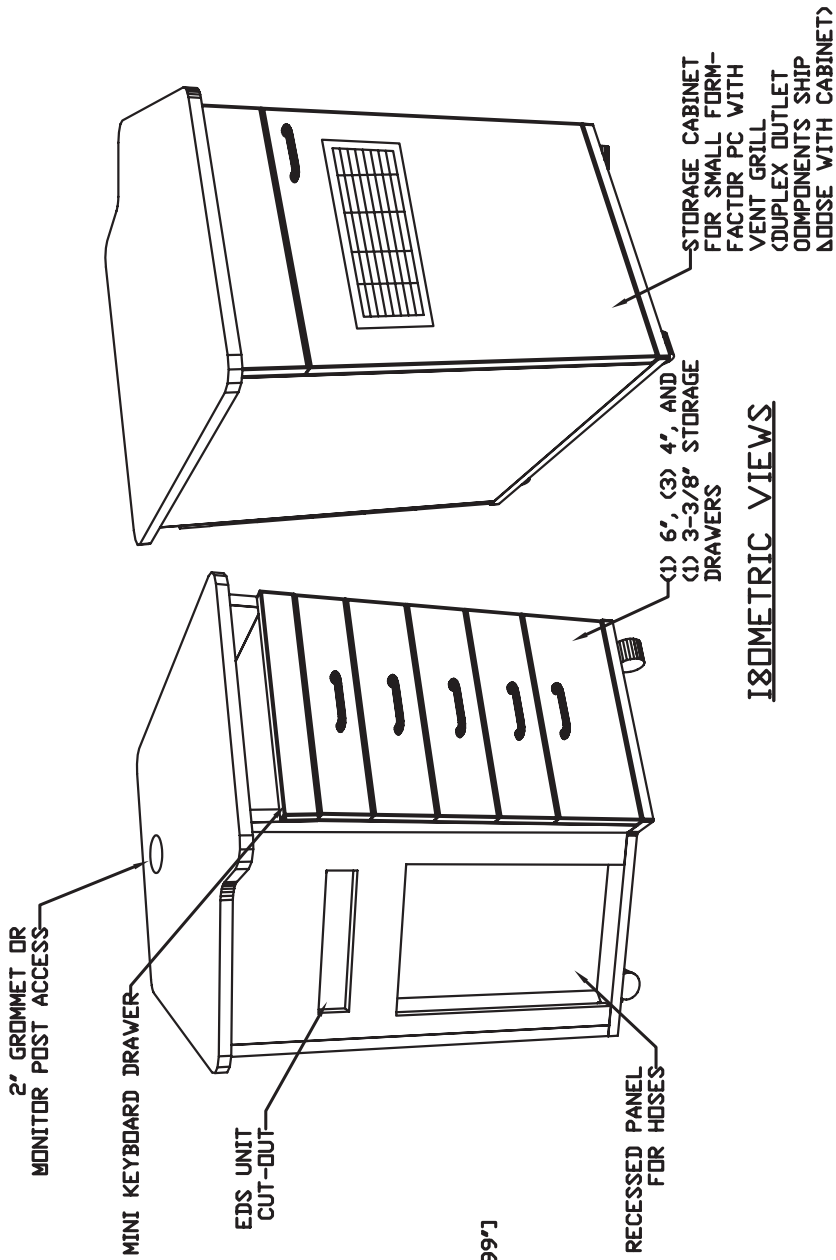


## RIGHT SECTION VIEW

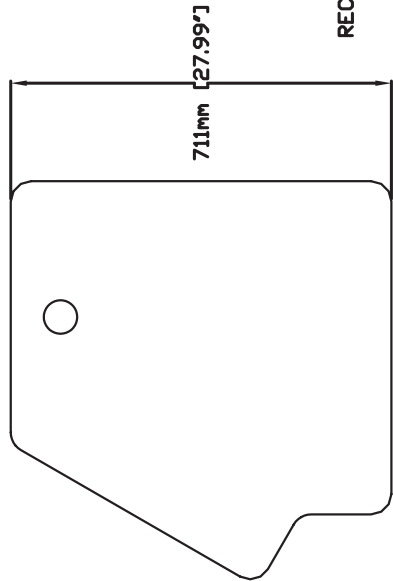


## FRONT VIEW

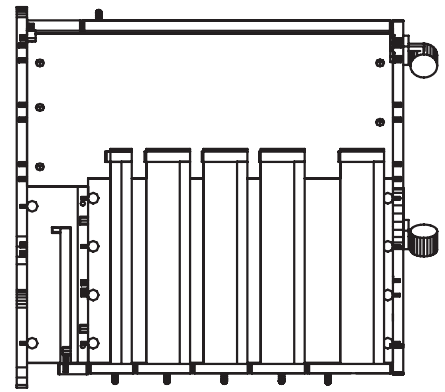
# Ortho-Sys Dental Cabinetry OC-400 Mobile Cart



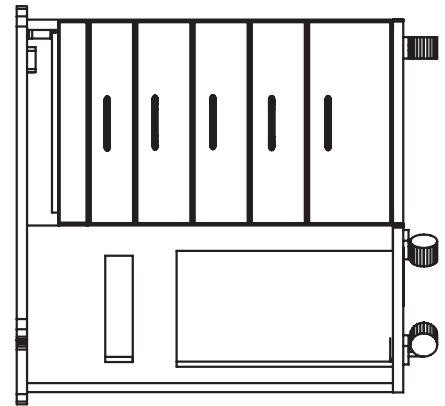
## ISOMETRIC VIEWS



## TOP VIEW



## RIGHT SECTION VIEW



## FRONT VIEW

# Ortho-Sys Installation Instructions

## Step 1:

Gently lay the Ortho Mobile Cart as shown below not to damage any of the pulls.

## Step 2:

Locate pilot holes for each caster. Notice (2) holes for each caster have nutserts. Line up each caster with the (4) holes and use (2) machine screws for nutserts and (2) wood screws to attach each caster to bottom of cart (See below).

## Step 3:

Return cart to its upright position.

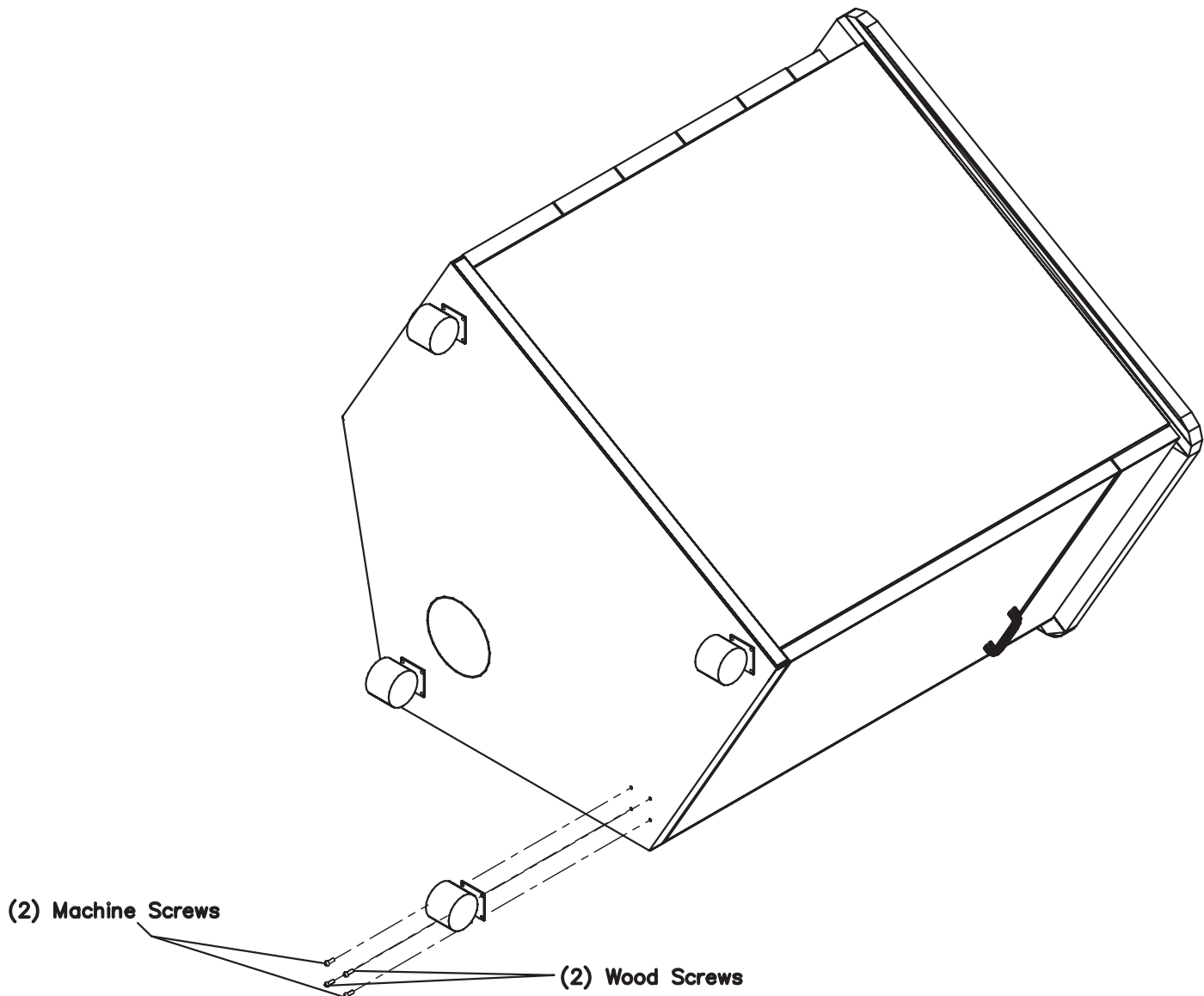
## Step 4:

Install EDS-5062V/EDS-5063V according to documentation included with unit. Installation complete.

Note: The OC-400 includes an Outlet Kit that can be installed in a desired location once all components are installed.

## Maintenance:

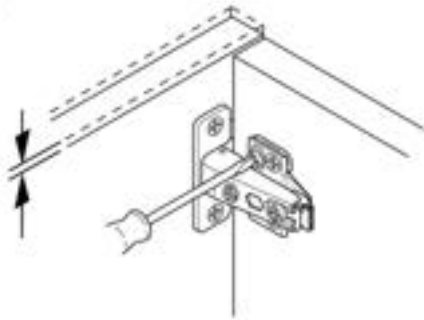
Casters should be cleaned regularly and screws checked for tightness.



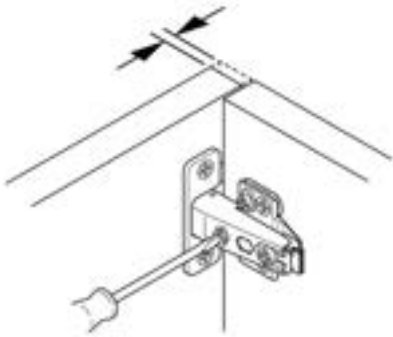
# Ortho-Sys Dental Cabinetry Door/Drawer Adjustments

## Hinge Adjustment For Standard Doors

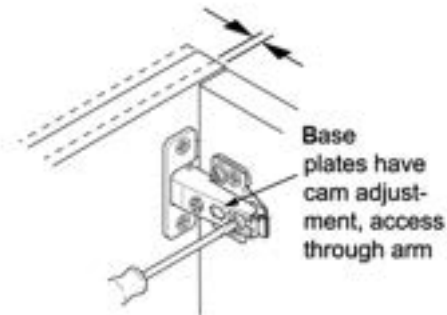
### Height



### Side

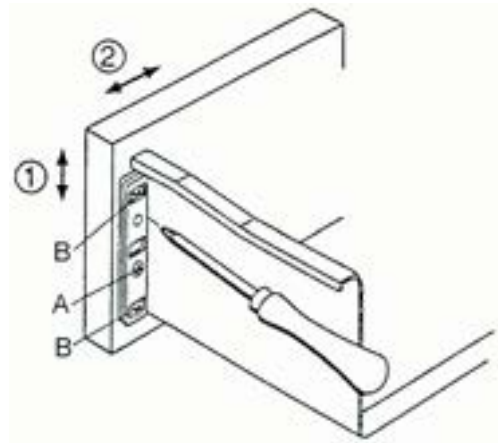


### Depth



## Adjustment for Drawer

- 1 – Height adjustment: Loosen screws **B** slightly. Adjust screw **A** (adjustment +/- 2mm). Tighten screws **B**
- 2 - Side adjustment: Loosen screws **B** slightly. Adjust front to required position (adjustment range +/- 1.5mm). Tighten screws **B**



# Surface Cleaning

Ortho-Sys. ECO-Sys, D-Series, & E-Series

## Belmont Recommends:

- *Countertop Magic*® for Laminate and Solid Surface Work Surfaces
- *Stone Clean and Polish Magic*® for Cambria Quartz Work Surfaces
- *Cabinet and Wood Magic*® for Laminate and Melamine Surfaces
- *Stainless Steel Magic*® for Stainless Steel Surfaces

Products available at Lowes®, Home Depot®, or @ [www.magicamerican.com](http://www.magicamerican.com)

## Laminate/Melamine Surfaces

Clean surfaces with a damp cloth or sponge with a mild soap.

Stains may be removed with most non-abrasive household cleaners such as Formula 409®, Fantastik®, Glass Plus®, or Windex with Ammonia D®.

For tough stains, use a paste of baking soda and water and apply with a soft bristled brush. Although baking soda is a low abrasive, excessive scrubbing or exerting too much force may damage the decorative surface.

Many commercially available products contain substances that may damage or discolor the decorative surface. **Do not** use abrasive cleaners such as toilet bowl cleaners, hydrogen peroxide, oven cleaners, drain cleaners, metal cleaners and polishes, chlorine bleach, coffee pot cleaners, hard water stain removers, fruit and berry juice, tub and tile cleaners, or equivalent.

## LG HI-MACS® Solid Surface Tops

Clean surfaces with a damp cloth or sponge with a mild soap.

Stains can easily be removed using a domestic all-purpose cleaner or for tough stains use a bleaching agent (**do not leave in contact with the work surface for more than five minutes**) and rinse with clean water.

Avoid using cleaning agents that contain acids, such as methyl chloride or acetone. Should one of these products accidentally come into contact with the material, as a precautionary measure, rinse the surface with soapy water to prevent any discoloring taking place.

For additional care/maintenance, visit: [www.lghausys.com](http://www.lghausys.com)

## Cambria® Quartz Work Surfaces

Clean surfaces with a damp cloth or sponge with a mild soap.

**Do not** use abrasive, strong alkaline, acid, free radicals, or oxidized cleaners (whether high, neutral or low pH). **Do not** use products such as bleach, oven cleaners, Comet®, Soft Scrub®, SOS®, products with pumice, batteries, paint removers, furniture strippers, or tarnish/silver cleaners. **Do not** use abrasive or harsh scrub pads. **Do not** apply sealers, penetrants or topical treatments, as such products will wear off and cause the gloss to appear dull or inconsistent.

For additional care/maintenance, visit: [www.cambriausa.com](http://www.cambriausa.com)