



**PHOT-X IIS**  
DC Intraoral X-ray

# PHOT-xlIs

## DC Intraoral X-ray

Crisp imaging and ease of use makes the PHOT-xlIs an integral part of any dental practice.

### Control Module

Easy to use and compact microprocessor control module includes kV, mA, patient type, tooth type, cone type, film speed, exposure time and digital-ready selection switches. Automatic and manual modes are provided for optimal selection of parameters for each patient and tooth type.

### Patient Cares

High frequency x-ray generator minimizes patient exposure to radiation. Air kerma readout feature aides operatory staff with monitoring exposure radiation for patient safety.

### Image Clarity

Small 0.4mm focal spot produces detailed diagnostic imaging.





## ■ Sensor Holder

---

Standard sensor holder pairs nicely with optional BelLink wireless interface for digital sensors (sensor not included, check for compatibility).



## ■ Practicality

---

Small, lightweight x-ray head facilitates easy positioning.



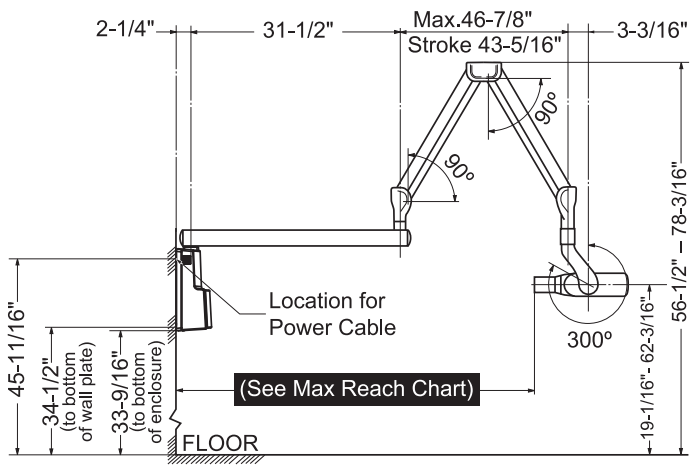
## ■ Mounting Options

---

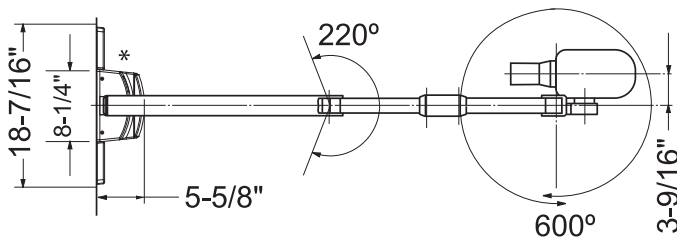
PHOT-xlls intraoral x-rays include standard wall mounting plate. Optional 4x4 stud mounting available for wall enclosures that permit the sharing of one x-ray between adjacent operatory rooms.

## Dimensions:

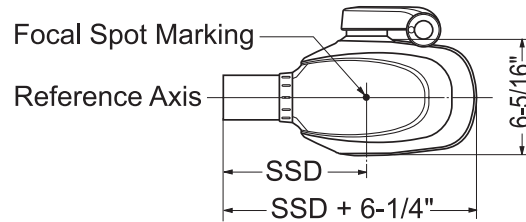
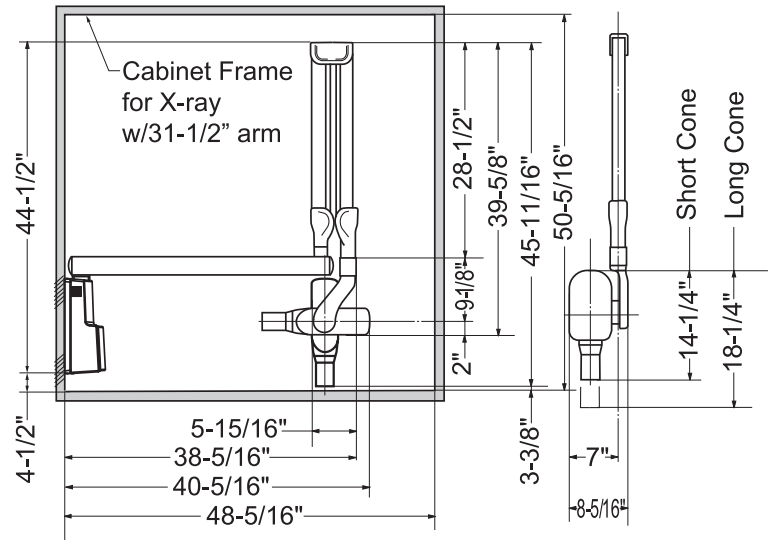
### Wall Mount



Maximum Reach:	84-1/8" with 40.0" arm	64-1/8" with 20.0" arm
	75-5/8" with 31.5" arm	56-1/8" with 12.0" arm



### Pass-thru mount



- SSD (Source to Skin Distance):**
- Regular cone-----8 inches (203 mm)
  - Long cone-----12 inches (305mm)

## SPECIFICATIONS

Selectable kV:	60-70 kV
Focal Spot:	0.4 mm (IEC60336)
Voltage:	120 VAC
Rated Line Current:	10A at 70kV, 6 mA
Exposure Time:	0.01 - 2.0 Seconds
Minimum Filtration in useful Beam:	2.0 mm Al Equivalent at 70kV
Selectable mA:	3mA / 6mA
Source to Skin Distance (SSD):	Standard Cone: 8" Optional Long Cone: 12"
Additional Options:	Pass-Thru Plate for 4x4 stud mounting Coiled wire remote switch Long 12" Cone

Belmont Equipment  
101 Belmont Drive  
Somerset, NJ 08873  
(800) 223-1192  
www.belmontequip.com

Takara Company Canada Ltd.  
2076 South Sheridan Way  
Mississauga, ON  
L5J 2M4, Canada  
(800) 268-5351  
dental.takarabelmont.ca

**Belmont**  
Delivering Value in Quality

@BelmontEquipUS

