

PROIII 047 CHAIR / CUSPIDOR (PMU) INSTALLATION INSTRUCTIONS

Table of Contents

1	Safety Consideration	
1-1	Risk Level Interpretation	3
1-2	Safety Precautions	4
2	Cautions regarding installation	
2-1	Precautions for installation	5
3	Installation	
3-1	Necessary tools and supplied parts	8
3-1-1	Necessary tools	8
3-1-2	Supplied parts	9
3-2	Installation procedures	10

2019-11 (1st Edition)	
REF	1E07SAAE

1 Safety Consideration

1-1 Risk Level Interpretation

Precautions before use

Make sure to carefully read the Safety Precautions and Operating Precautions and use the product correctly.

These precautions are intended to ensure the safe use of the product and prevent harm or damage to users or other people. According to the magnitude of harm and damage and the degree of urgency, an incident that may be caused by misuse of the product is classified into one of the following categories: WARNING, and CAUTION.

All of these categories are important for safety. Always follow the instructions provided.

We assume no responsibility for any accident due to failure to follow the Safety Precautions even in the event of harm or damage to users or other persons.

In such case, users or other persons who use the product without observing the Safety Precautions is responsible for any harm or damage incurred.

The graphical symbols are explained in detail below.

Once you have fully understood this explanation, read the text.

Classification by degree of harm or damage and urgency



WARNING

Improper handling of the product without regard to this indication will create a hazardous condition that may result in death or serious injury.



CAUTION

Improper handling of the product without regard to this indication will create a potentially hazardous condition that may result in moderate or slight injury or property damage.

The following graphical symbols are used to explain your responsibilities for using the product safely:

Graphical symbols for prohibited activity



Generally prohibited activity



Disassembly, repair or modification prohibited

Graphical symbol for mandatory instructions



Mandatory instructions for ordinary users

1-2 Safety Precautions

WARNING

Installation



Precautions for operating the chair

Before and during the chair operation, pay close attention to the operation range (seat raising/lowering direction, backrest lowering/raising direction, and legrest traveling direction), and ensure that the chair does not contact any body parts, hands or feet, or objects. Body parts, hands or feet, or objects may become caught in the chair, causing injury or damage to peripheral devices.

CAUTION

Installation



Cautions on Installation Work

Metal or mechanical parts of this product may have sharp edges or corners. Be careful to avoid injury to your hands and fingers during installation work.

2 Cautions regarding installation

2-1 Precautions for installation

1. Do not drop, hit, or give a shock to the product.
2. When all the installation procedures have been completed, verify that each function works properly.

3 Installation

3-1 Necessary tools and supplied parts

3-1-1 Necessary tools

The table below shows the necessary tools for the installation of this product.

No.	Tool name	QTY.
1	Phillips screwdriver No. 1–3	1 for each
2	Monkey wrench (Max. opening width: 29 mm)	1
3	6-piece double head open end wrench set (5.5–24 mm)	1
4	8-piece hex key wrench set (1.5–8 mm)	1

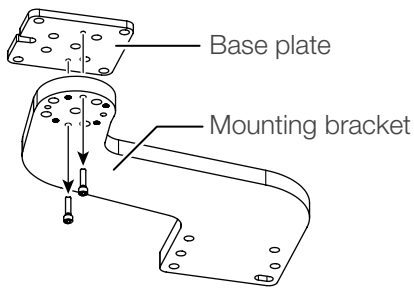
3-1-2 Supplied parts

The table below shows the supplied parts included in the chair.

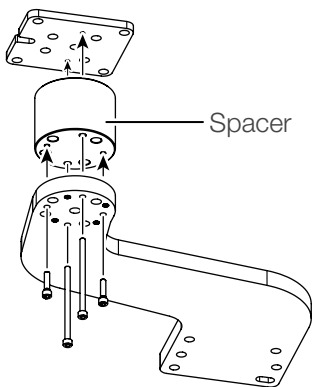
No.	Part name	QTY.
1	Spacer	1
2	Cap bolt, M6 × 95, SUS	2
3	Hex head bolt, M10 × 120, plated	4

3 Installation

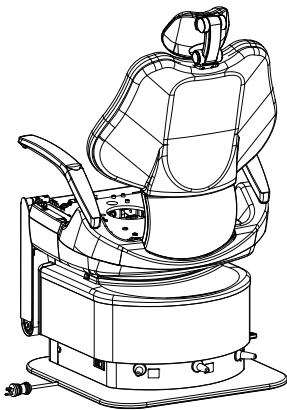
3-2 Installation procedures



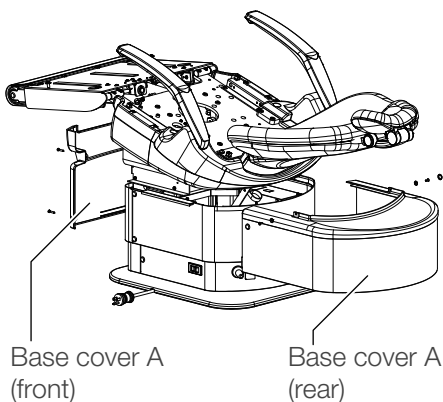
1. Disassemble the mounting bracket.
Remove cap bolts M6 x 25 SUS (2 pieces).



2. Insert the spacer.
Insert the spacer between the base plate and the mounting bracket and fix them with cap bolts M6 x 25 SUS (2 pieces) and M6 x 95 SUS (2 pieces).

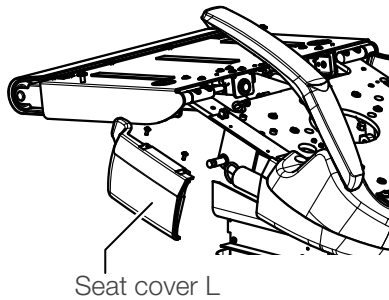


3. Remove the seat assembly.

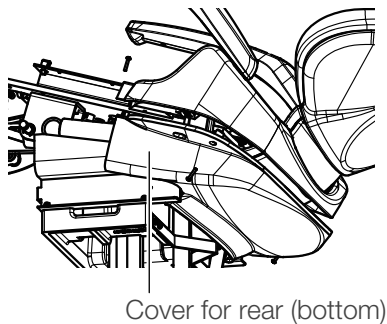


4. Remove the base cover A (front) and base cover A (rear).
Press the preset switch to extend the roll-up legrest. Then, remove pan head screws 2P M4 x 20, plated (4 pieces), set cap covers (2 pieces), countersunk screws M4 x 10, plated (2 pieces), and set cap washers (2 pieces).

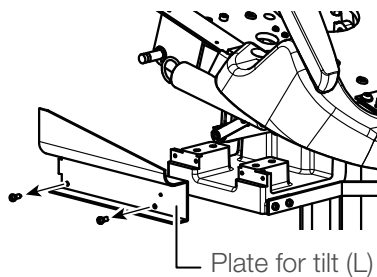
3 Installation



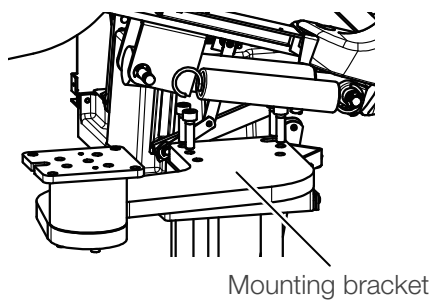
5. Remove the seat cover L.
Remove truss screws, M4 x 10 white (2 pieces).



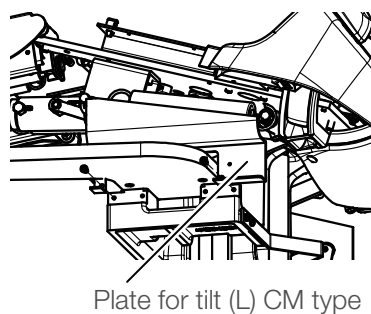
6. Remove the cover for rear (bottom).
Remove the pan head screws, P M4 x 20, plated (4 pieces).



7. Remove the plate for tilt (L).
Remove the pan head screws, 2P M5 x 12, plated (2 pieces).

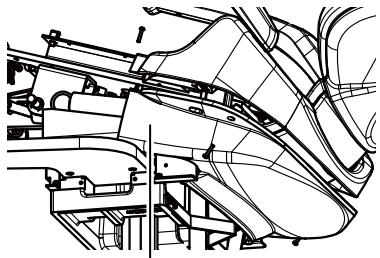


8. Attach the mounting bracket.
Fix the mounting bracket with the cap bolts, M10 x 35, plated (4 pieces).



9. Attach the plate for tilt (L) CM type.
Fix the plate with the pan head screws, 2P M5 x 12, plated (2 pieces).

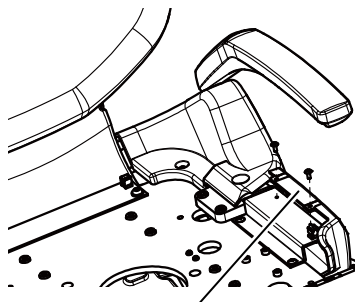
3 Installation



Cover for rear (bottom)

10. Attach the cover for rear (bottom).

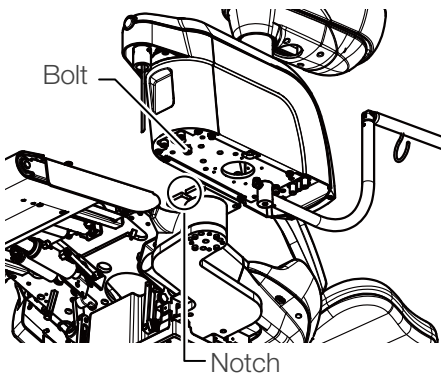
Fix the cover with the pan head screws, P M4 x 20, plated (4 pieces).



Seat cover L

11. Attach the seat cover L.

Fix the cover with the truss screws, M4 x 10 white (2 pieces).

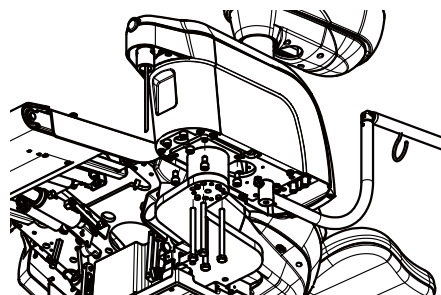


Bolt

Notch

12. Mount the PMU.

To mount the PMU, align the bolt and notch, then slide the PMU body.



13. Attach the PMU.

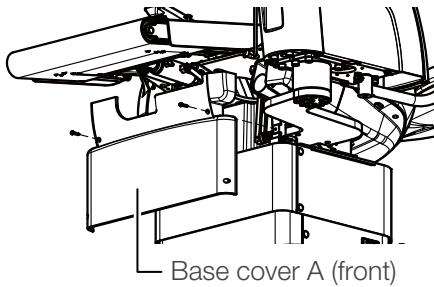
Fix the PMU with the cap bolts M10 x 18 SUS (3 pieces) and hex bolts M10 x 120, plated (4 pieces).



WARNING

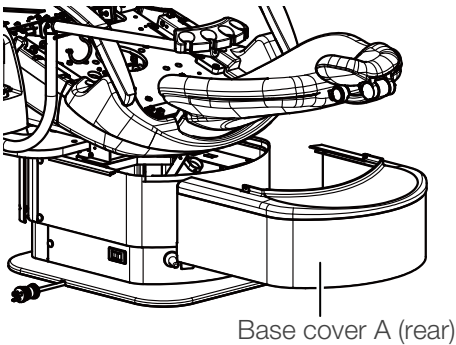
Be sure to fix the PMU to the mounting bracket with hex bolts M10 x 120, plated (4 pieces). If not, the PMU may fall.

3 Installation

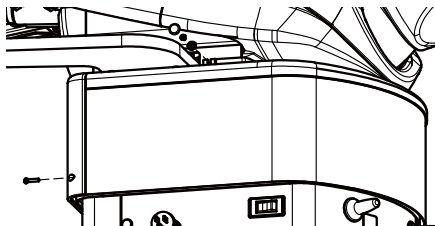


14. Attach the base cover A (front).

Lower the chair and fix the cover with the pan head screws 2P M4 x 20, plated (2 pieces).

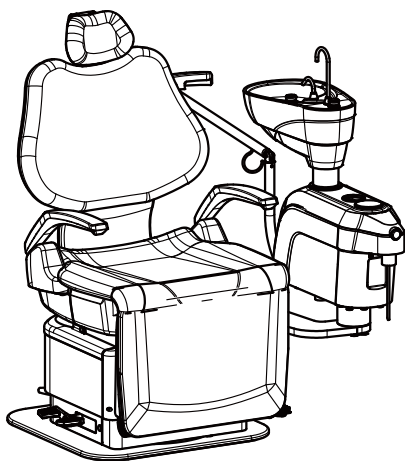


15. Attach the base cover A (rear) .



16. Fix the base cover A (rear) with screws.

Fix the cover with pan head screws 2P M4 x 20, plated (2 pieces), set cap washers (2 pieces), countersunk screws M4 x 10, plated (2 pieces), and set cap covers (2 pieces).



17. Attach the seat assembly.

Press the automatic return switch to return the initial position. Then, attach the seat assembly.



Importer for U.S.A.

BELMONT EQUIPMENT,

Division of Takara Belmont USA, Inc

101 Belmont Drive, Somerset, New Jersey 08873 U.S.A.

TEL : (732) 469-5000 / (800) 223-1192

FAX : (732) 526-6322 / (800) 280-7504

Importer for Canada

TAKARA COMPANY, CANADA, LTD.

2455 Meadowvale Blvd. Mississauga, Ontario L5N 5S2, Canada

TEL : (905) 816-8965

www.belmont.ca

TAKARA BELMONT CORPORATION

2-1-1, Higashishinsaibashi, Chuo-ku, Osaka, 542-0083, Japan

TEL : +81-6-6213-5945

FAX : +81-6-6212-3680

