



PRO III 047 CHAIR PARTS LIST

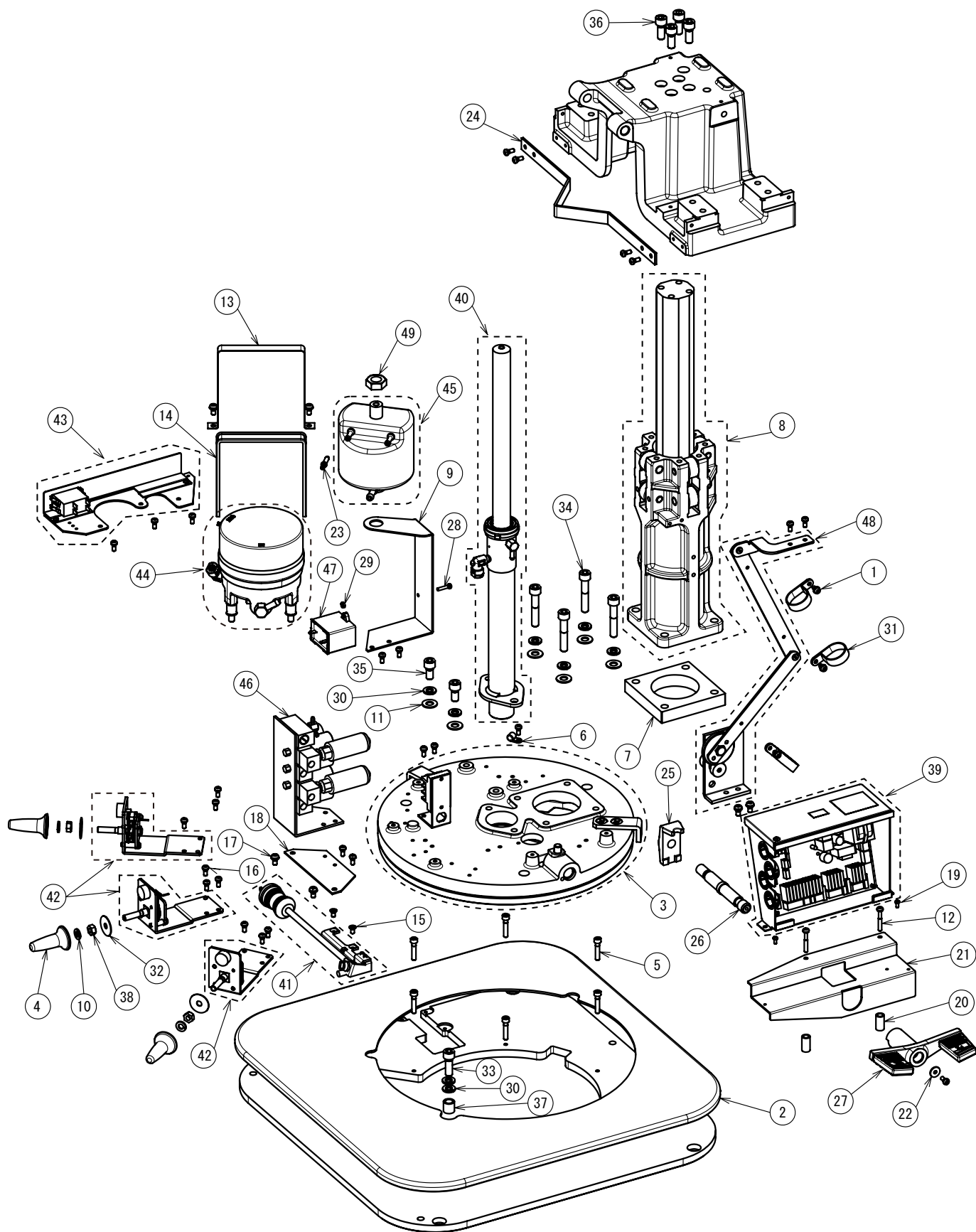
TABLE OF CONTENTS

	PAGE
1 . CHAIR LOWER SECTION -----	1
2 . CYLINDER FOR LIFTING -----	3
3 . POWER CODE ASSY -----	3
4 . STICK SWITCH -----	5
5 . POWER SWITCH -----	5
6 . MOTOR ASSY-----	7
7 . OIL RESERVOIR ASSY-----	7
8 . SEAT POTENTIOMETER ASSY-----	9
9 . 8-FUNCTION SOLENOID VALVE -----	9
10 . PCB -----	11
11 . FOLDING LEGREST CHAIR UPPER SECTION -----	13
12 . LEGREST -----	15
13 . MANUAL HEADREST(DOUBLE ARTICULATING TYPE) -----	17
14 . COVER FOR MANUAL HEADREST -----	19
15 . BACKREST COVER FOR MANUAL HEADREST -----	19
16 . BACKREST SECTION -----	21
17 . LEGREST FRAME SECTION -----	23
18 . INNER RAIL(L) -----	25
19 . INNER RAIL(R) -----	25
20 . BASE COVER -----	27

NOTE: "LEAD TIME" means below

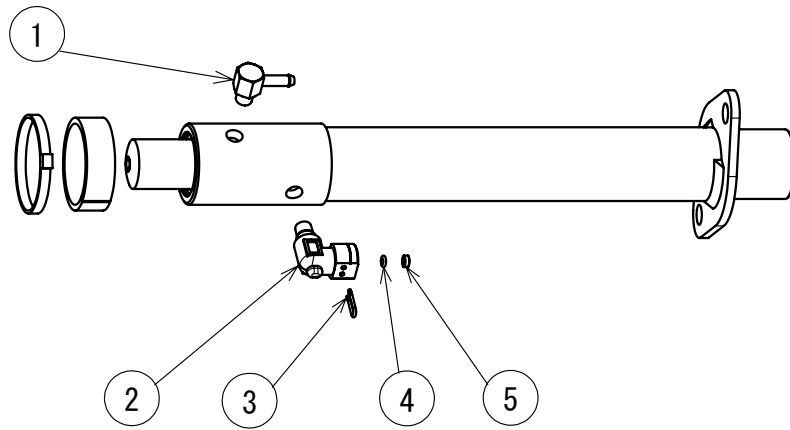
A < B < C
 Short ↔ Long

CHAIR LOWER SECTION

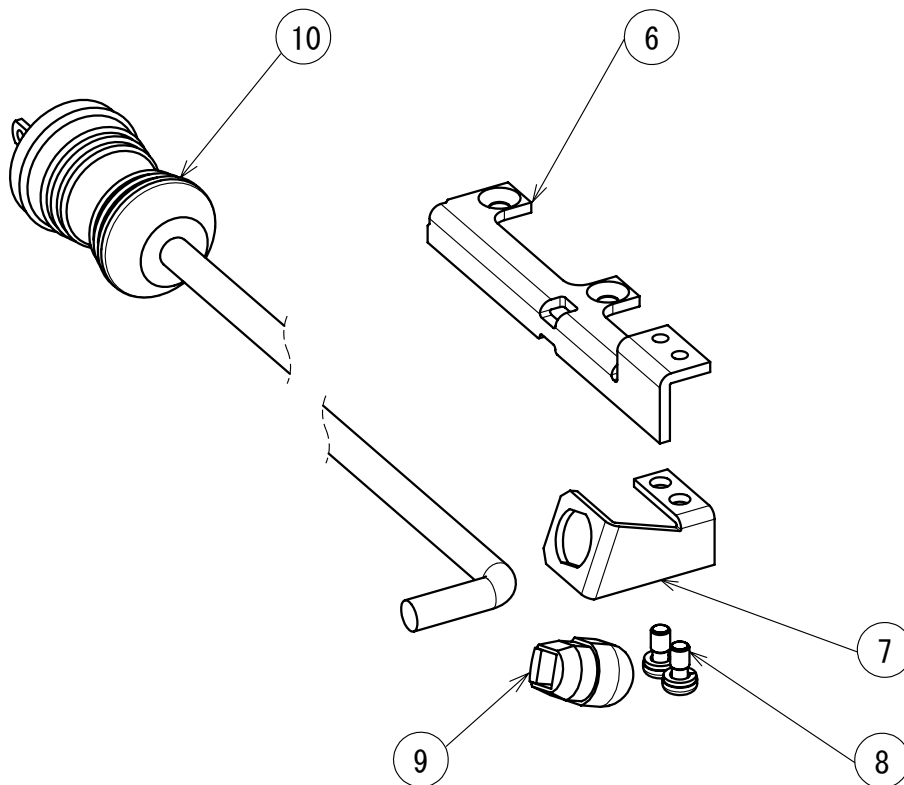


NO.	PARTS NO.	DESCRIPTION	QTY	APPLICABLE SERIAL NO.	LEAD TIME	NOTE
1	C18 - ZA88JNSY	PAN HEAD SEMS SCREW 3P M5x12 CHROME	3		A	
2	C18 - DAOA17B0	MAT FOR BASE	1		C	
3	C18 - 1G07BAA0	ROTATING PLATE ASSY 110V,120V	1		C	
4	C18 - 1A02ENA0	STICK SWITCH	3		C	
5	C18 - 1E07F7A0	SOCKET HEAD SCREW M6x28 BLACK	6		A	
6	C18 - F-33340	NYLON CLAMP ID:3305 5/16	1		B	
7	C18 - 1A0MYHA0	SPACER FOR GUIDE	1		B	
8	C18 - 1G06G1A0	GUIDE CYLINDER ASSY	1		C	
9	C18 - 1A0MX9A0	BRACKET FOR OIL RESERVOIR	1		B	
10	C18 - ZB511PAY	SPRING WASHER M8 CHROME	3		A	
11	C18 - 1E00A7A0	WASHER M10x22x2.3 CHROME	6		A	
12	C18 - ZA887N1Y	PAN HEAD SEMS SCREW 2P M5x35 CHROME	2		A	
13	C18 - AABN13A0	MOTOR BAND 374L	1		C	
14	C18 - S-30200	MOTOR BELT BLACK 250L	1		A	
15	C18 - ZA112NRY	FLAT HEAD SCREW M5x10 CHROME	2		A	
16	C18 - ZA887NSY	PAN HEAD SEMS SCREW 2P M5x12 CHROME	26		A	
17	C18 - ZA887OSY	PAN HEAD SEMS SCREW 2P M6x12 CHROME	6		A	
18	C18 - 1A0RC0A0	PLATE FOR SOLENOID VALVE	1		B	
19	C18 - 1E00AAA0	BINDING HEAD M4x8 CHROME	2		A	
20	C18 - AAET87A0	SPACER FOR RELAY CASE 23L	2		A	
21	C18 - 1A0RC5A0	PLATE FRO PCB CASE	1		B	
22	C18 - AE0047A0	WASHER M5x16x1.6 CHROME	1		A	
23	C18 - AAFT07B0	MINIATURE NIPPLE	1		B	
24	C18 - AADJ79B0	GUIDE FOR HOSE	1		A	
25	C18 - AATP10A0	LOCK SHOE	1		C	
26	C18 - E-20390	SCREW FOR LOCK	1		B	
27	C18 - AXCC79A0	PEDAL ASSY FOR LOCK	1		C	
28	C18 - ZA887LWY	PAN SEMS SCREW 2P M4x20 CHROME	1		A	
29	C18 - ZA901LAY	FLANGE NUT M4 CHROME	1		A	
30	C18 - ZB511QAY	SPRING WASHER M10 CHROME	8		A	
31	C18 - DEBR42A0	NYLON CLAMP ID:3305 1-1/4	3		B	
32	C18 - 1A02N3A0	WASHER FOR STICK SWITCH	3		A	
33	C18 - ZA761QZY	SOCKET HEAD SCREW M10x30 CHROME	1		A	
34	C18 - ZA761Q5Y	SOCKET HEAD SCREW M10x55 CHROME	4		A	
35	C18 - ZA761QWY	SOCKET HEAD SCREW M10x20 CHROME	2		A	
36	C18 - ZA761QYY	SOCKET HEAD SCREW M10x25 CHROME	4		A	
37	C18 - 1A0MA7A0	SPACER FOR RETAINER	1		C	
38	C18 - ZA812PAY	NUT M8 CHROME	3		A	
39	C18 - 1G07LBA0	CASE ASSY FOR PCB	1		C	
40	C18 - 1G07BKA0	CYLINDER FOR LIFTING	1		C	
41	C18 - 1G07MOA0	POWER CODE ASSY WITH UL PLUG	1		B	
42	C18 - 1G07B9A0	STICK SWITCH ASSY	3		C	
43	C18 - 1G07HLA0	POWER SWITCH ASSY 110V,120V	1		C	
44	C18 - 1P05LRA0	MOTOR ASSY 110V,120V	1		C	
45	C18 - 1P05FWA0	OIL RESERVOIR ASSY 110V,120V	1		B	
46	C18 - 1G07BQA0	8 FUNCTION SOLENOID VALVE ASSY 120V	1		C	
47	C18 - AATP26A0	MOTOR CAPACITOR 110-115V	1		C	
48	C18 - 1G07BPA0	POTENTIOMETER ASSY FOR SEAT	1		C	
49	C18 - AANK19B0	NUT FOR OIL RESERVOIR	1		A	

40 CYLINDER FOR LIFTING

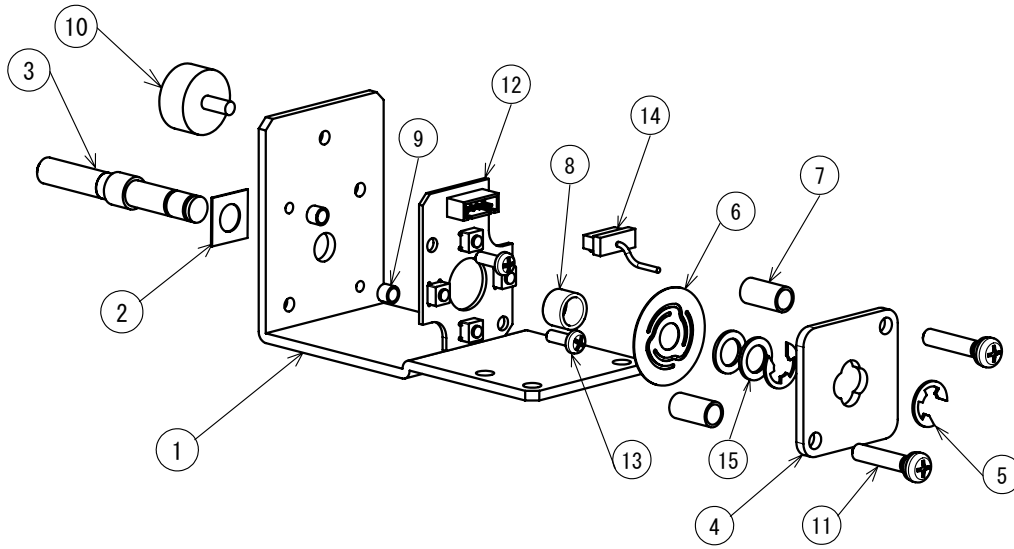


41 POWER CODE ASSY

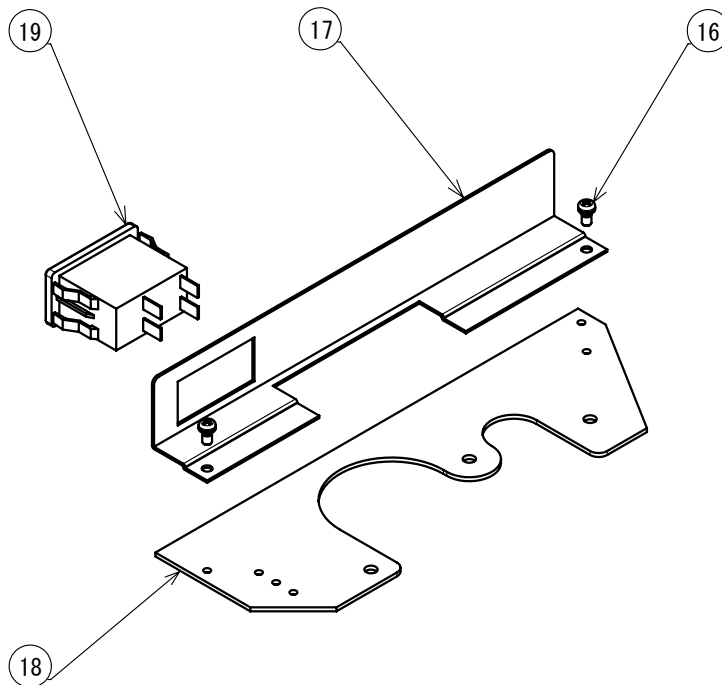


NO.	PARTS NO.	DESCRIPTION	QTY	APPLICABLE SERIAL NO.	LEAD TIME	NOTE
1	C18 - AANF63B0	L-SHAPED SHORT HOSE NIPPLE R1/8	1		A	
2	C18 - AADS67B0	L-SHAPED SMALL JOINT R1/8	1		A	
3	C18 - ABNL93B0	U-PIN	1		A	
4	C18 - AEND86A0	O-RING ID:P3	1		A	
5	C18 - AANF59B0	RETAINER RING	1		A	
6	C18 - 1A0RC3A0	PLATE FOR CORD GUIDE	1		B	
7	C18 - 1A0RM8A0	BRACKET FOR CORD STOPPER	1		B	
8	C18 - ZA887NPY	PAN SEMS SCREW 2P M5x8 CHROME	2		A	
9	C18 - AFNA70A0	CODE BUSH ID:SR-11-2	1		A	
10	C18 - 1A0REZA0	POWER CODE ON UL	1		B	

42 STICK SWITCH

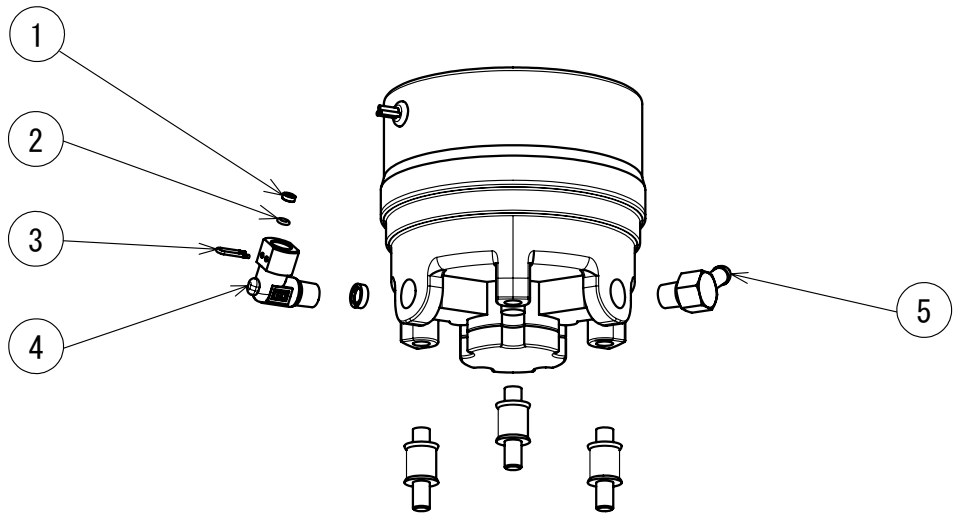


43 POWER SWITCH

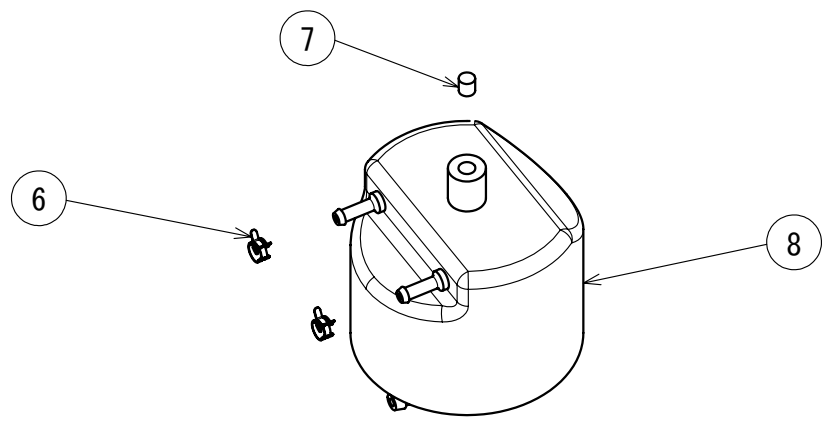


NO.	PARTS NO.	DESCRIPTION	QTY	APPLICABLE SERIAL NO.	LEAD TIME	NOTE
1	C18 - 1A0RBZA0	BRACKET FOR STICK SWITCH	1		B	
2	C18 - U-34970	REINFORCING PLATE FOR STICK SWITCH	1		B	
3	C18 - 1A05AGA0	CENTER SHAFT	1		C	
4	C18 - 1A05JDB0	PLATE FOR SWITCH	1		B	
5	C18 - ZG051BAG	E-RING M7 BLACK	2		A	
6	C18 - 1A05JCA0	SPRING FOR SWITCH	1		C	
7	C18 - AEFS08A0	C-SHAPED SPACER 6 X 15L	2		B	
8	C18 - U-32400	SPRING FOR FOOT SWITCH	1		B	
9	C18 - AANO74B0	C-SHAPED SPACER 4 X 4L	2		A	
10	C18 - AANG36A0	STOP RUBBER 10L	1		C	
11	C18 - ZA887NYY	PAN SEMS SCREW 2P M5 x 25 CHROME	2		A	
12	C18 - 1G01Q1A0	STICK SWITCH PCB	1		C	
13	C18 - ZA111LRY	PAN SCREW M4 x 10 CHROME	2		A	
14	C18 - 1A0RKS A0	TRUNK LINE FOR STICK SWITCH WITH HARNESS	1		B	
15	C18 - 1E0260A0	WASHER 8.4 X 13 X 1.0 CHROME	2		A	
16	C18 - ZA887LNY	PAN SEMS SCREW 2P M4x6 CHROME	2		A	
17	C18 - 1A0MX8A0	PLATE FOR MAIN SWITCH	1		B	
18	C18 - 1A01FOA0	PLATE FOR POWER SUPPLY SWITCH	1		B	
19	C18 - AEFT96B0	POWER SWITCH ID:F524-P7T1-W19KB3 110V,120V	1		A	

44 MOTOR ASSY

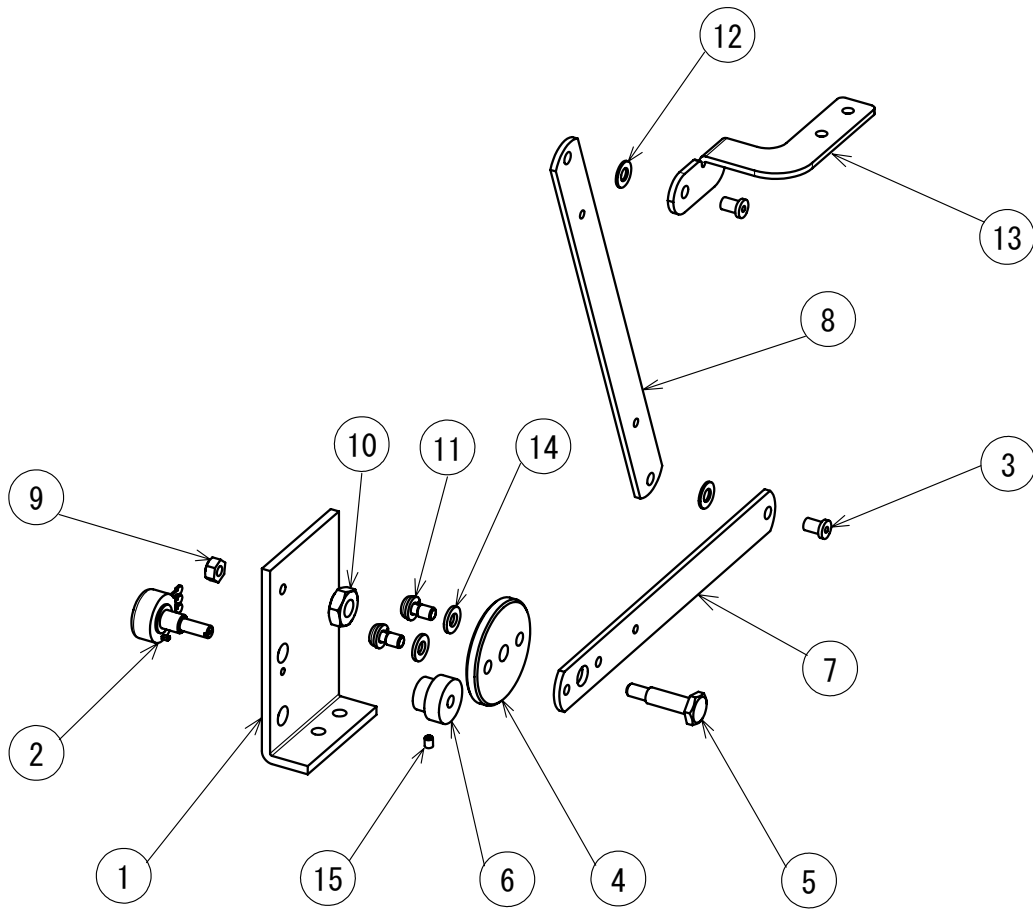


45 OIL RESERVOIR ASSY

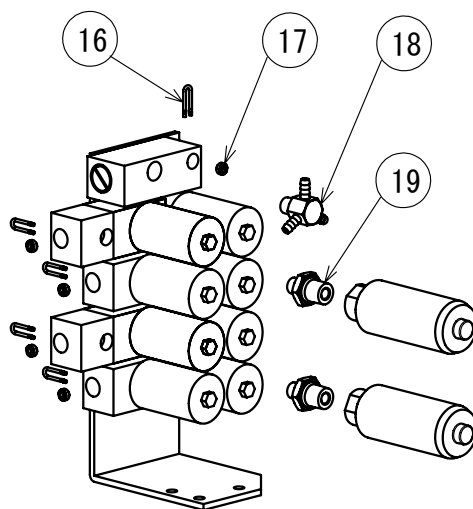


NO.	PARTS NO.	DESCRIPTION	QTY	APPLICABLE SERIAL NO.	LEAD TIME	NOTE
1	C18 - AANF59B0	RETAINER RING	1		A	
2	C18 - AEND86A0	O-RING ID:P3	1		A	
3	C18 - ABNL93B0	U-PIN	1		A	
4	C18 - SALA06C0	L-SHAPED JOINT 1/4	1		C	
5	C18 - AANF60B0	L-SHAPED NIPPLE FOR MOTOR (SHORT) 1/4	1		A	
6	C18 - AANO70B0	SPRING BAND CLAMP(CLIP BAND)	2		C	
7	C18 - F-61420	FILTER FOR OIL RESERVOIR	1		B	
8	C18 - AAFE57A0	OIL RESERVOIR	1		A	

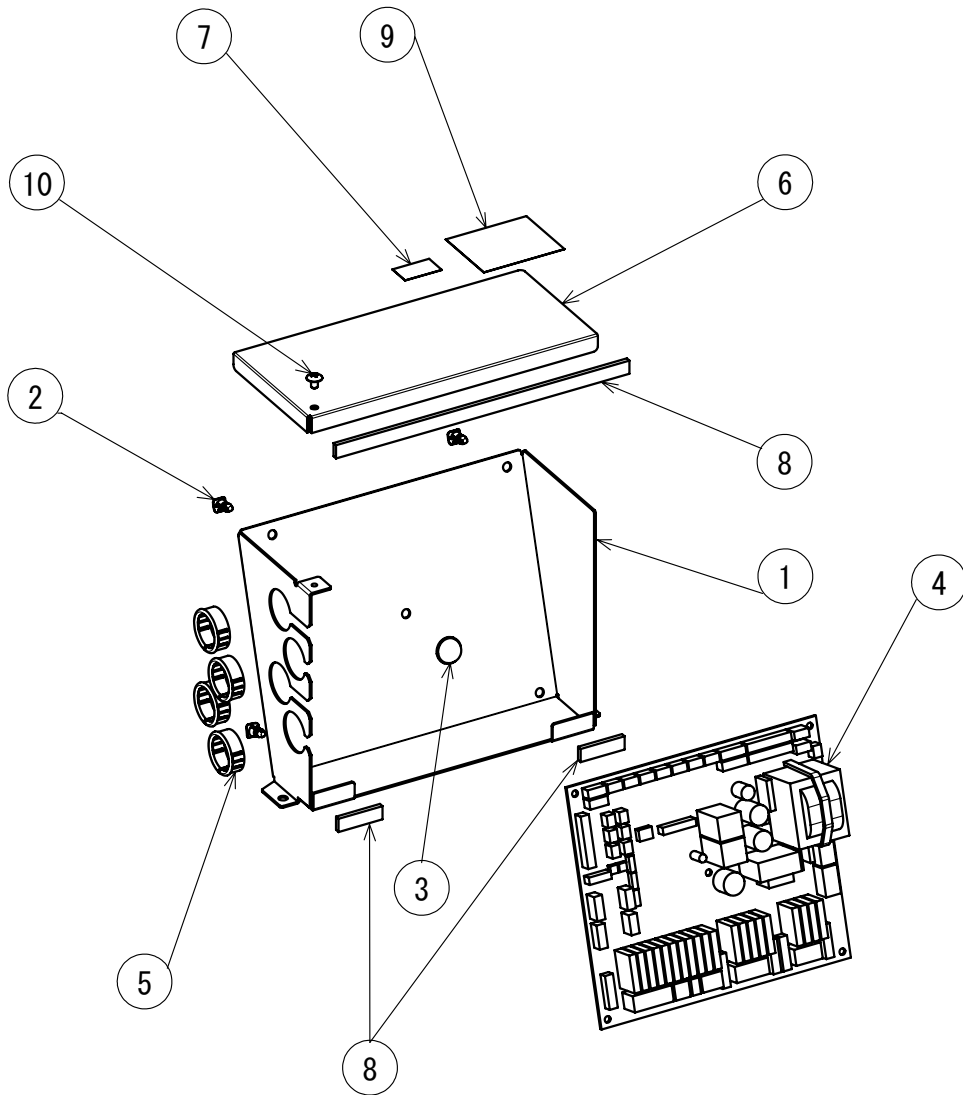
48 SEAT POTENTIOMETER ASSY



46 8-FUNCTION SOLENOID VALVE

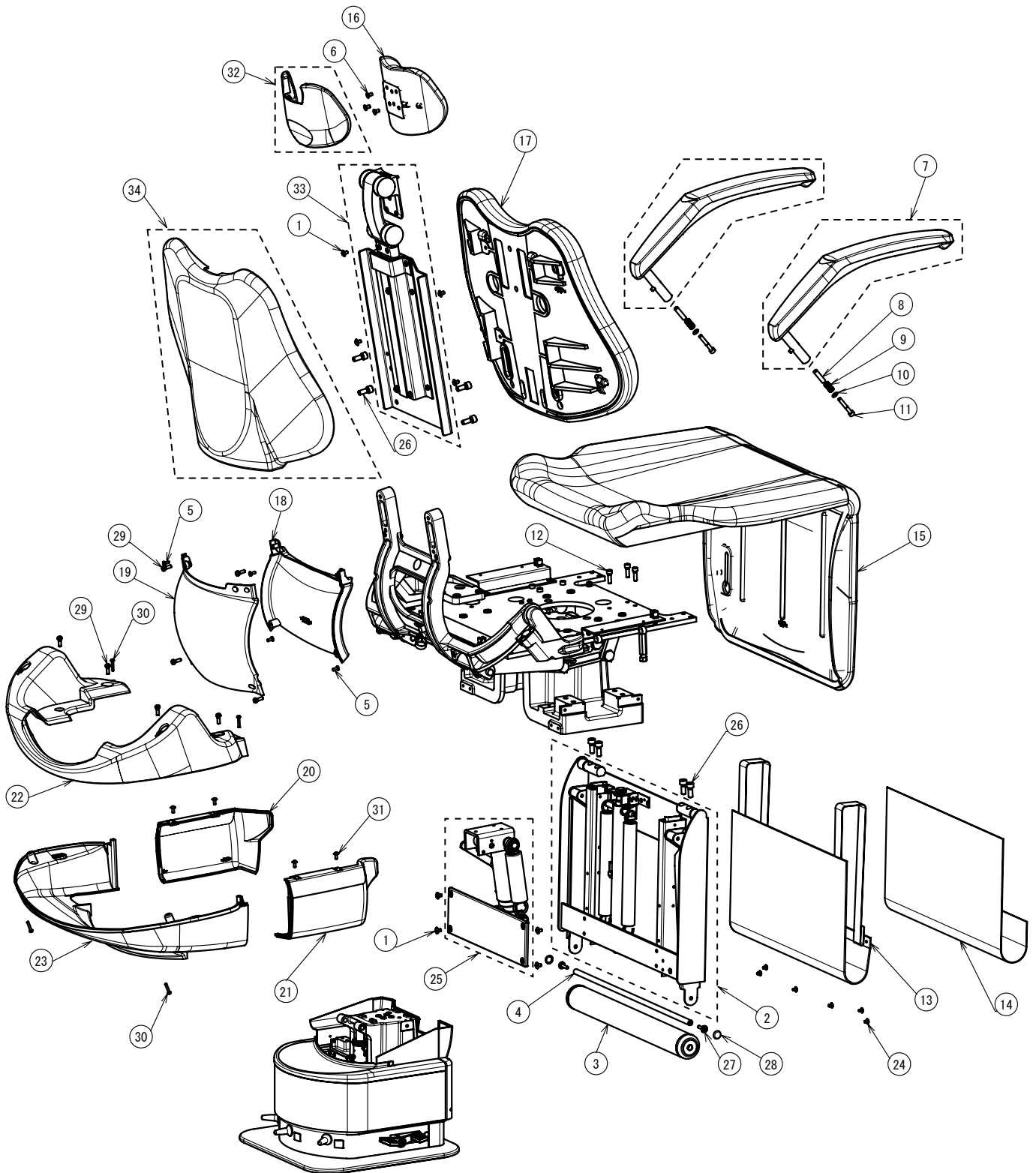


NO.	PARTS NO.	DESCRIPTION	QTY	APPLICABLE SERIAL NO.	LEAD TIME	NOTE
1	C18 - 1A0MYLA0	BRACKET FOR GEAR	1		B	
2	C18 - 1A0PBCA0	POTENTIOMETER FOR SEAT WITH HARNESS	1		B	
3	C18 - U-32200	RIVETS 6x10L	2		C	
4	C18 - DANR43A0	SPUR GEAR ID:DSI-50	1		B	
5	C18 - G-00800	SCREW FOR GEAR B	1		A	
6	C18 - AEDR83B0	SPUR GEAR WITH HUB ID:SSB-1020	1		A	
7	C18 - AAEJ93A0	LINK FOR HOSE(DOWN) 175L	1		B	
8	C18 - AAEJ94A0	LINK FOR HOSE(UP) 242L	1		B	
9	C18 - ZA901OAY	FLANGE NUT M6 CHROME	1		A	
10	C18 - ZA814QAY	JAM NUT M10 CHROME	1		A	
11	C18 - ZA887ORY	PAN SEMS SCREW 3P M6x10 CHROME	2		A	
12	C18 - ZB562OAL	WASHER M6x13x1.0 BRASS	2		A	
13	C18 - 1A0RCAA0	BRACKET FOR LINK	1		B	
14	C18 - 1E00LRA0	WASHER M6x13x1.6 CHROME	2		A	
15	C18 - ZA774LLG	HEX SOCKET SET SCREW M4x5 CUP POINT BLACK	1		A	
16	C18 - ABNL93B0	U-PIN	5		A	
17	C18 - AANF59B0	RETAINER RING	5		A	
18	C18 - AAFT14A0	SMALL THREE-WAY ELBOW	1		A	
19	C18 - AANF38B0	CONVERSION NIPPLE 1/8-1/4	2		A	

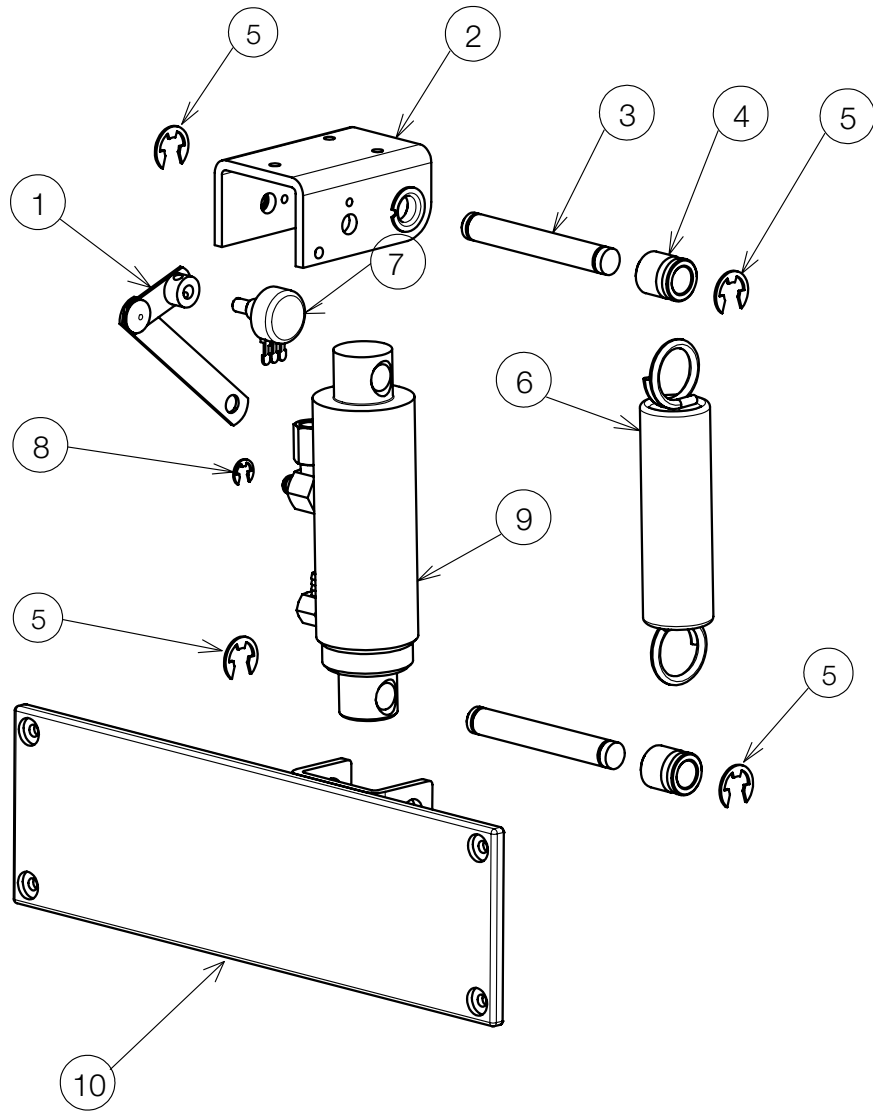


NO.	PARTS NO.	DESCRIPTION	QTY	APPLICABLE SERIAL NO.	LEAD TIME	NOTE
1	C18 - 1A0RC4A0	CASE FOR PCB	1		B	
2	C18 - DNOR11A0	SPACER ID:RSPLS-6LU	4		A	
3	C18 - X-46690	FELT ID: SJ-5027	1		A	
4	C18 - 1G07NGA0	PCB FOR CHAIR 100V	1		C	
5	C18 - XX-38724035	SNAP BUSH ID:OCB1000	4		A	
6	C18 - 1A0RC6A0	COVER FOR PCB	1		B	
7	C18 - AAFU34A0	VOLTAGE LABEL 120V	1		A	
8	C18 - AADS43B0	FELT A	2		B	
9	C18 - U-38910	CAUTION LABEL(YELLOW)	1		B	
10	C18 - ZA114LNY	TRUSS M4x6 CHROME	1		A	

FOLDING LEGREST CHAIR UPPER SECTION

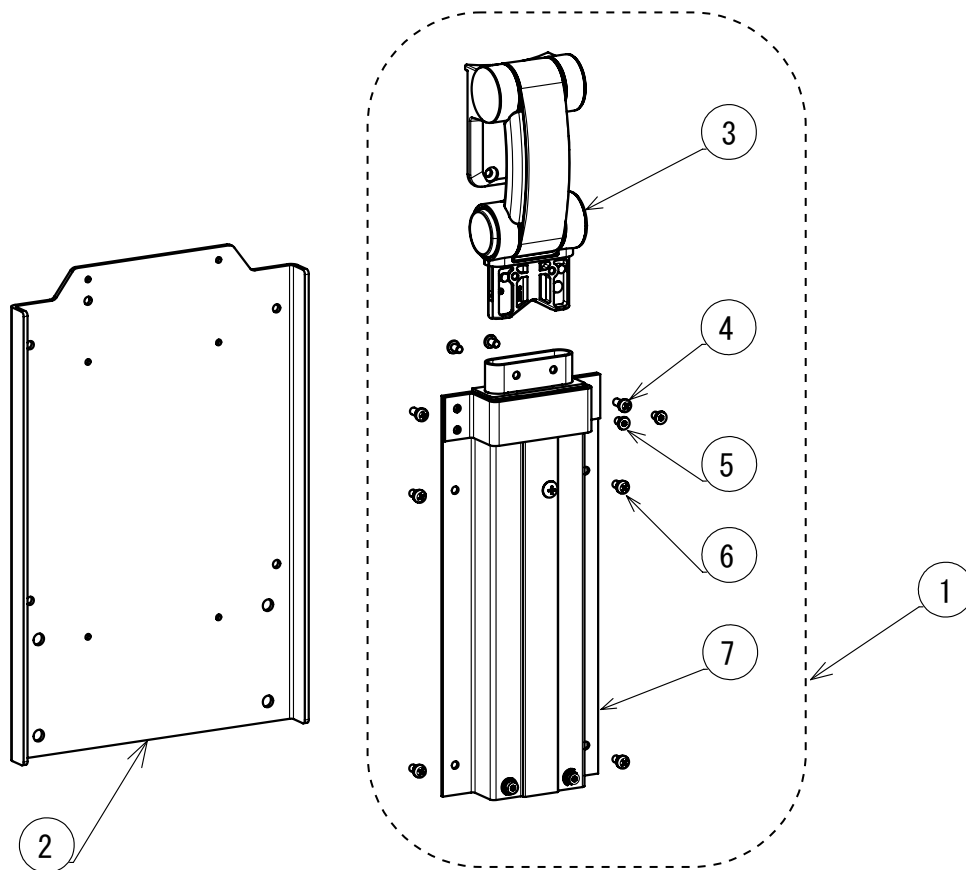


NO.	PARTS NO.	DESCRIPTION	QTY	APPLICABLE SERIAL NO.	LEAD TIME	NOTE
1	C18 - ZA114NPC	TRUSS M5X8 CHROME	8		A	
2	C18 - 1G072WA0	FRAME ASSY FOR LEGREST	1		C	
3	C18 - AAKA42B0	SHAFT (LARGE)	1		B	
4	C18 - ABNA74B0	SHAFT (LARGE) 10x445.5L	1		B	
5	C18 - AFFX58A0	PAN HEAD SCREW P-TYPE M4x10 CHROME	4		A	
6	C18 - ZA112NPY	FLAT HEAD SCREW M5x8 CHROME	3		A	
7	C18 - 1G072RB0	ARMREST ASSY	2		B	
8	C18 - 1E0504B0	SPACER FOR PIPE ID:CB-630P	2		A	
9	C18 - 1A0FXZA0	SPRING FOR ARMREST	2		C	
10	C18 - ZB561OAY	FLAT WASHER M6x11.5x0.8 CHROME	2		A	
11	C18 - ZA761O2G	SOCKET HEAD SCREW M6x40 BLACK	2		A	
12	C18 - ZA761OWY	SOCKET HEAD SCREW M6x20 CHROME	3		A	
13	C18 - AGFK22AS	ROLL-UP WITHOUT UPHOLSTERY	1		B	
14	C18 - AGFK21A0	UPHOLSTERY PLASTIC COVER FOR ROLL-UP	1		B	
15	C18 - 1G07MMA0	SEAT WITHOUT UPHOLSTERY	1		B	
16	C18 - 1G07KYAS	HEADREST WITHOUT UPHOLSTERY	1		B	
17	C18 - 1G00VXAS	BACKREST CUSHION WITHOUT UPHOLSTERY	1		B	
18	C18 - AADB64B0	COVER FOR BACKREST (FRONT)	1		B	
19	C18 - AADB65B0	COVER FOR BACKREST (REAR)	1		B	
20	C18 - AADE73B0	COVER FOR SEAT (L)	1		B	
21	C18 - AADE74B0	COVER FOR SEAT (R)	1		B	
22	C18 - AADB62C0	COVER FOR REAR (TOP)	1		B	
23	C18 - AADB63B0	COVER FOR REAR (BOTTOM)	1		B	
24	C18 - ZA114LNY	TRUSS M4X6 CHROME	6		A	
25	C18 - 1G072ZA0	CYLINDER ASSY FOR LEGREST	1		C	
26	C18 - ZA761PWY	SOCKET HEAD SCREW M8x20 CHROME	8		A	
27	C18 - AEFS84A0	SCREW M6x20 FOR SET CAP	2		A	
28	C18 - DEAS15A0	COVER FOR SET CAP(WHITE)	2		A	
29	C18 - ZA111N#Y	PAN HEAD SCREW M5x15 CHROME	8		A	
30	C18 - AFFX60A0	PAN HEAD SCREW P-TYPE M4x20 CHROME	4		A	
31	C18 - AECN85A0	TRUSS M4X10 WHITE	4		A	
32	C18 - 1G05LBA0	COVER ASSY FOR HEADREST (MANUAL HEADREST)	1		C	
33	C18 - 1G05PNB0	MANUAL HEADREST	1		C	
34	C18 - 1G060EA0	BACKREST COVER ASSY	1		C	



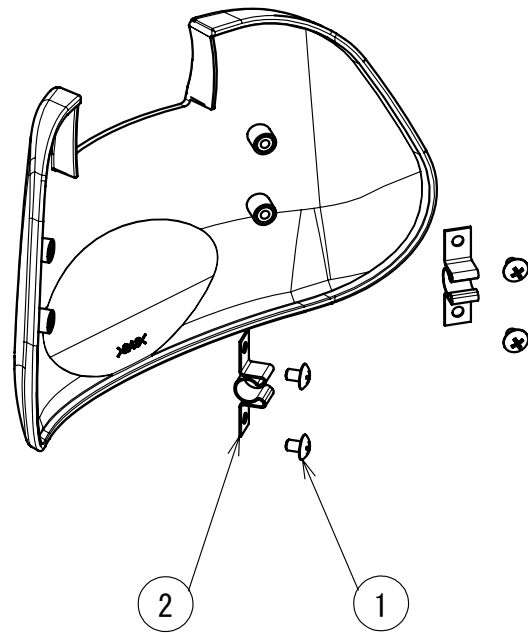
NO.	PARTS NO.	DESCRIPTION	QTY	APPLICABLE SERIAL NO.	LEAD TIME	NOTE
1	C18 - AGDJ64B0	LINK SET FOR LEGREST POTENTIOMETER WITH HARNESS	1		B	
2	C18 - AXBA36A0	BRACKET FOR LEGREST CYLINDER WITH BUSH	1		C	
3	C18 - AADS13A0	PIN FOR LEGREST CYLINDER	2		B	
4	C18 - AASB92A0	SPRING COLLAR A	2		B	
5	C18 - ZG051OAG	E-RING M10 BLACK	4		A	
6	C18 - 1A0MHUA0	SPRING FOR LEGREST	1		B	
7	C18 - 1A0PBGB0	POTENTIOMETER FOR LEGREST WITH HARNESS	1		B	
8	C18 - ZG051OAG	E-RING M6 BLACK	1		A	
9	C18 - AXBA31A0	LEGREST CYLINDER ASSY WITH NIPPLE	1		C	
10	C18 - AADJ90A0	PLATE FOR LEGREST	1		B	

33 MANUAL HEADREST (DOUBLE ARTICULATING TYPE)

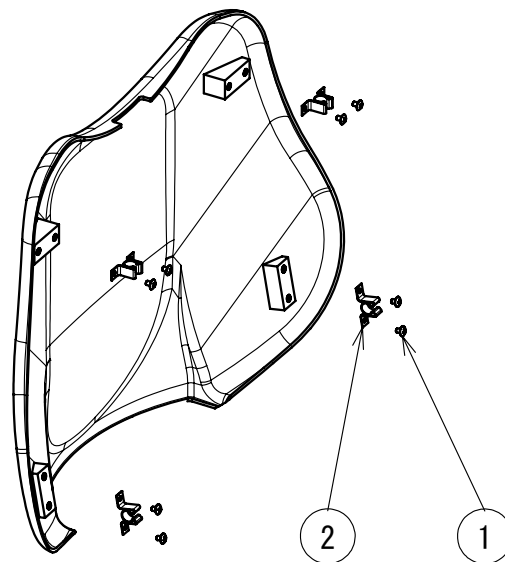


NO.	PARTS NO.	DESCRIPTION	QTY	APPLICABLE SERIAL NO.	LEAD TIME	NOTE
1	C18 - 1P05QTA0	HEADREST ASSY FOR DOUBLE ARTICULATING	1		C	
2	C18 - 1A0K8HA0	FRAME FOR BACKREST(MANUAL HEADREST)	1		C	
3	C18 - 1G05PKC0	HEADREST MECHANISM FOR DOUBLE ARTICULATING	1		C	
4	C18 - ZA887NRY	PAN HEAD SEMS SCREW 2P M5x10 CHROME	2		A	
5	C18 - 1E059LA0	SOCKET HEAD SCREW(LOWER) M5x8 SUS	4		A	
6	C18 - ZA887NPY	PAN HEAD SEMS SCREW 2P M5x8 CHROME	4		A	
7	C18 - 1G05PLB0	HEADREST LIFTING SECTION FOR DOUBLE ARTICULATING	1		C	

32 COVER FOR MANUAL HEADREST

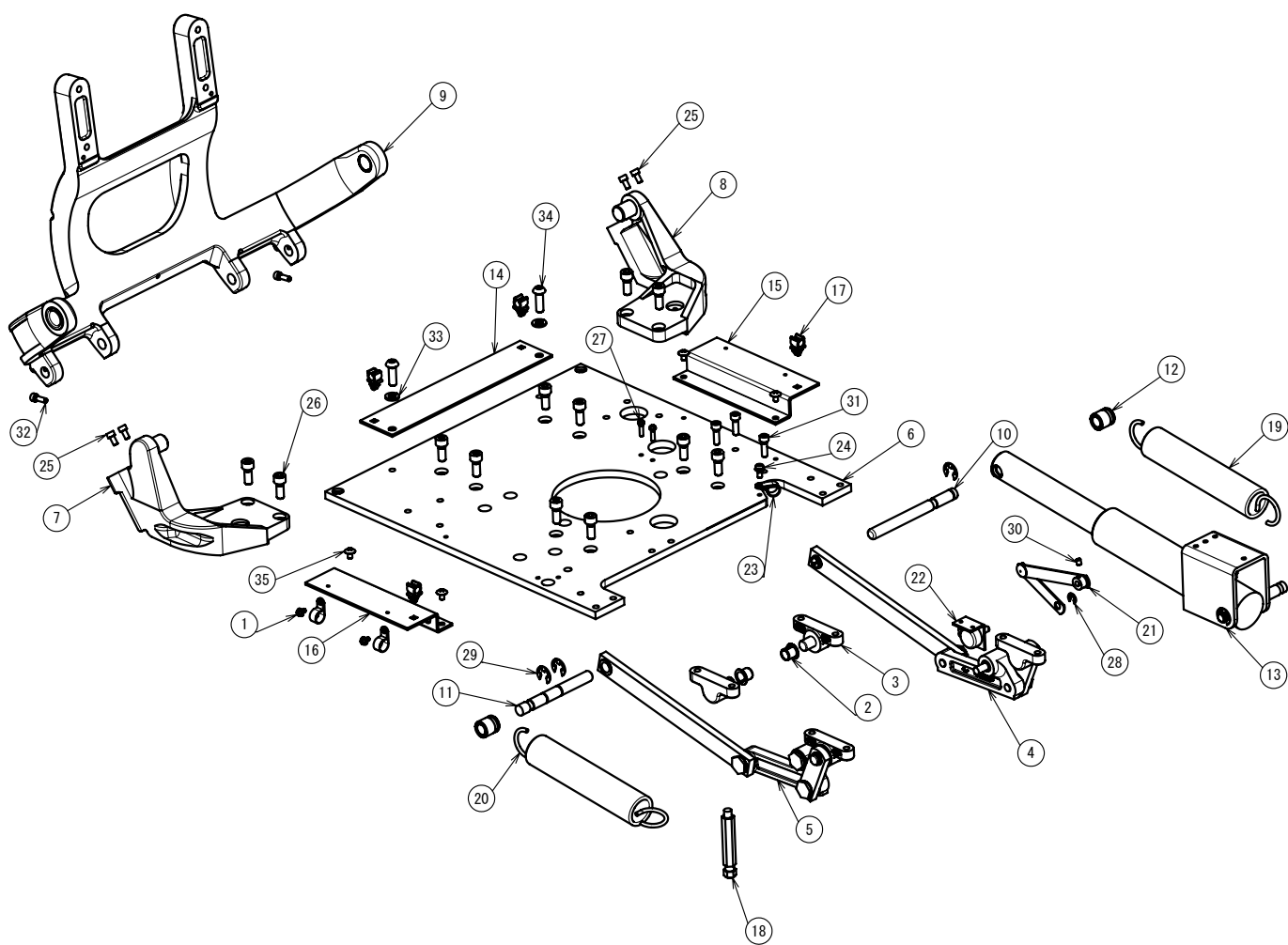


34 BACKREST COVER FOR MANUAL HEADREST



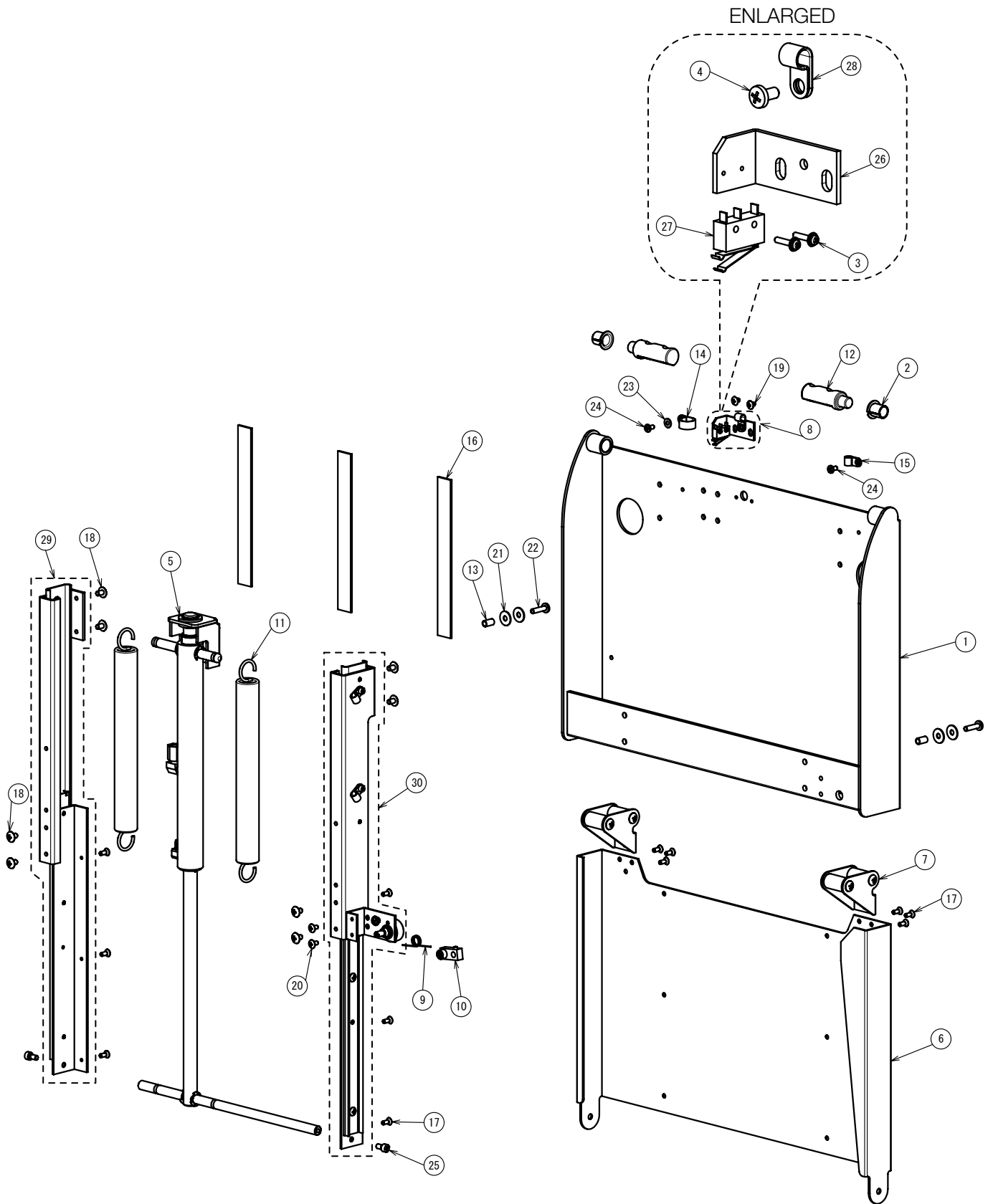
NO.	PARTS NO.	DESCRIPTION	QTY	APPLICABLE SERIAL NO.	LEAD TIME	NOTE
1	C18 - ZA114LNY	TRUSS M4x6 CHROME	12		A	
2	C18 - AAER61A0	CLIP FOR COVER	8		B	

BACKREST SECTION



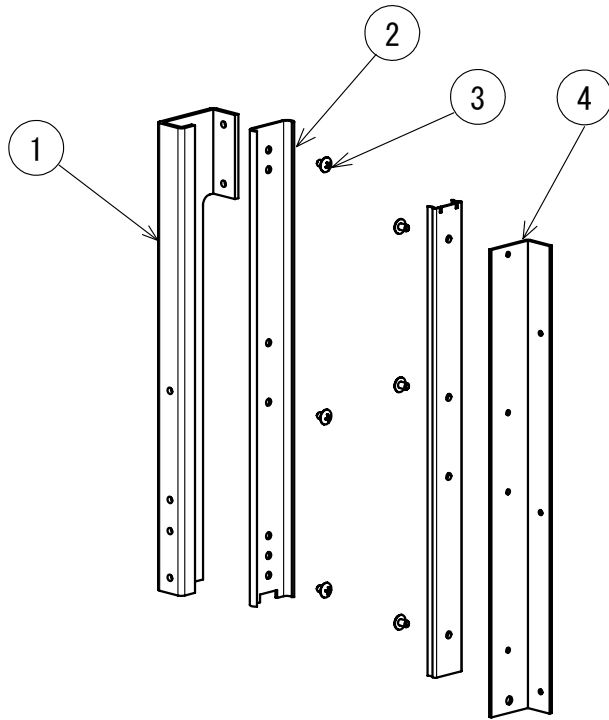
NO.	PARTS NO.	DESCRIPTION	QTY	APPLICABLE SERIAL NO.	LEAD TIME	NOTE
1	C18 - ZA88JLPY	PAN SEMS SCREW 3P M4x8 CHROME	2		A	
2	C18 - AEDR84A0	BUSH ID:HPF-1212	2		A	
3	C18 - TADR01B0	BRACKET FOR TILT	2		C	
4	C18 - AXBA33A0	LINK ASSY FOR TILT (L)	1		C	
5	C18 - AXBA34A0	LINK ASSY FOR TILT (R)	1		C	
6	C18 - TADB06A0	PLATE FOR SEAT	1		A	
7	C18 - 1A0Q9PB0	BRACKET FOR BACK SUPPORT(R)	1		C	
8	C18 - 1A0Q9NB0	BRACKET FOR BACK SUPPORT(L)	1		C	
9	C18 - AXBA35B0	BACKREST SUPPORT ASSY	1		C	
10	C18 - AADS01B0	PIN FOR BACKREST (L)	1		B	
11	C18 - AADS02A0	PIN FOR BACKREST (R)	1		B	
12	C18 - AASB92A0	SPRING COLLAR A	2		B	
13	C18 - AXBA30A0	CYLINDER ASSY FOR RECLINING	1		C	
14	C18 - AADJ83B0	MOUNTING PLATE FOR SEAT	1		A	
15	C18 - AADJ81B0	MOUNTING PLATE FOR A COVER(L)	1		A	
16	C18 - AADJ82B0	MOUNTING PLATE FOR A COVER(R)	1		B	
17	C18 - AEDR88A0	ROD HOLDER ID:1769	4		C	
18	C18 - AANQ95B0	STOPPER FOR SPRING LARGE	1		B	
19	C18 - AADK09A0	RECLINING SPRING (L)	1		B	
20	C18 - AADK10A0	RECLINING SPRING (R)	1		B	
21	C18 - AGDJ63B0	LINK ASSY FOR RECLINING POTENTIOMETER	1		B	
22	C18 - 1G072VA0	POTENTIOMETER ASSY FOR RECLINING WITH	1		B	
23	C18 - X-50450	NYLON CLAMP ID:3308 1/2	3		B	
24	C18 - ZA88JNSY	PAM SEMS SCREW 3P M5x12 CHROME	1		A	
25	C18 - ZA761NRG	SOCKET HEAD SCREW M5x10 BLACK	4		A	
26	C18 - ZA761PWY	SOCKET HEAD SCREW M8x20 CHROME	12		A	
27	C18 - ZA887LUY	PAN SEMS SCREW 2P M4x16 CHROME	2		A	
28	C18 - ZG051OAG	E-RING M6 BLACK	1		A	
29	C18 - ZG051QAG	E-RING M10 BLACK	3		A	
30	C18 - ZA774NNG	HEX SOCKET HEAD SCREW CUP POINT M5x6 BLACK	1		A	
31	C18 - ZA761OWY	SOCKET HEAD SCREW M6x20 CHROME	3		A	
32	C18 - ZA761NUG	SOCKET HEAD SCREW M5x16 BLACK	2		A	
33	C18 - ZB511PAK	SPRING WASHER M8 (MATERIAL)	2		A	
34	C18 - ZSA11PYG	SOCKET BUTTON CAP SCREW M8x25 BLACK	2		A	
35	C18 - ZA114NPC	TRUSS M5x8 CHROME	4		A	

2 LEGREST FRAME SECTION

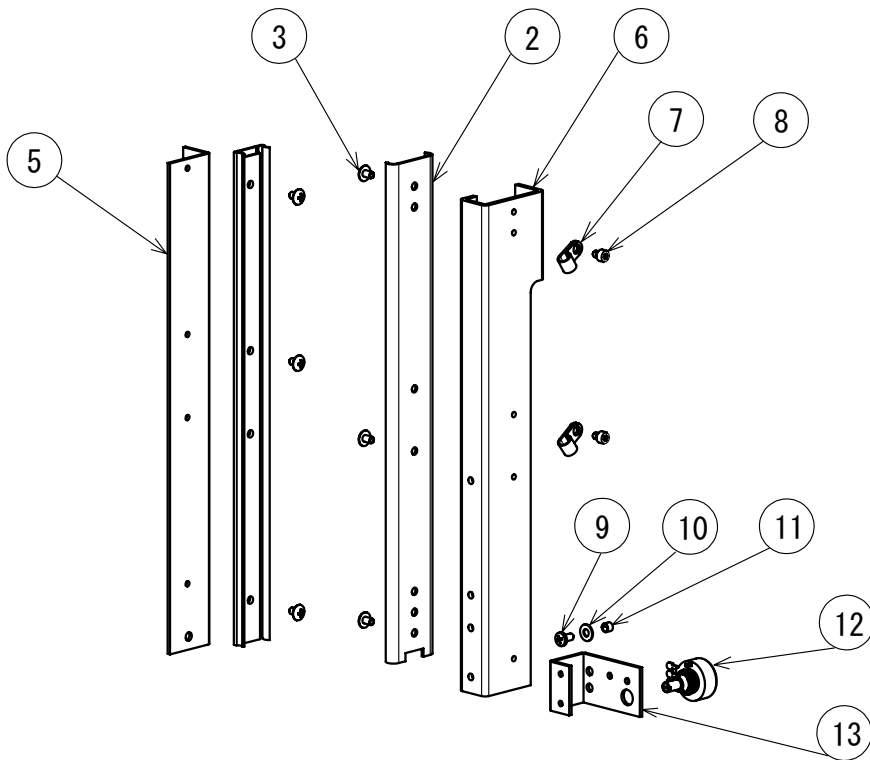


NO.	PARTS NO.	DESCRIPTION	QTY	APPLICABLE SERIAL NO.	LEAD TIME	NOTE
1	C18 - AADE64A0	OUTER FLAME FOR LEGREST	1		C	
2	C18 - AFNB06C0	BUSH ID:K5F1215-20	2		A	
3	C18 - ZA88JGRY	PAN SEMS SCREW 3P M2x10 CHROME	2		A	
4	C18 - 1E00AAA0	BIND HEAD SCREW M4x8 CHROME	1		A	
5	C18 - AXCB60A0	CYLINDER ASSY FOR FOOTREST	1		C	
6	C18 - AADE65A0	INNER FRAME FOR LEGREST	1		B	
7	C18 - AXCB64A0	BELT ROLLER ASSY	2		B	
8	C18 - 1G07HJA0	MICRO SWITCH FOR LEGREST	1		B	
9	C18 - AADS40A0	SPRING FOR POTENTIOMETER	1		B	
10	C18 - AXCB63A0	ROLLER ASSY FOR POTENTIOMETER	1		B	
11	C18 - AADK12A0	SPRING FOR FOOT	2		B	
12	C18 - AADS14A0	ROTATING PIN FOR LEGREST	2		B	
13	C18 - AFFY22A0	S-SHAPED SPACER 5x12L	2		A	
14	C18 - Q-31130	NYLON CLAMP ID:3330 5/8	1		B	
15	C18 - X-50520	NYLON CLAMP ID:3330 1/4	1		B	
16	C18 - AAFU94A0	BLACK FELT WITH TAPE	3		A	
17	C18 - AFFW84A0	FLAT HEAD SCREW M4x10 SUS	12		A	
18	C18 - ZA114NPC	TRUSS M5x8 CHROME	12		A	
19	C18 - ZA114LLC	TRUSS M4x5 CHROME	2		A	
20	C18 - ZA114LPC	TRUSS M4x8 CHROME	2		A	
21	C18 - 1E00DLA0	WASHER M5x16x1.0 CHROME	4		A	
22	C18 - ZA115NVC	BINDING HEAD SCREW M5x18 CHROME	2		A	
23	C18 - ZB562LAY	WASHER M4x10x0.8 CHROME	1		A	
24	C18 - 1E00AAA0	BIND HEAD SCREW M4x8 CHROME	2		A	
25	C18 - ZA761NRG	SOCKET HEAD SCREW M5x10 BLACK	2		A	
26	C18 - AADS31B0	PLATE FOR MICRO SWITCH OF FOOTREST	1		B	
27	C18 - 1A0RJLB0	MICRO SWITCH FOR LEGREST WITH HARNESS	1		B	
28	C18 - X-50520	NYLON CLAMP ID:3304 1/4	1		B	
29	C18 - AXCB61A0	INNER RAIL ASSY (L)	1		B	
30	C18 - 1G07KWA0	INNER RAIL ASSY (R)	1		C	

29 INNER RAIL(L)

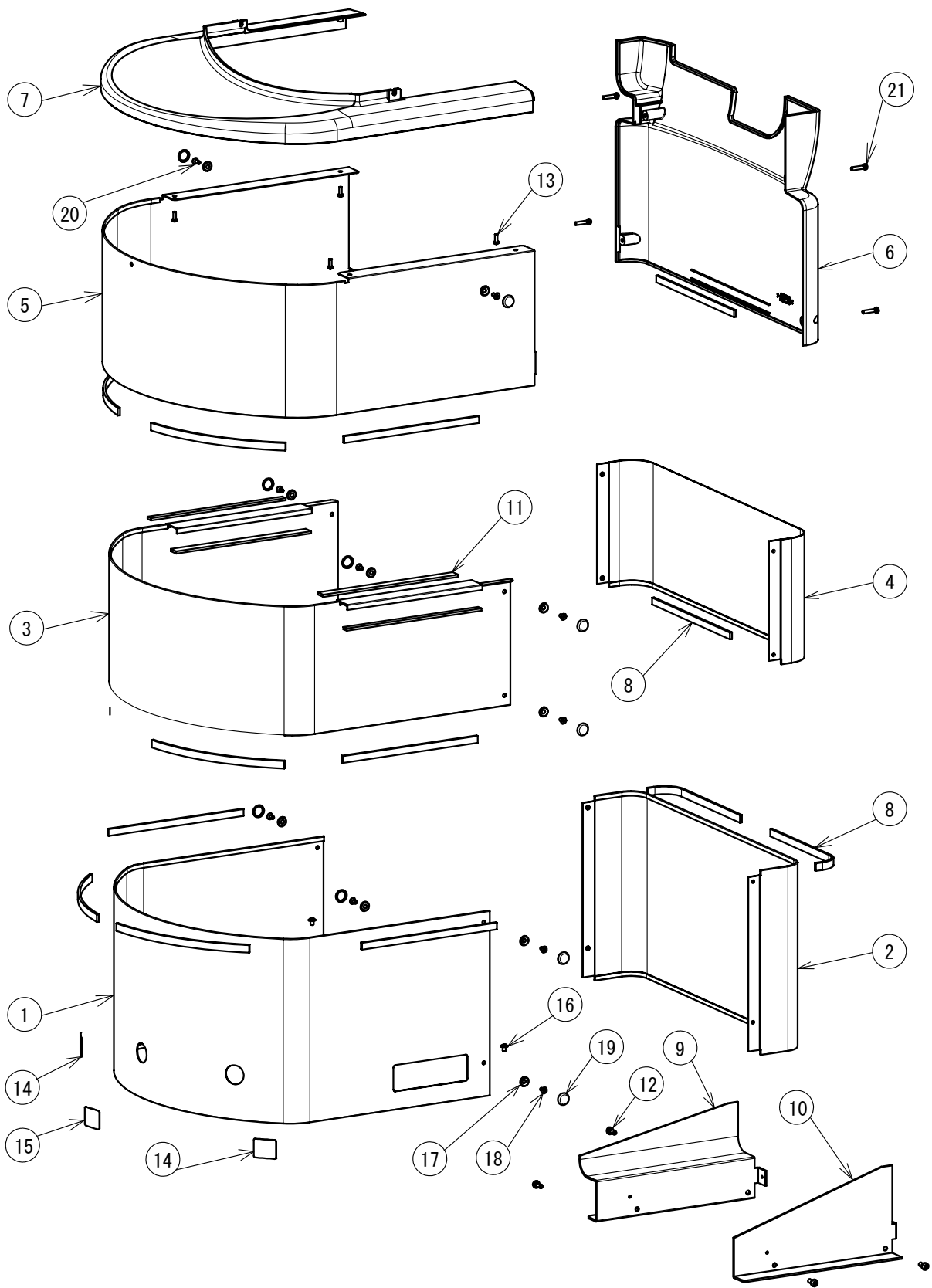


30 INNER RAIL(R)



NO.	PARTS NO.	DESCRIPTION	QTY	APPLICABLE SERIAL NO.	LEAD TIME	NOTE
1	C18 - AADJ93B0	BRACKET FOR RAIL(L)	1		A	
2	C18 - AEFW28A0	SLIDE RAIL ID:FBR35S(THK)	1		A	
3	C18 - 1E00UVA0	TRUSS M4x5 BLACK WITH LOCK	6		A	
4	C18 - AADJ91B0	BRACKET FOR INNER RAIL(L)	1		A	
5	C18 - AADJ92B0	BRACKET FOR INNER RAIL(R)	1		A	
6	C18 - AADJ94B0	BRACKET FOR RAIL(R)	1		A	
7	C18 - X-50520	NYLON CLAMP ID:3304 1/4	2		B	
8	C18 - ZA761LLG	SOCKET HEAD SCREW M4x5 BLACK	2		A	
9	C18 - 1E00AAA0	BIND HEAD SCREW M4x8 CHROME	1		A	
10	C18 - ZB562LAY	WASHER M4x10x0.8 CHROME	1		A	
11	C18 - AANO74B0	C-SHAPED SPACER 4x4L	1		A	
12	C18 - 1A0PBHB0	POTENTIOMETER FOR ROLL WITH HARNESS	1		B	
13	C18 - AADS32C0	PLATE FOR POTENTIOMETER	1		B	

BASE COVER



NO.	PARTS NO.	DESCRIPTION	QTY	APPLICABLE SERIAL NO.	LEAD TIME	NOTE
1	C18 - 1A0RC8A0	COVER FOR BASE D(REAR)	1		C	
2	C18 - 1A0MWNA0	COVER FOR BASE D(FRONT)	1		B	
3	C18 - AADB59A0	COVER FOR BASE B(REAR)	1		B	
4	C18 - AADE67A0	COVER FOR BASE B(FRONT)	1		C	
5	C18 - AADB58A0	COVER FOR BASE A(REAR)	1		C	
6	C18 - AADE71B0	COVER FOR BASE A(FRONT)	1		B	
7	C18 - AADE72B0	COVER FOR BASE TOP	1		B	
8	C18 - AADS43B0	FELT A	17		B	
9	C18 - AADJ97A0	PLATE FOR TILT (L)	1		B	
10	C18 - AADJ98A0	PLATE FOR TILT (R)	1		B	
11	C18 - AADS44A0	FELT B	2		B	
12	C18 - ZA887NSY	PAN SEMS SCREW 2P M5x12 CHROME	4		A	
13	C18 - AFFX58A0	PAN HEAD SCREW TYPE-P M4x10 CHROME	4		A	
14	C18 - 1A0RMNA0	SEAL FOR STICK (AUTO)	1		B	
15	C18 - 1A0RMPA0	SEAL FOR STICK (MANUAL)	2		B	
16	C18 - ZA114LNY	TRUSS M4x6 CHROME	2		A	
17	C18 - DEAS14A0	SET CAP WASHER (WHITE)	10		A	
18	C18 - ZA112LNY	FLAT HEAD SCREW M4x6 CHROME	8		A	
19	C18 - DEAS15A0	COVER FOR SET CAP	10		A	
20	C18 - ZA112LRY	FLAT HEAD SCREW M4x10 CHROME	2		A	
21	C18 - ZA887LWY	PAN SEMS SCREW 2P M4x20 CHROME	4		A	

NOTE

PRO III 047 CHAIR PARTS LIST REVISION RECORD

DATE		CONTENT
12-Jun-19	FIRST	



TAKARA BELMONT CORPORATION

2-1-1, Higashishinsaibashi, Chuo-ku, Osaka, 542-0083, Japan

TEL : 81-6-6213-5945

FAX : 81-6-6212-3680

BOOK No. 1E07BEA0

