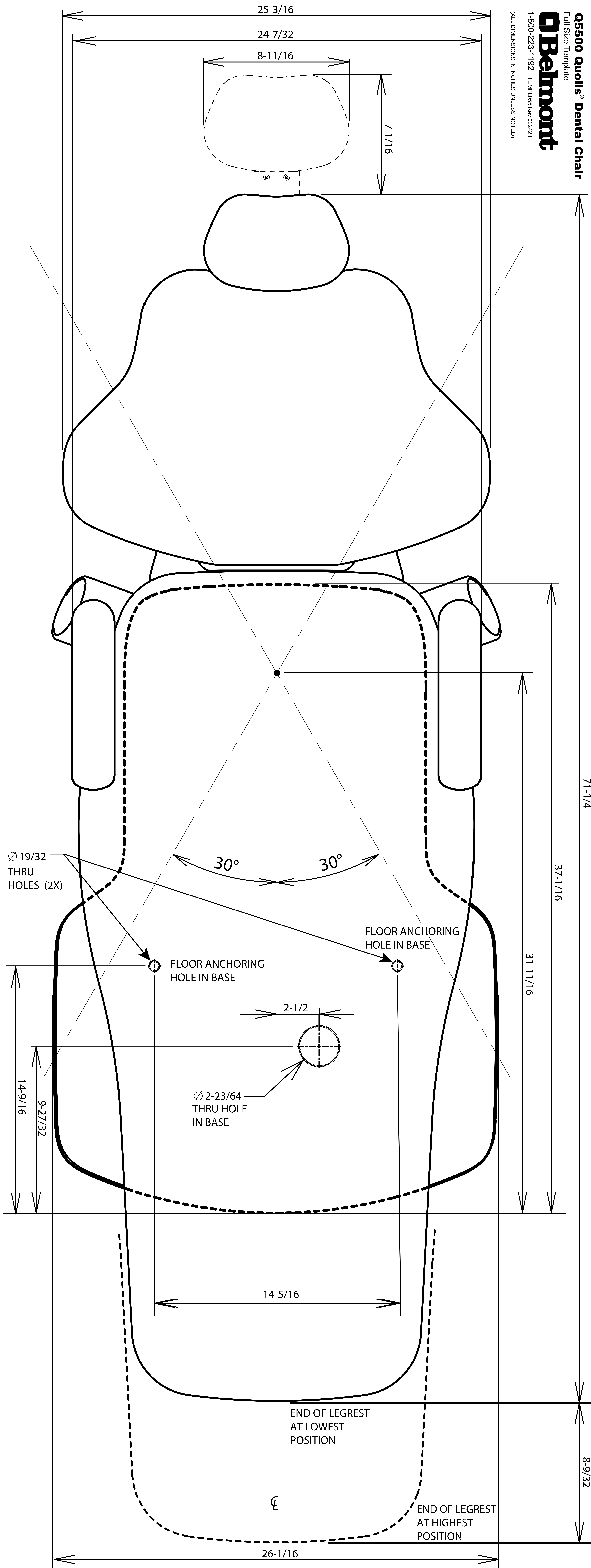


Q5500 Quolis® Dental Chair
Full Size Template

1-800-223-1192 TEMPL05S Rev.022423
(ALL DIMENSIONS IN INCHES UNLESS NOTED)



25-3/16

24-7/32

8-11/16

7-1/16

71-1/4

37-1/16

31-11/16

Ø 19/32
THRU
HOLES (2X)

FLOOR ANCHORING
HOLE IN BASE

FLOOR ANCHORING
HOLE IN BASE

2-1/2

Ø 2-23/64
THRU HOLE
IN BASE

14-9/16

9-27/32

14-5/16

END OF LEGREST
AT LOWEST
POSITION

END OF LEGREST
AT HIGHEST
POSITION

26-1/16

8-9/32