



Quolis[®]
ODU Delivery System

■ Quolis®

QDU Delivery System

Enhance the functionality of the workspace with feature-packed delivery systems.



Centralized Control

Membrane control panel and digital display are centrally located on the delivery head, offering operators control of patient seat positioning, as well as parameter selection for integrated options.

Seat Positioning

Seat positioning touchpads are located on the delivery head and assistant's instrumentation arm, allowing either operator to position the patient.

Vac-Pac Operations

Stand-alone and PMU-mounted
Assistant instrumentation arms are height adjustable to better position instruments for easy access.

ODU-5371 Delivery System with cuspidor & assistant instruments

ODU-5871 Delivery System with swing-mount Bel-Halo light

ODU-5879 Delivery System with monitor arm & bracket





Integration

Individual adjustable handpiece holder angle facilitates easy access to handpieces and instruments and minimizes the chances of accidental injury through contact with burrs.



Versatility

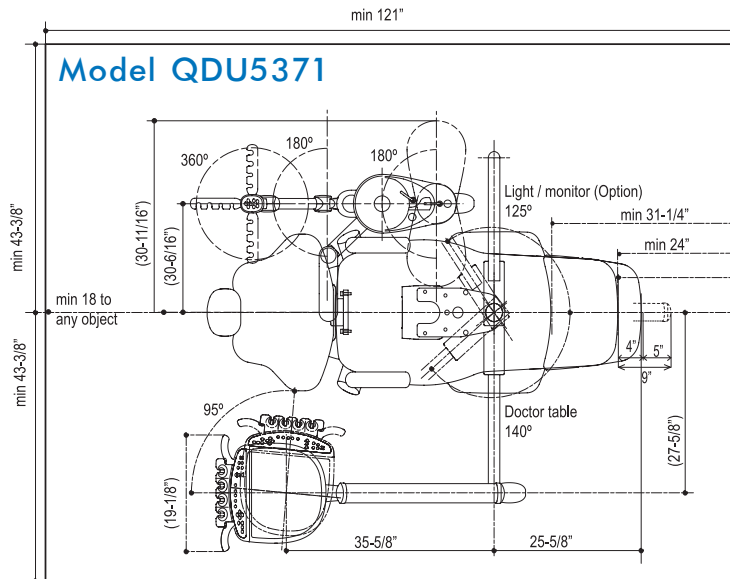
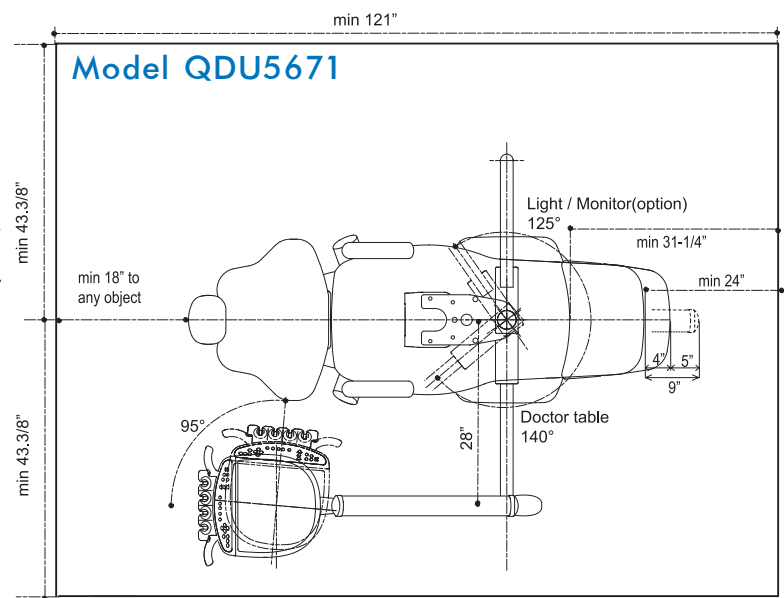
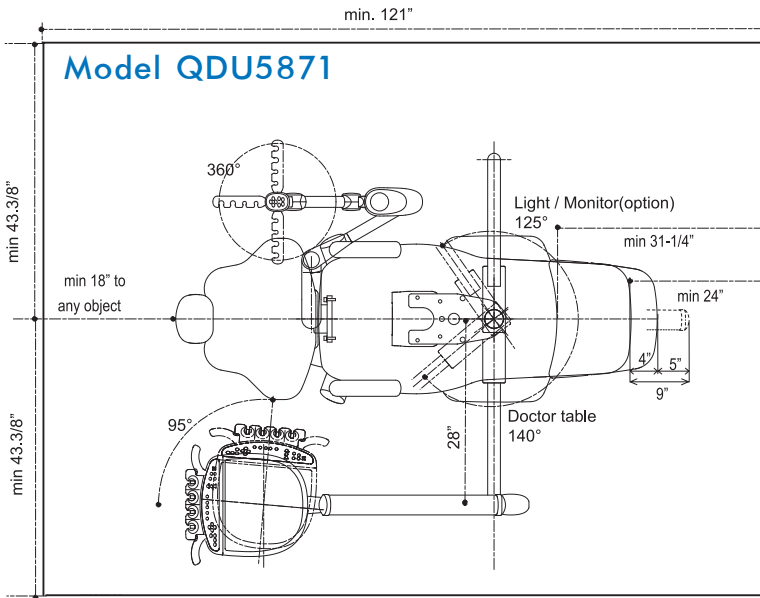
Easily convertible for left- or right-handed operators.



Controls

Cupfill and bowl rinse can be controlled from the cuspidor or delivery head.





SPECIFICATIONS

Controls:	Three handpiece control with Air/Water Syringe
Convertible:	Left or Right Handed
Touchpad:	Intergrated for chair and unit functions
Brakes:	Balance Arm with air brakes on each handle
Weight:	176 lbs
Water System:	Bottled water system with quick connect

Belmont Equipment
 101 Belmont Drive
 Somerset, NJ 08873
 (800) 223-1192
www.belmontequip.com

Takara Company Canada Ltd.
 2076 South Sheridan Way
 Mississauga, ON
 L5J 2M4, Canada
 (800) 268-5351
dental.takarabelmont.ca

Belmont
 Delivering Value in Quality

@BelmontEquipUS

