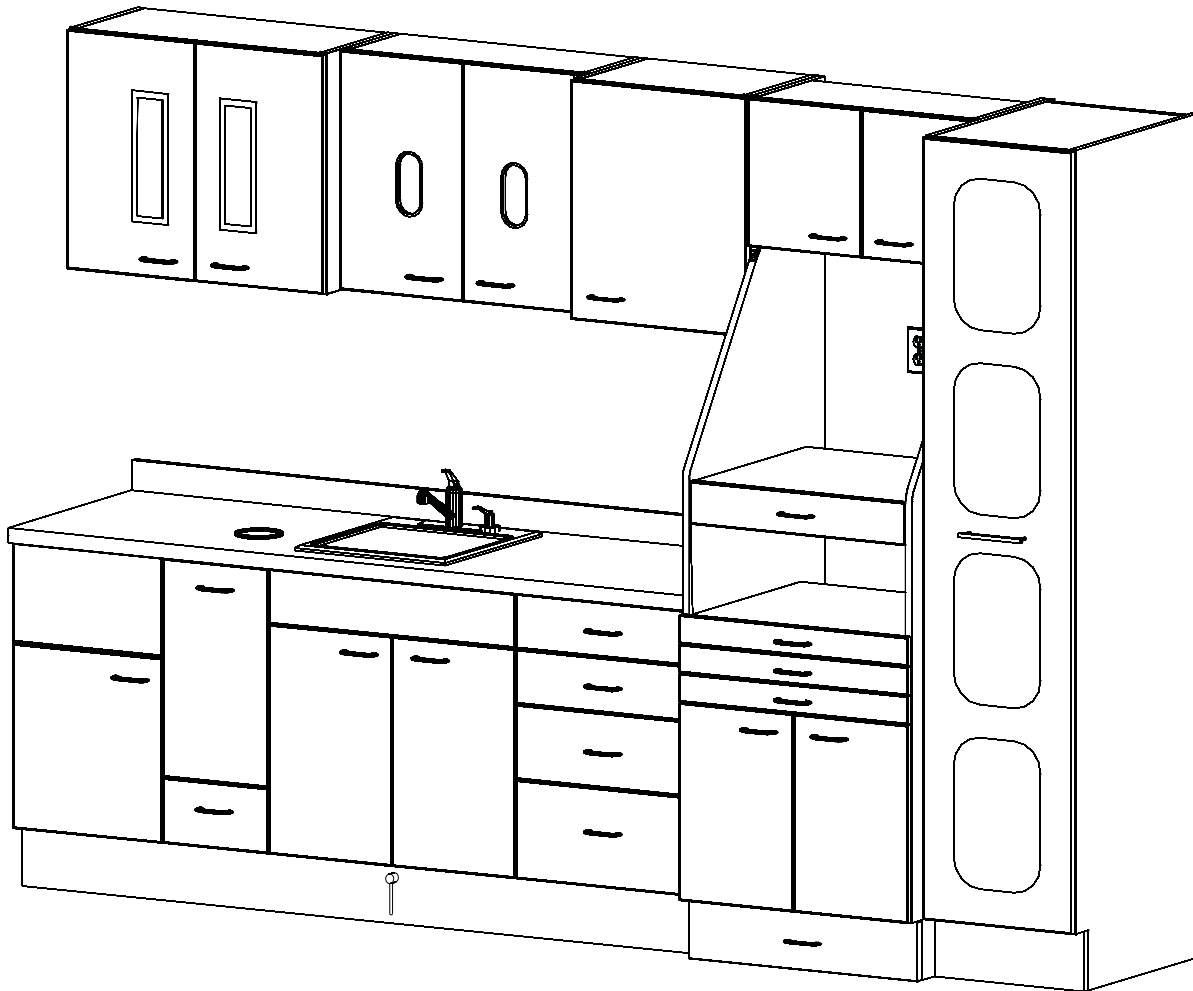


Installation Instructions & Owners Manual

**E-Series Dental Cabinetry
Model: E-120**



Consumer: Please retain these instructions for future use.

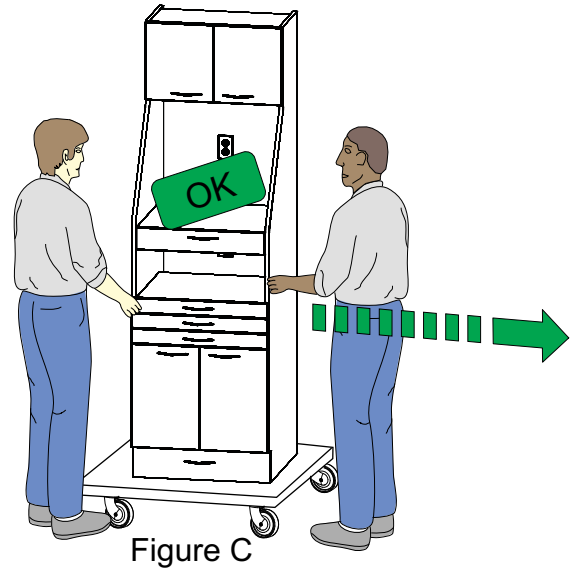
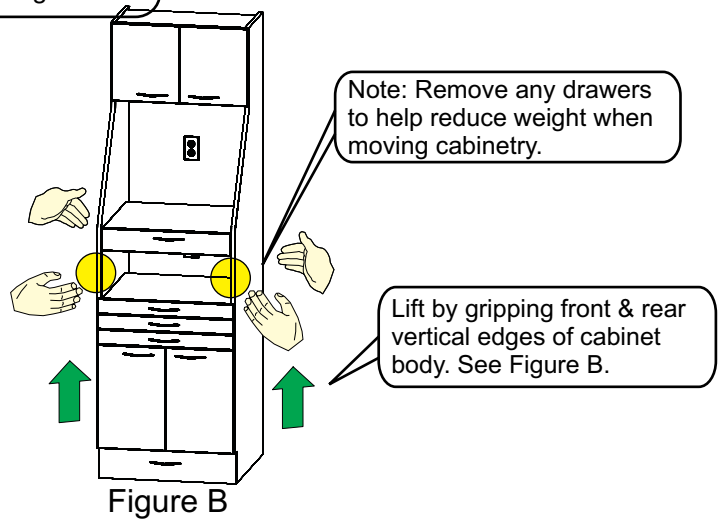
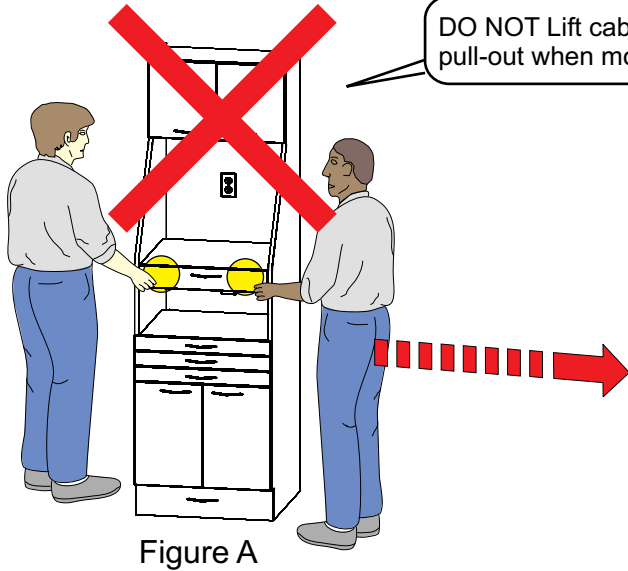
Version: 03282013



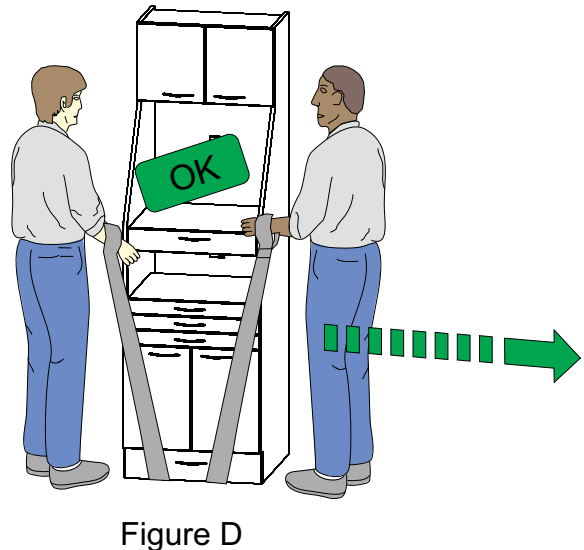
1631 Dr. Martin Luther King Drive
St. Louis, MO 63106
(314) 231-7383 (888) 833-3682
Fax (314) 621-2296
www.belmontequip.com

General Cabinet Handling Information

Models: E-120



Move by using some type of roller dolly, slings or a comparable moving aid. See Figure C and D.

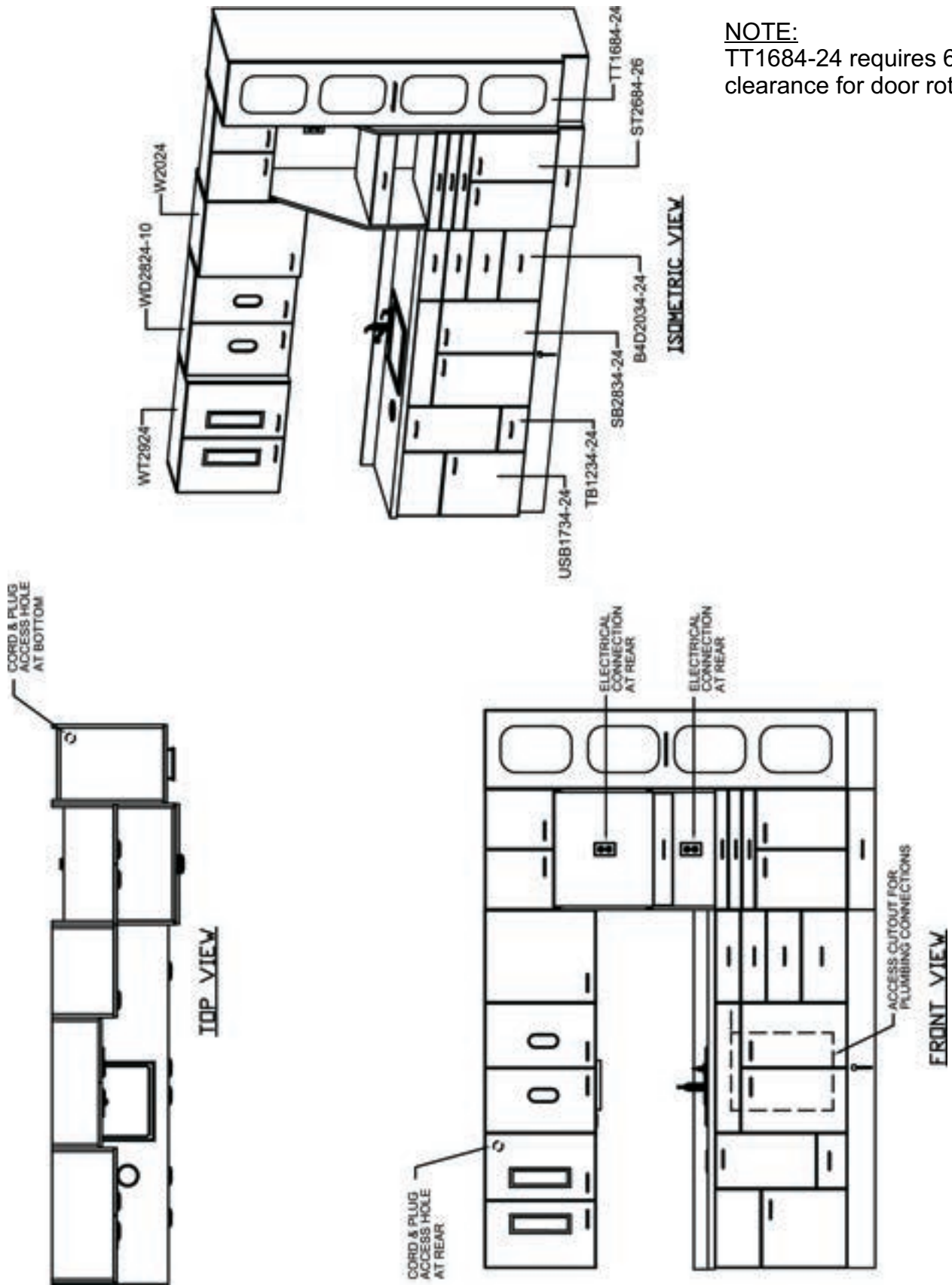


Detail Drawings

Model: E-120

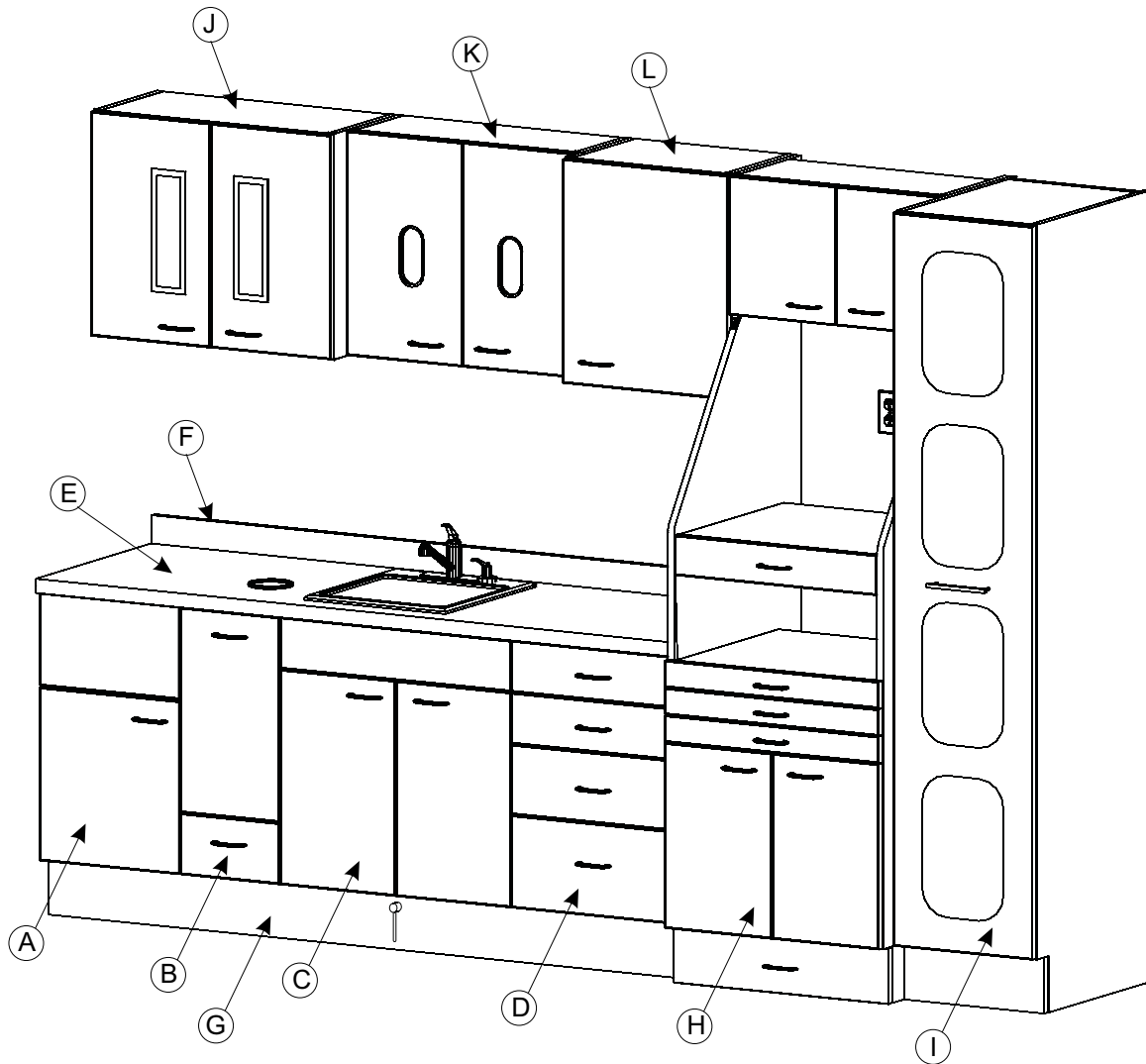
NOTE:

TT1684-24 requires 6" of clearance for door rotation.



Assembly Instructions

Model: E-120



Component Identification

- (A) USB1734-24
- (B) TB1234-24
- (C) SB2834-24
- (D) B4D2034-24
- (E) Top
- (F) Backsplash
- (G) Kickplate (front and end)
- (H) ST2684-26
- (I) TT1784-24
- (J) Wt2924
- (K) WD2824-10
- (L) W2024

Assembly Instructions

Model: E-120

NOTE:
 Assembly instructions are based on the standard E-120 Sterilization Center. Each site installation may contain a different combination of cabinetry but in general all installation guidelines are the same.

Step 1
 Confirm that the appropriate plumbing supply/drain and electrical rough-ins are in place.

Step 2
 Measure up 82" from the floor and mark a level line. The centerline represents the Hang Rail (J1) hole mounting centerline (see Figure 1A). Position the Hang Rail (J1) 5/8" in from the end of the desired location of end cabinet and secure to wall using an appropriate wall fasteners for the type of wall construction (J2) (see Figure 1B for common types). It is important to hit as many wall studs as possible while securing Hang Rail to wall.

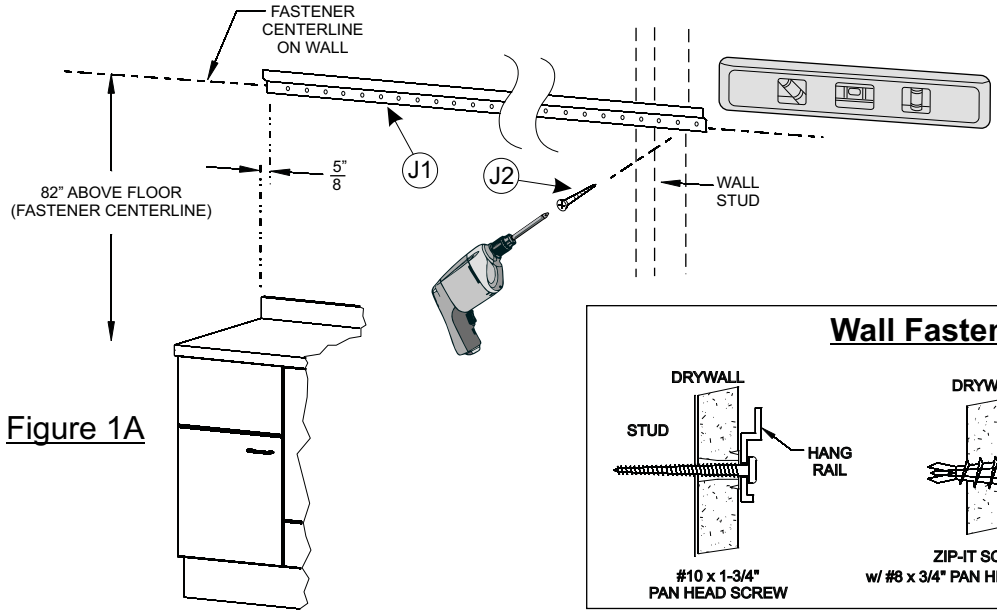


Figure 1A

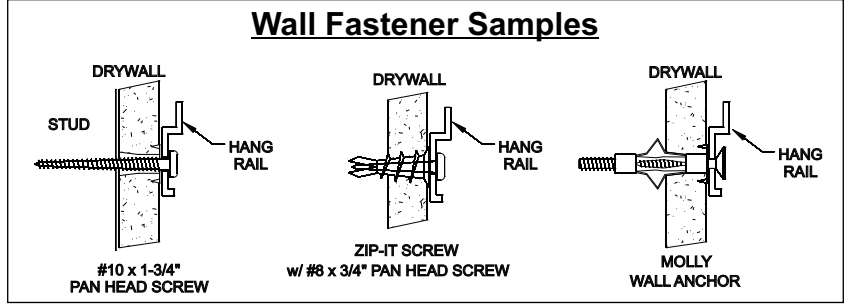


Figure 1B

Step 3
 At the upper corners of each wall cabinet, remove the break away web to enable a multiple wall cabinet installation. **DO NOT** remove the web for finished ends (see Figure 2A). With (2) people hang the Wall Cabinet (J) onto the Hang Rail (J1) (see Figure 2A) by placing cabinet against the wall above the Hang Rail (J1) then slide down the wall until the hanger bracket snags the Hang Rail (J1). To tighten the cabinet to the Hang Rail use a screwdriver to tighten (see Figure 2B). Tighten the screw on both Hanger Brackets per wall cabinet. Plug the interior lamp into a wall outlet **controlled by customer supplied light switch** through the access hole at the upper rear corner of The Wall Cabinet.

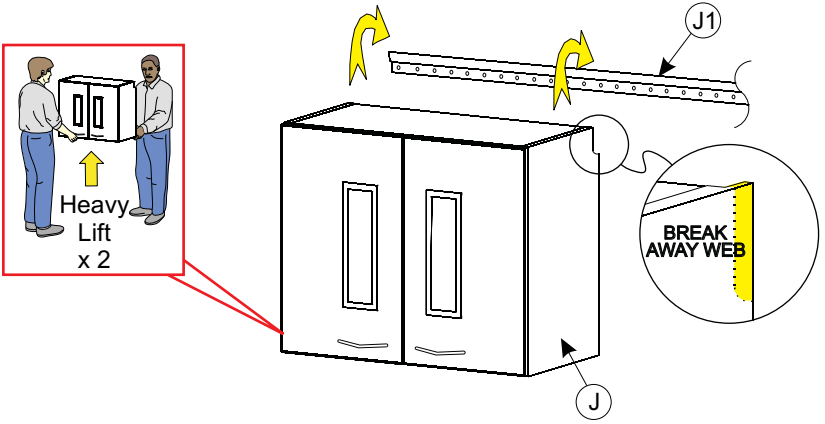


Figure 2A

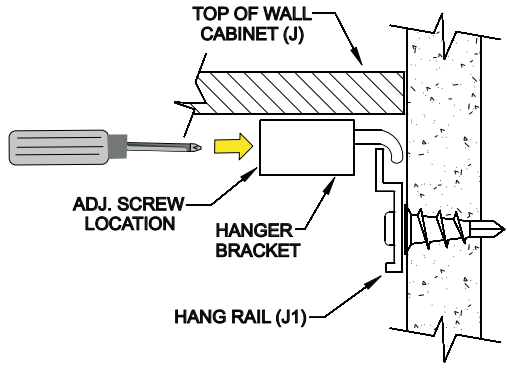
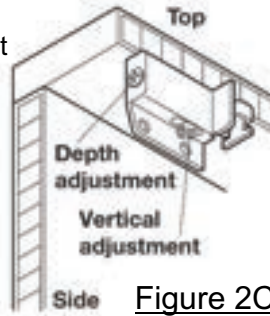


Figure 2B

Step 3 (Continued)

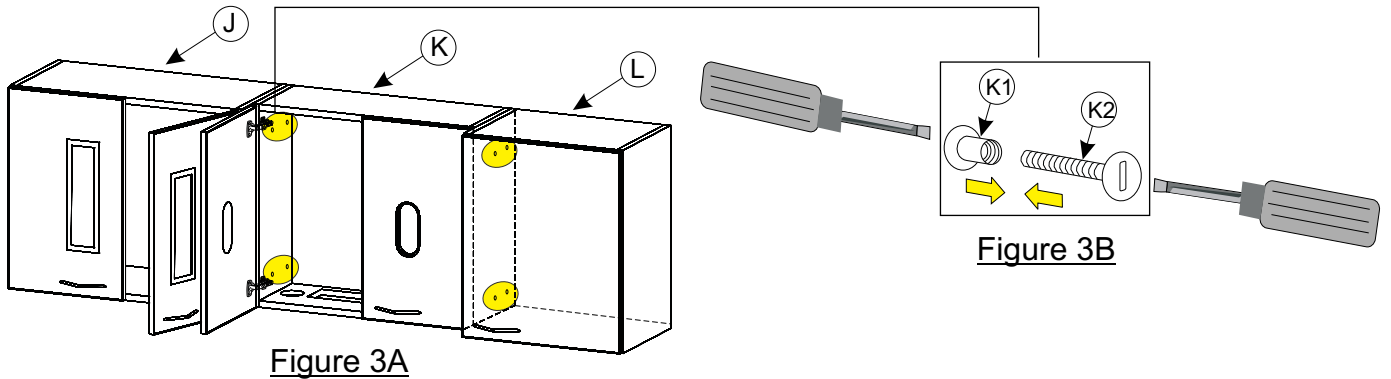
Cabinet hangers have a 5/8" vertical adjustment and 9/16" depth adjustment (see Figure 2C).



Assembly Instructions Model: E-120

Step 4

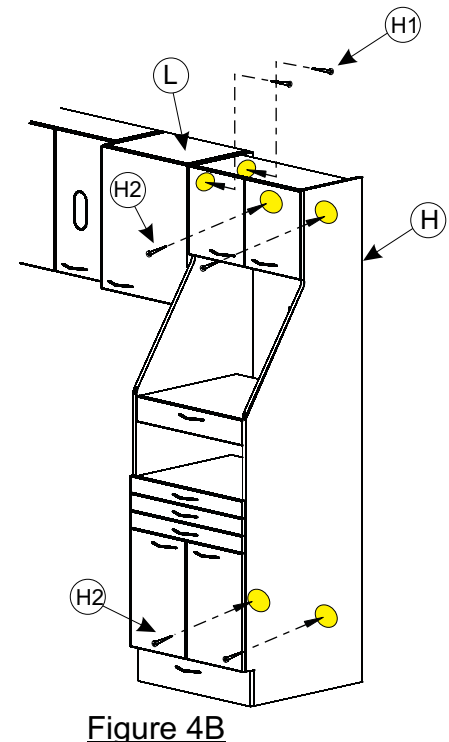
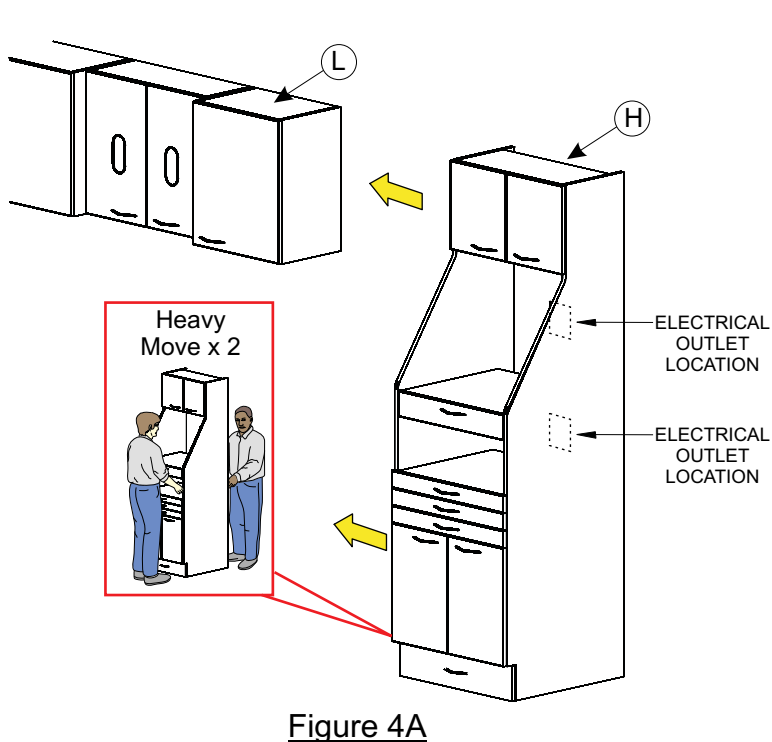
Hang remaining Wall Cabinets (K & L) (see Figure 3A). Secure Wall Cabinets together by inserting (4) Connectors through the (4) holes in each Wall Cabinet end panel and tightening with screw drivers (see Figure 3B).



Step 5

Move Sterilization Cabinet (H) into position and make electrical connections at the outlets in the back panel. Move the cabinet flush against the wall and against the last Wall Cabinet (L) (see Figure 4A) Make sure the cabinet is flush and level (shim if necessary).

The Sterilization Cabinet (H) may be secured to the Wall Cabinet and/or the wall if so desired. Recommended locations for doing so are shown (see Figure 4B). Use a maximum of 1-1/8" long wood screw (H1) to attach thru the upper storage area to the wall cabinet. Use a proper wall fastener (H2) to secure to the wall thru the back panel.



Assembly Instructions

Model: E-120

Step 6

Move Tall Tower Storage Cabinet (I) into position flush against the wall and against the last Sterilization Cabinet (H) (see Figure 5A). Plug the interior lamps into a floor outlet **controlled by customer supplied light switch** through the access hole at the bottom rear corner of the Tall Tower Storage Cabinet (I). Make sure the cabinet is flush and level (NOTE: 6" of clearance from the side wall is required for door rotation, shim if necessary).

The Tall Tower Cabinet (I) may be secured to the Sterilization Cabinet (H) and/or the wall if so desired. Recommended locations for doing so are shown (see Figure 5B). Use a maximum of 1-1/8" long wood screw (H1) to attach thru the left side area to the Sterilization Cabinet (H). Use a proper wall fastener (H2) to secure to the wall thru the back panel.

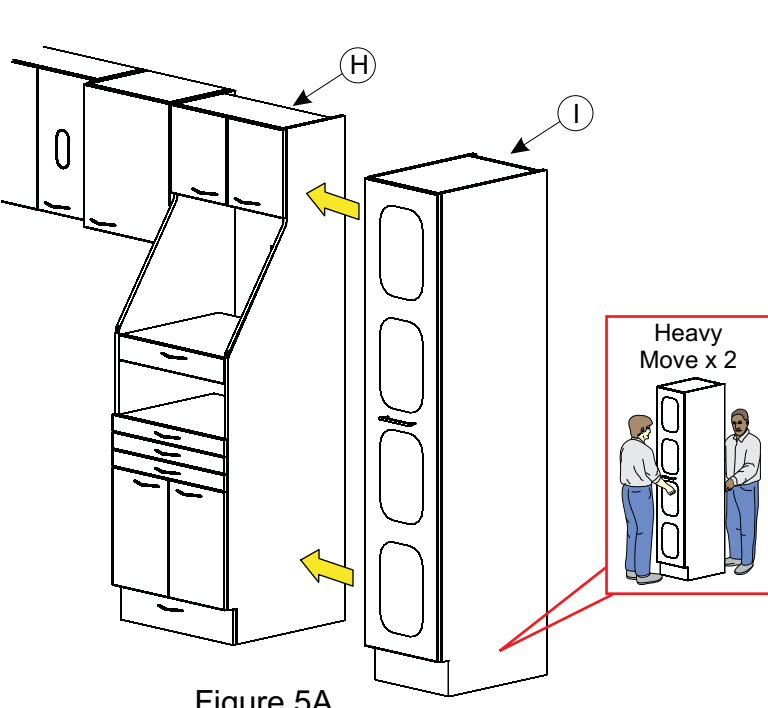


Figure 5A

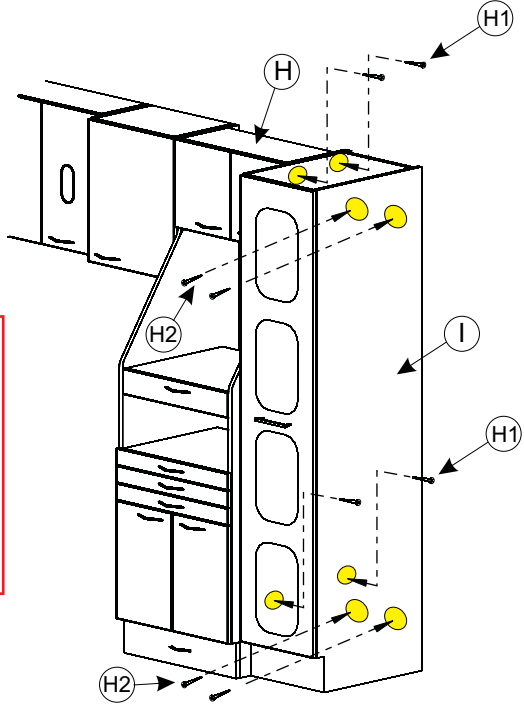


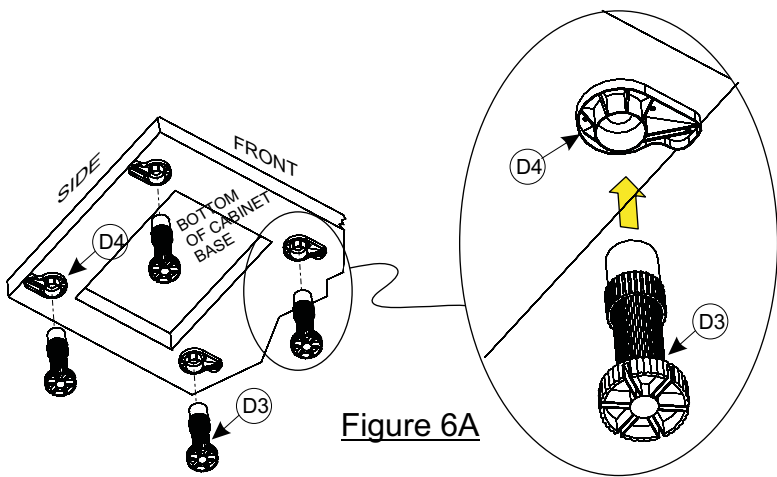
Figure 5B

Assembly Instructions

Model: E-120

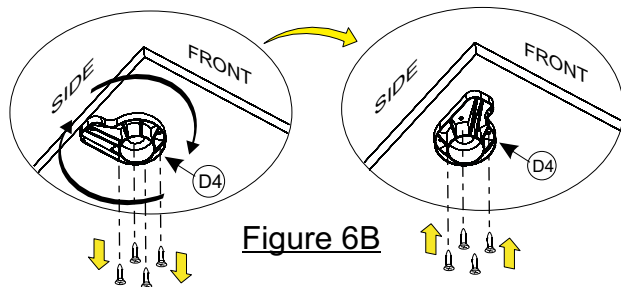
Step 7

Mount the Leg Leveler (D3) to the Leg Leveler Base (D4) by inserting into the Leveler Base (D4) (see Figure 6A).



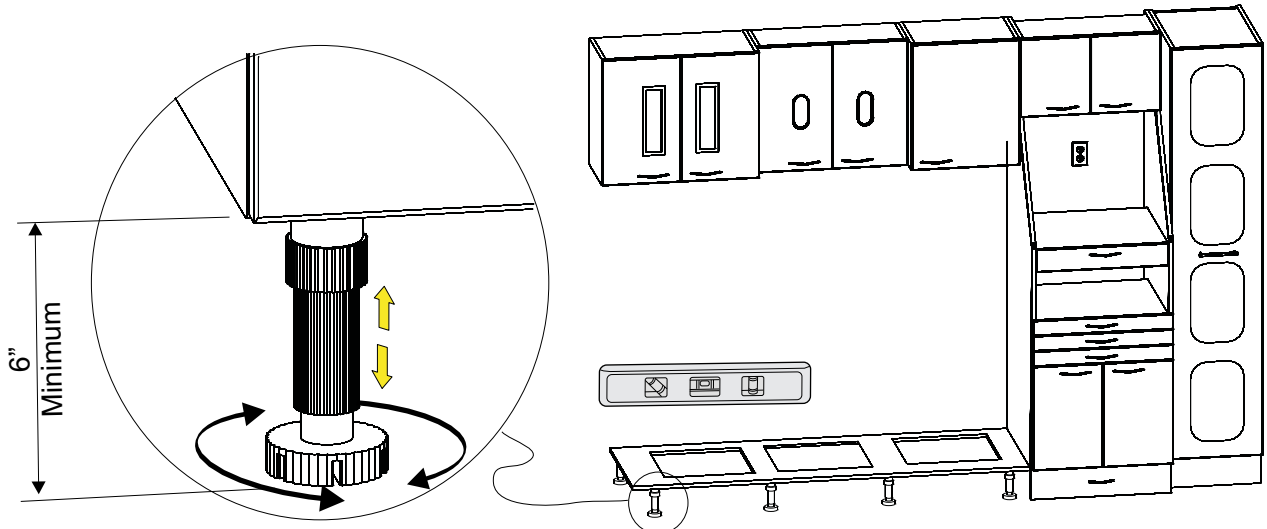
IMPORTANT

When a finished side toe-kick is used, the Leg Leveler Bases (D4) on that side must be removed and rotated 90° to allow clearance for the toe-kick (see Figure 6B) once installed.



Step 8

Level the Cabinet Base allowing a minimum of 6" for the Kickplate (see Figure 7).



Assembly Instructions

Model: E-120

Step 9

Place the cabinets (A thru D) into the proper location (using fillers where needed) (see Figure 8). Using supplied #6 x 1-1/2" wood screws mount each lower cabinet to cabinet base with (4) wood screws each.

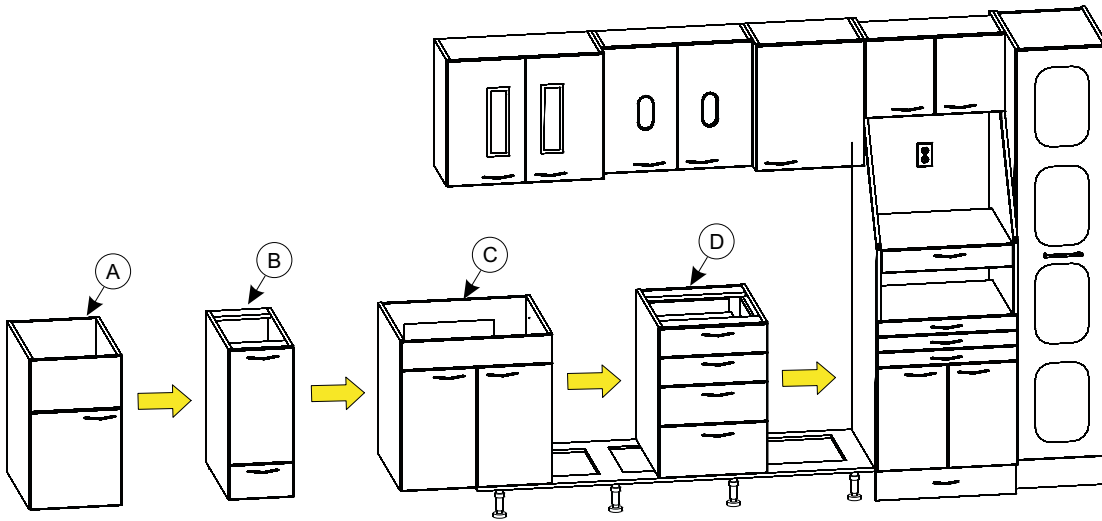


Figure 8

Step 10

Secure Cabinets (A, B, C & D) together by opening doors/removing drawers and inserting (4) Connectors (K1 & K2) through the (4) holes through each side panel. Tighten Connectors with screw drivers (see Figure 9).

Note:

If holes are not drilled through fully:
Drill (4) 5/16" holes through the side panels
in approximate locations as shown below
(pilot holes will locate positions).
Be careful not to drill into drawer slides or
other hardware of cabinet connecting to.

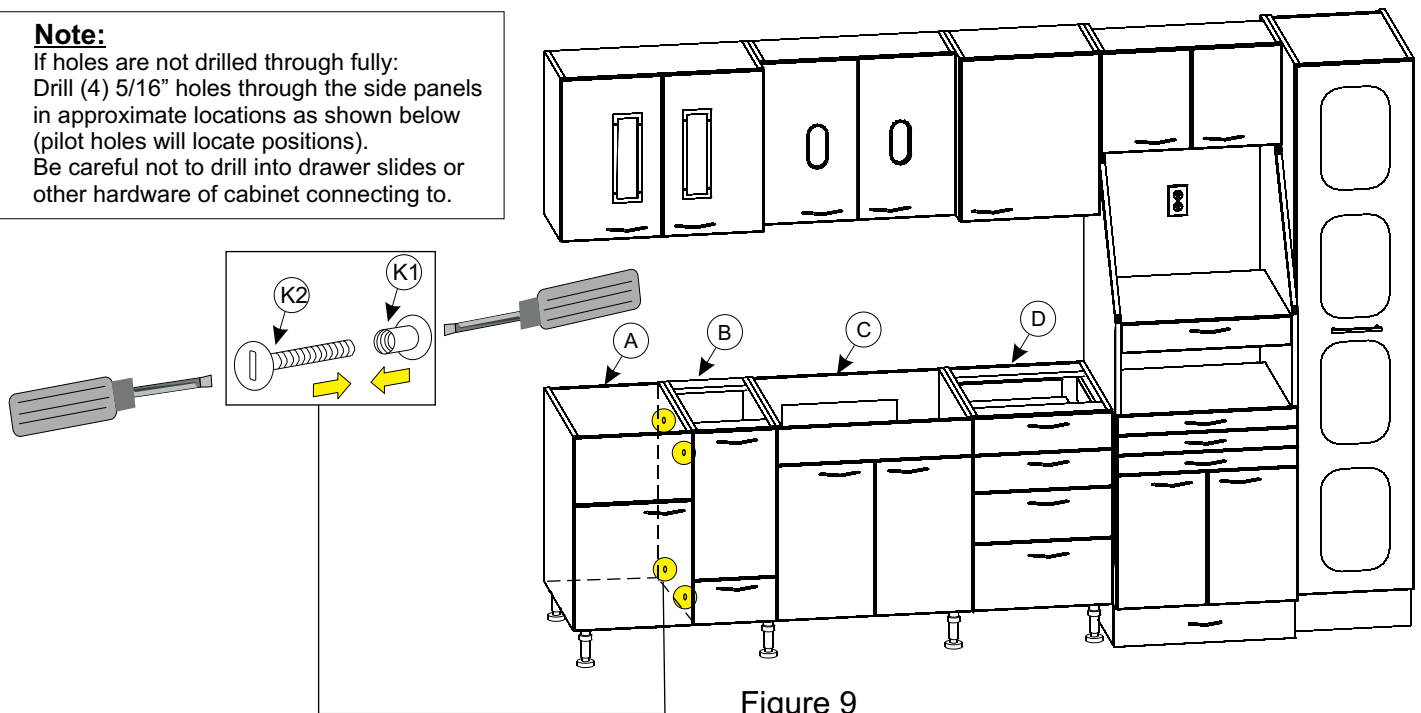


Figure 9

Assembly Instructions

Model: E-120

Step 11

Place Top (E) onto cabinets with the back edge flush with the wall and the right edge flush with the ST2684-26 Sterilization Cabinet (H) (see Figure 10). Secure the Top (E) to the cabinets by using #8 x 1-1/2" flat head screws. Screw through each Cleat and each Stretcher into the buildups on the underside of the Top.

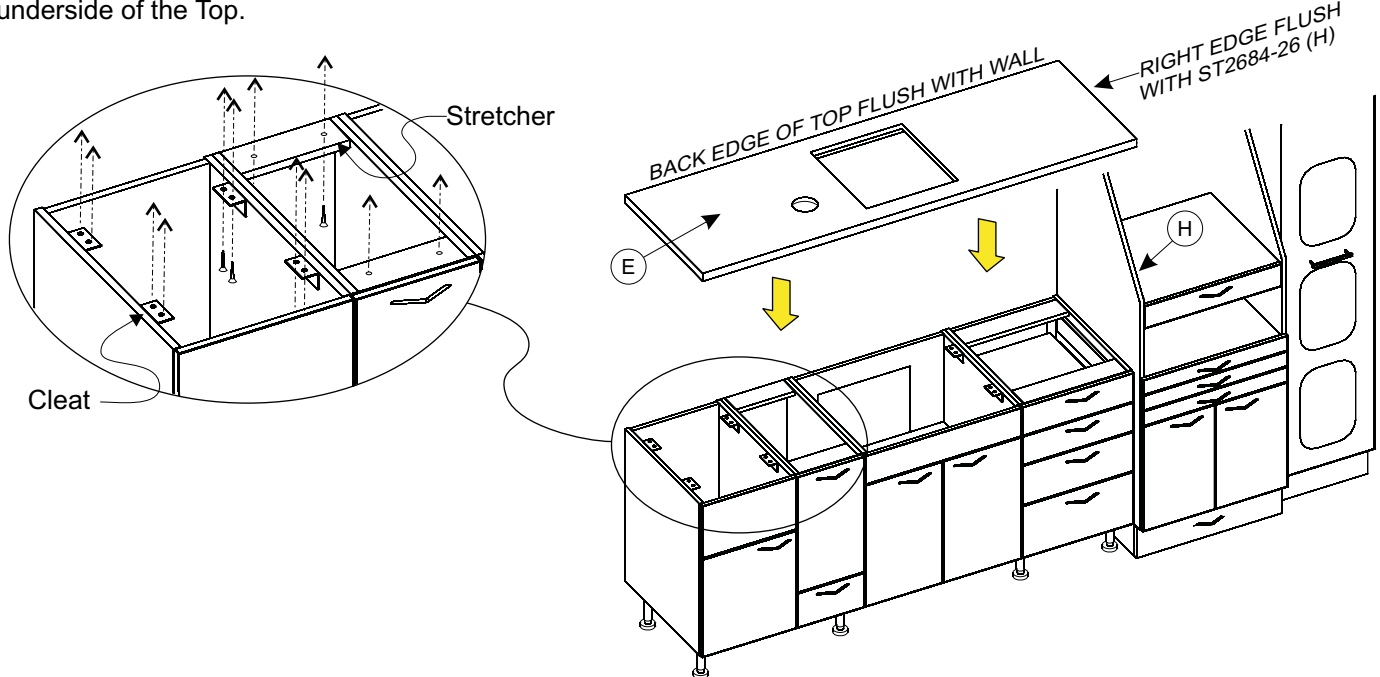


Figure 10

Step 12

Apply Construction Adhesive to wall and set Backsplash (F) into place on the Top (E) and up against the wall (see Figure 12A). Seal with Clear Silicone Rubber at seam of Backsplash (F) and Top (E) (see Figure 12B).

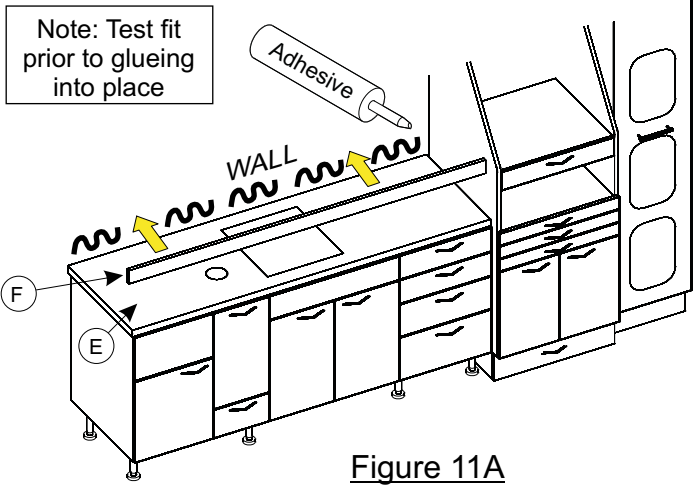


Figure 11A

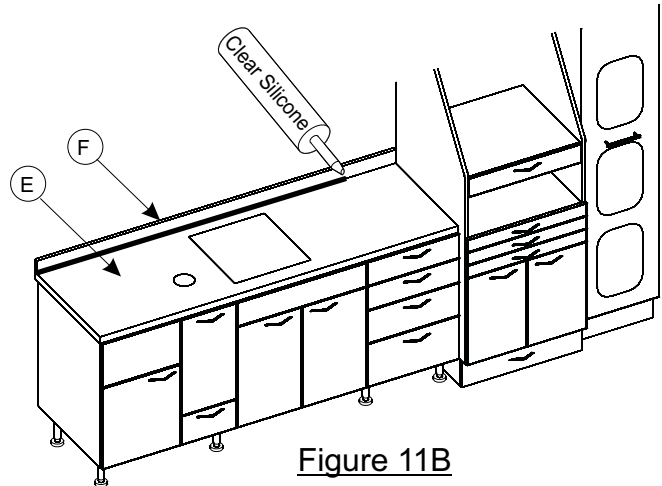


Figure 11B

Assembly Instructions

Model: E-120

Step 13

Install Kickplates (G1 & G2) by snapping clips onto legs. (see Figure 12).

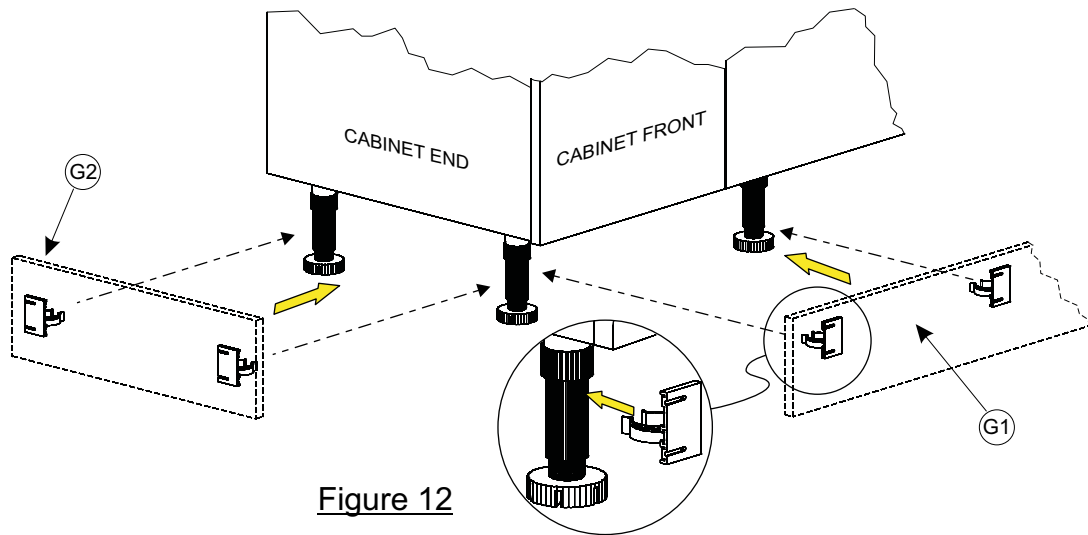


Figure 12

Step 14

Mount Sink (C1) to counter top per instructions within sink packaging (see Figure 13). Mount Faucet (C2), Strainer assembly (C3) and Tail Piece assembly (C4). Connect Tapmaster per instructions within Tapmaster packaging.

Make all supply/drain plumbing connections through the access at the rear of the cabinet. Make sure to verify plumbing work with local codes.

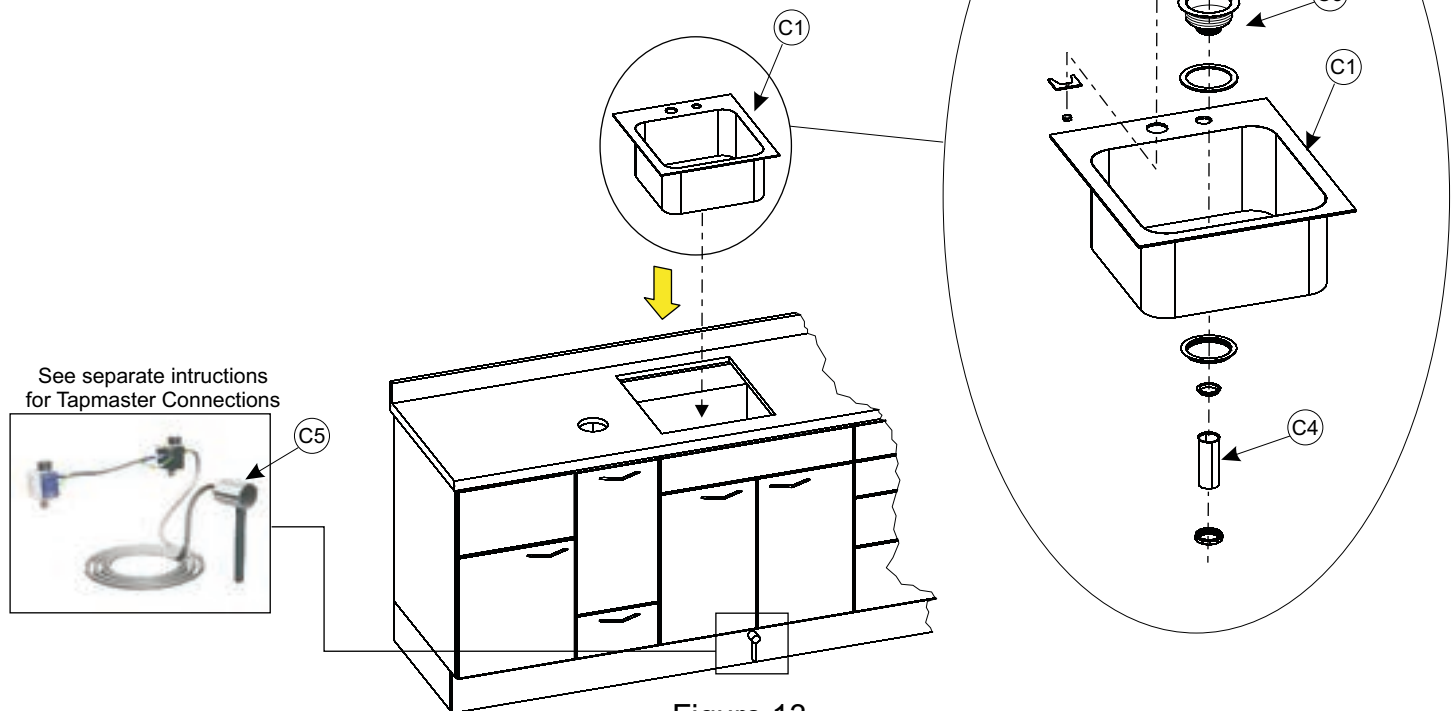


Figure 13

Assembly Instructions

Model: E-120

Step 17

Insert Towel Dispenser (K3) and Cup Dispenser (K4) into proper openings in Wall Cabinet (K). Insert the Shelf Supports (K5) into the holes in the interior end panels then set the Shelf (K6) onto the Shelf Supports (see Figure 16).

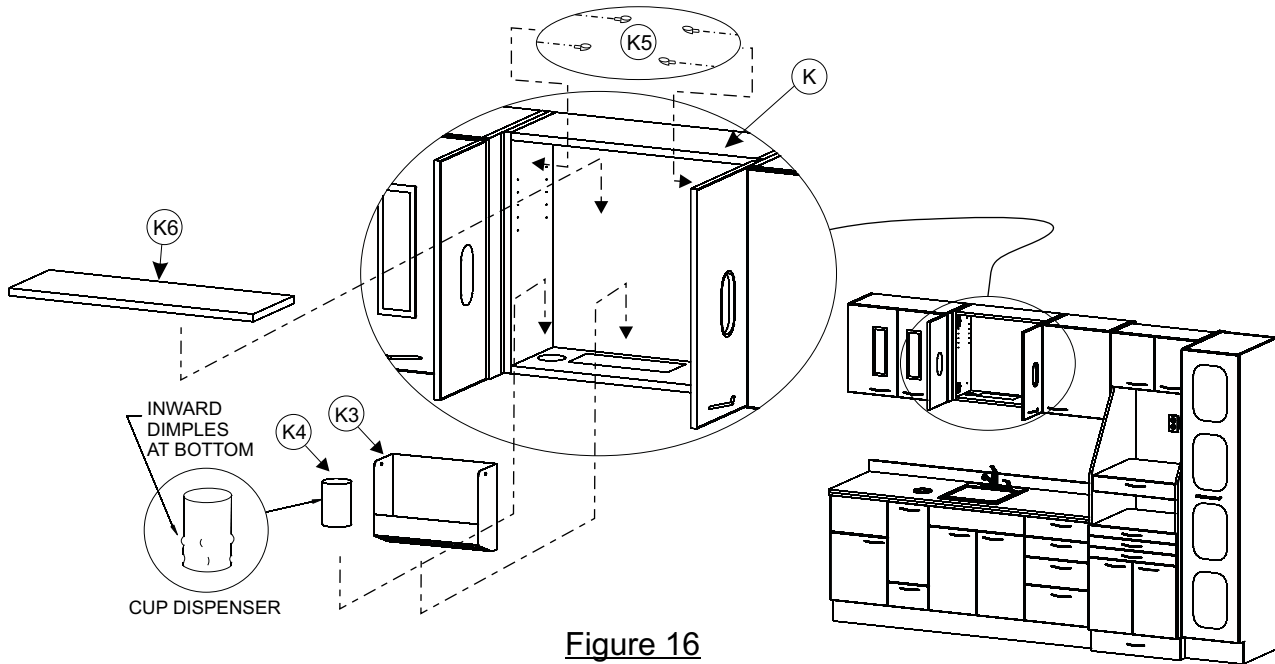


Figure 16

Step 18

Insert Shelf Supports (L1) into the holes in the interior end panels in the Wall Cabinet (L) then set each Shelf (L2) onto the Shelf Supports (see Figure 17).

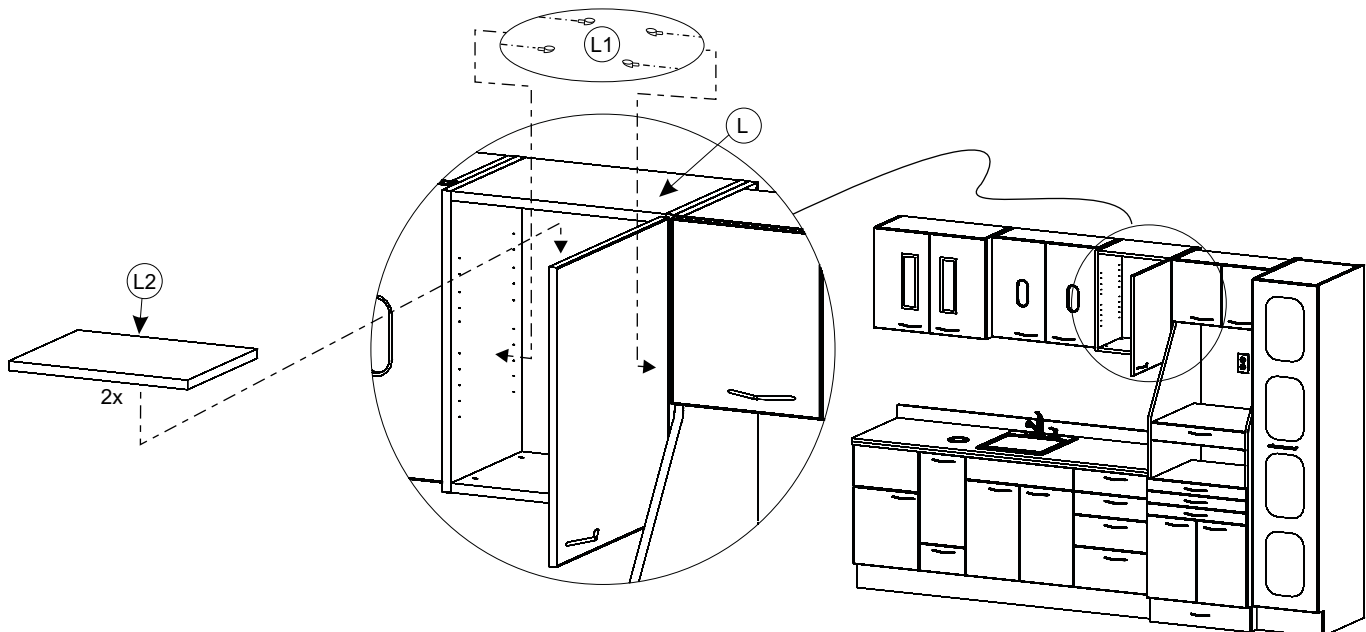


Figure 17

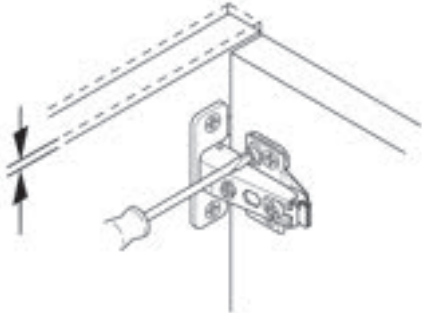
Installation Complete

Hinge Adjustments

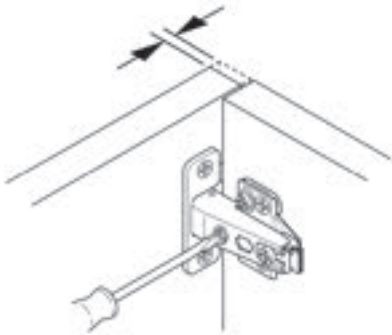
Model: E-120

Hinge Adjustment For Standard Doors

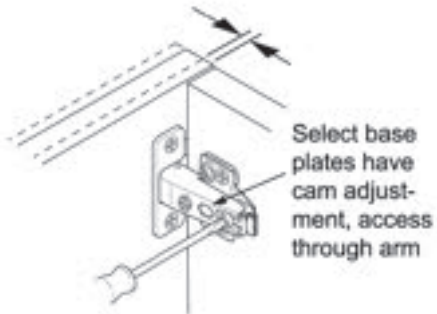
Height



Side

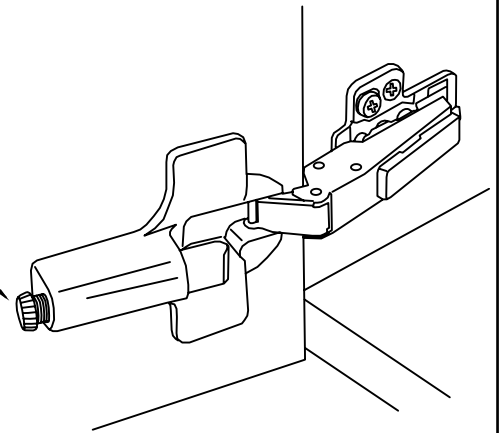


Depth



G-Force™ Controlled Closing Device

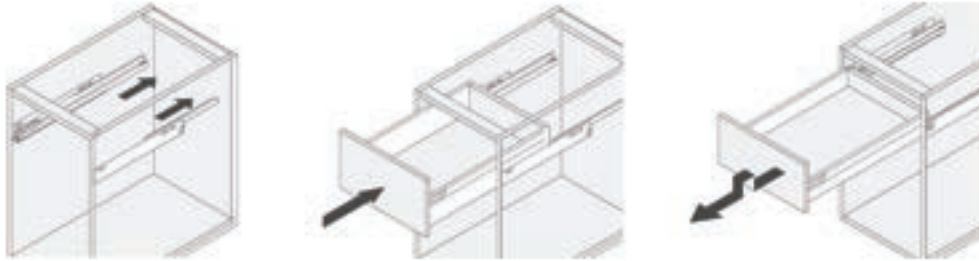
Knurled screw
adjusts closing
force



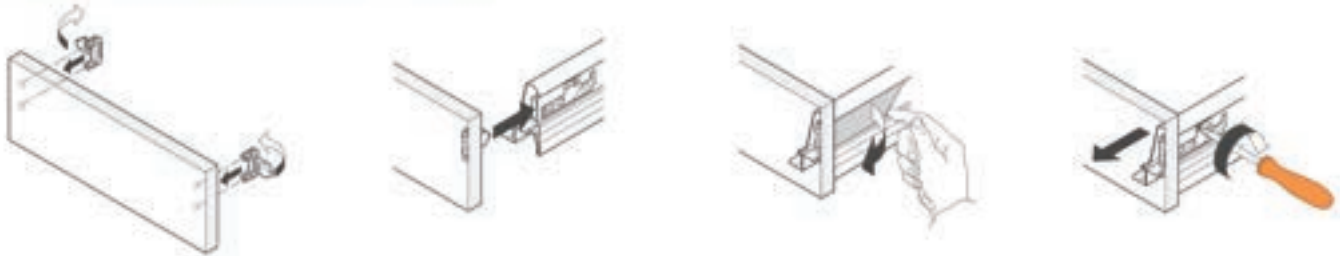
Drawer Assembly/Removal/Adjustments

Model: E-120

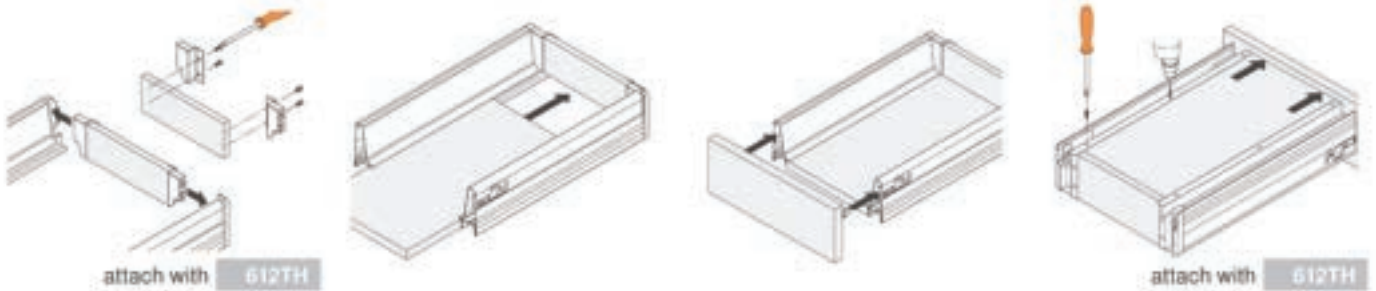
Drawer insertion and removal



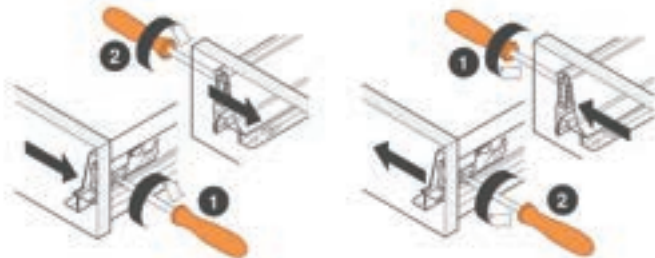
Drawer front attachment and removal



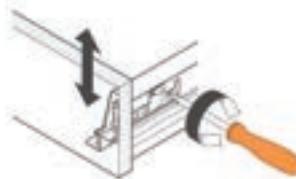
Drawer assembly



Side adjustment



Cam height adjustment

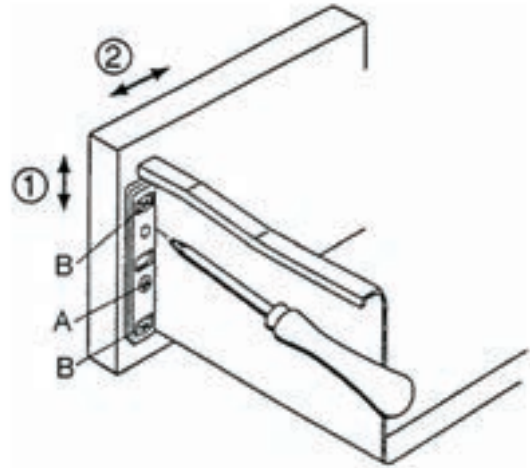


Drawer Adjustments

Model: E-120

Drawer Adjustment

- 1 – Height adjustment: Loosen screws **B** slightly. Adjust screw **A** (adjustment +/- 2mm). Tighten screws **B**.
- 2 - Side adjustment: Loosen screws **B** slightly. Adjust front to required position (adjustment range +/- 1.5mm). Tighten screws **B**.



Surface Cleaning

Ortho-Sys. ECO-Sys, D-Series, & E-Series

Belmont Recommends:

- *Countertop Magic*® for Laminate and Solid Surface Work Surfaces
- *Stone Clean and Polish Magic*® for Cambria Quartz Work Surfaces
- *Cabinet and Wood Magic*® for Laminate and Melamine Surfaces
- *Stainless Steel Magic*® for Stainless Steel Surfaces

Products available at Lowes®, Home Depot®, or @ www.magicamerican.com

Laminate/Melamine Surfaces

Clean surfaces with a damp cloth or sponge with a mild soap.

Stains may be removed with most non-abrasive household cleaners such as Formula 409®, Fantastik®, Glass Plus®, or Windex with Ammonia D®.

For tough stains, use a paste of baking soda and water and apply with a soft bristled brush. Although baking soda is a low abrasive, excessive scrubbing or exerting too much force may damage the decorative surface.

Many commercially available products contain substances that may damage or discolor the decorative surface. **Do not** use abrasive cleaners such as toilet bowl cleaners, hydrogen peroxide, oven cleaners, drain cleaners, metal cleaners and polishes, chlorine bleach, coffee pot cleaners, hard water stain removers, fruit and berry juice, tub and tile cleaners, or equivalent.

LG HI-MACS® Solid Surface Tops

Clean surfaces with a damp cloth or sponge with a mild soap.

Stains can easily be removed using a domestic all-purpose cleaner or for tough stains use a bleaching agent (**do not leave in contact with the work surface for more than five minutes**) and rinse with clean water.

Avoid using cleaning agents that contain acids, such as methyl chloride or acetone. Should one of these products accidentally come into contact with the material, as a precautionary measure, rinse the surface with soapy water to prevent any discoloring taking place.

For additional care/maintenance, visit: www.lghausys.com

Cambria® Quartz Work Surfaces

Clean surfaces with a damp cloth or sponge with a mild soap.

Do not use abrasive, strong alkaline, acid, free radicals, or oxidized cleaners (whether high, neutral or low pH). **Do not** use products such as bleach, oven cleaners, Comet®, Soft Scrub®, SOS®, products with pumice, batteries, paint removers, furniture strippers, or tarnish/silver cleaners. **Do not** use abrasive or harsh scrub pads. **Do not** apply sealers, penetrants or topical treatments, as such products will wear off and cause the gloss to appear dull or inconsistent.

For additional care/maintenance, visit: www.cambriausa.com