

Quolis[®] Series

QUOLIS DENTAL CHAIR

**Model : Q-5000 (AC-BEL5000)
120V/60Hz**

Parts List

Ver. 01.2

Feb 7, 2012

IMPORTANT

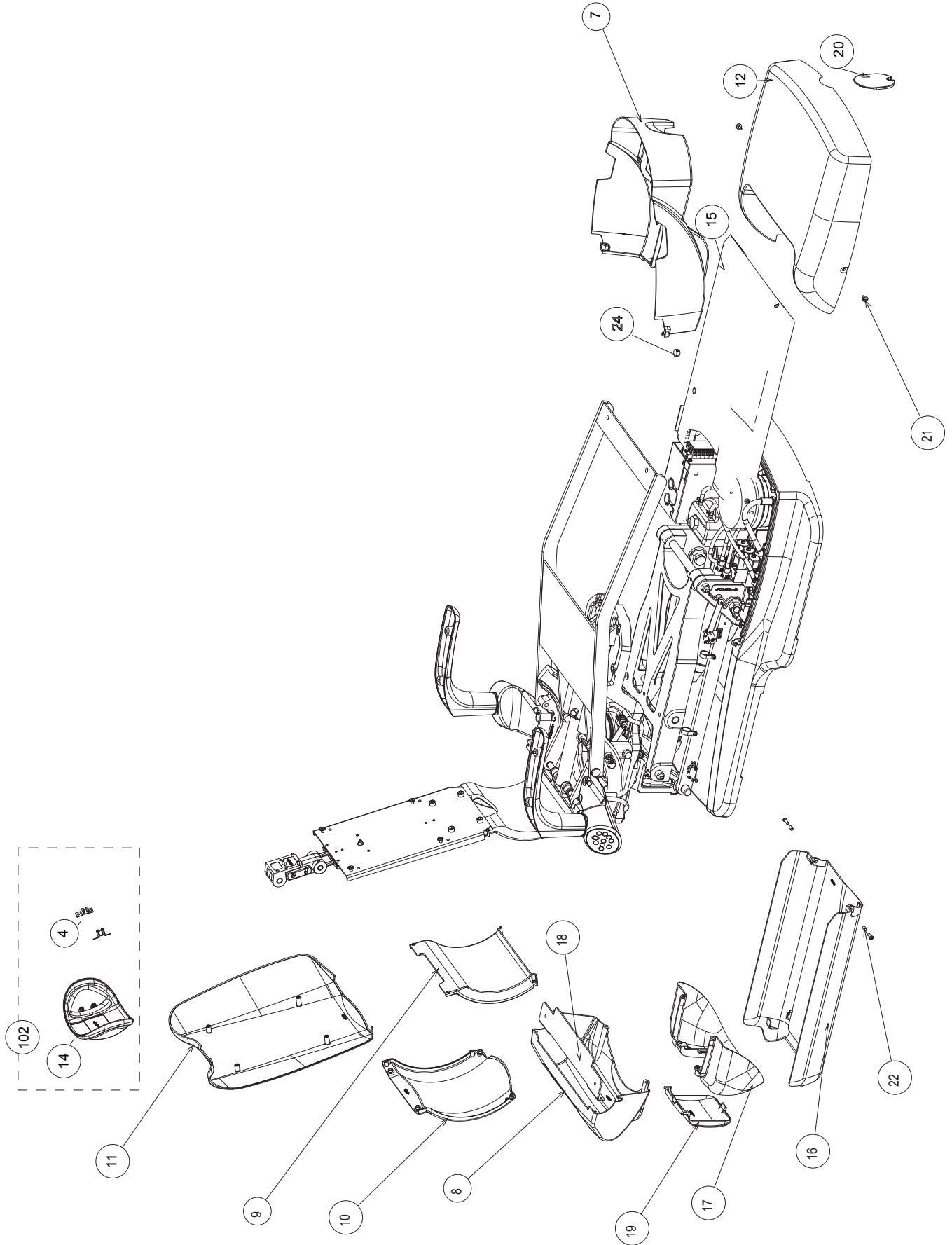
- Not all of the parts indicated in these lists are available by itself. Some of the parts can only be supplied as an assembled unit with other parts.
- Parts design, description and parts numbers are subject to change without notice.
- Not all of the parts are available in stock of Takara Belmont USA Inc. Some of the parts need to be arranged at receipt of your firm purchase order.



TABLE OF CONTENTS

1. Q-5000 Plastic Covers
2. Q-5000 Base Section
3. Q-5000 Top Section
4. Upholsteries
5. Wire harness section
6. Hydraulic hoses and hardware
7. Screws and parts for installation

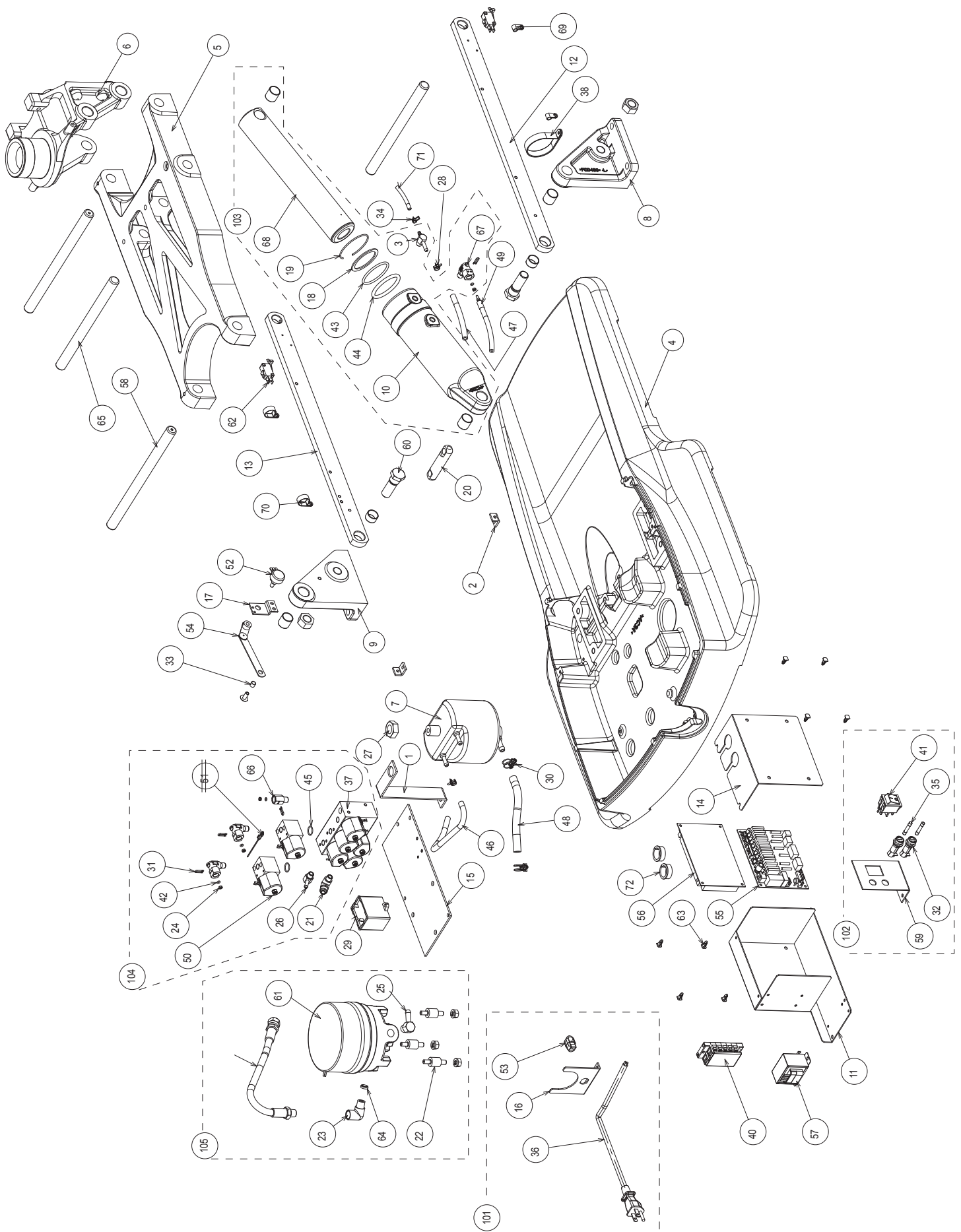
1. Q-5000 Plastic Covers



1. Q-5000 Plastic Covers

No.	Item No.	Description	Qty
4	AAER61A0	Clip for headrest cover	2
7	AAFC14A0	Upper cover (front)	1
8	AAFC15A0	Upper cover (Rear)	1
9	AAFC16A0	Backrest support cover (front)	1
10	AAFC17A0	Backrest support cover (rear)	1
11	AAFC18A0	Backrest cover	1
12	AAFC19A0	Pump cover	1
14	AAFF25A0	Headrest cover	1
15	AAFF26A0	Main link cover	1
16	AAFF27A0	Sub link cover	1
17	AAFF28A0	Flange cover (front)	1
18	AAFF40A0	Bracket for upper cover (Rear)	1
19	AAFK95A0	Flange cover (rear)	1
20	AAFU06A0	Pump cover cap	1
21	AEFY91A0	Screw M5 x 10	2
22	AEPE22B0	C spacer 5 x 10mm	2
24	DEQR72A0	Hole plug (DP-562)	1
102	AXEA91A0	Hadrest cover ass'y	1

2. Q-5000 Base Section



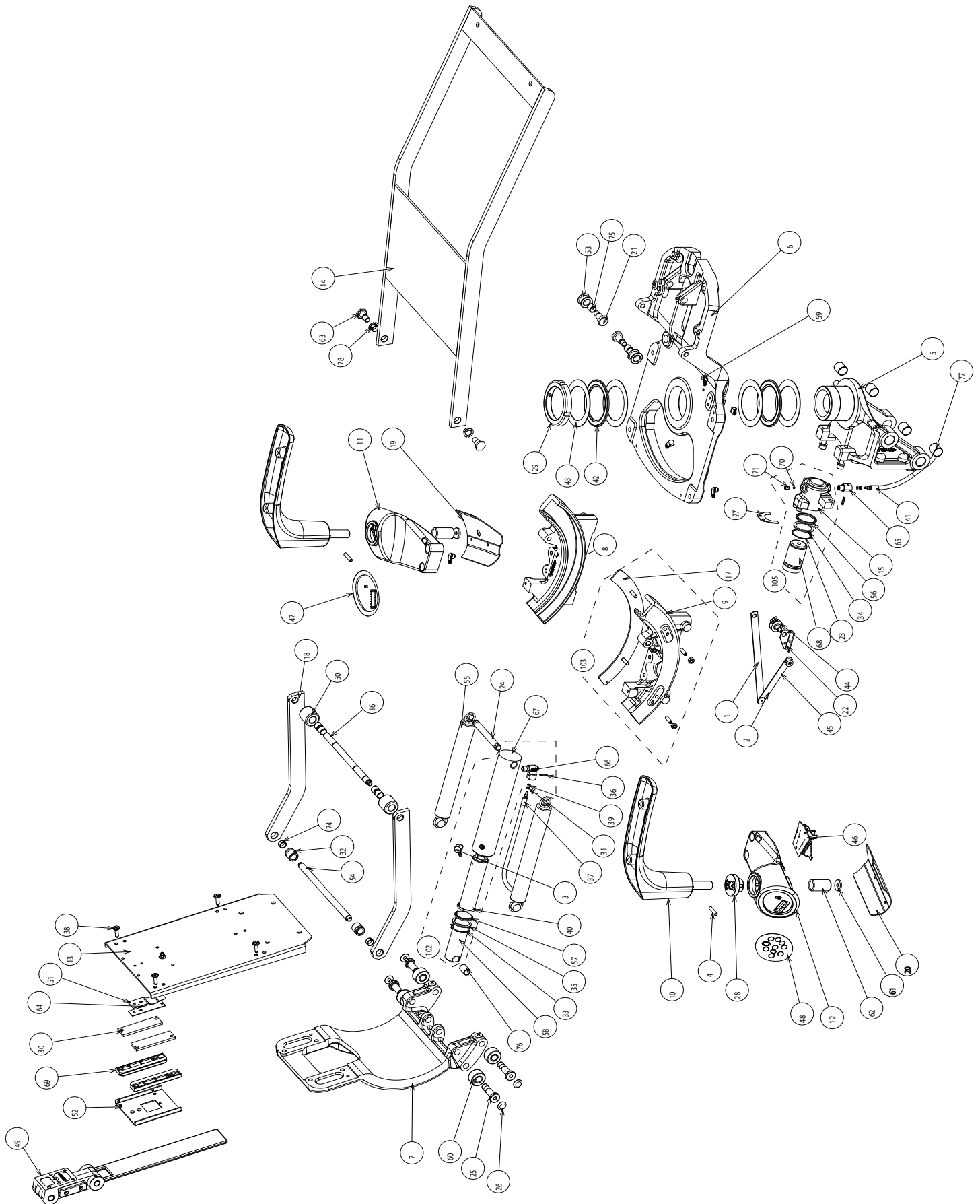
2. Q-5000 Base Section

No.	Item No.	Description	Qty.
1	AAER85A0	Oil reservoir fixing plate	1
2	AAER88A0	Pumpcover fixing plate	2
3	AAES32A0	T fitting mini	1
4	AAFA08A0	Base Plate	1
5	AAFB79A0	Main Link	1
6	AXBC55A0	Flange Ass'y	1
7	AAFE57A0	Oil reservoir	1
8	AXBC64A0	Link Bracket (L) Ass'y	1
9	AXBC63A0	Link Bracket (R) Ass'y	1
10	AAFE91A0	Base cylinder without ram and o-rings	1
11	AAFE92A0	Housing for control PCB	1
12	AXBC62A0	Sublink (L) Ass'y with bushing	1
13	AXBC61A0	Sublink (R) Ass'y with bushing	1
14	AAFK55A0	Cover for control PCB	1
15	AAFK56A0	Solenoid & Motor fixing plate	1
16	AAFT30A0	Umbilical hose bracket	1
17	AAFT31A0	Potentiometer bracket for up/down	1
18	AAFT32A0	Cylinder Felt (D45mm)	1
19	AAFT33A0	Spring for cylinder felt (D60mm)	1
20	AAFT43A0	Base cylinder lower axis	1
21	AAIB59B0	L fitting mini (1/8")	1
22	AAND52A0	Motor cushion rubber	3
23	AANF50B0	L fitting PT1/4	1
24	AANF59B0	O-ring support	1
25	AANF60B0	L fitting Motor NP PT1/4	1
26	AANF63B0	L fitting 1/8"	1
27	AANK19B0	Oil reservoir fixing nut	1
28	AANO70B0	Hose clip	2
29	AATP26A0	Capacitor 45MF 220VAC	1
---	ANFU12A0	Wire harness for capacitor	1
30	ABNH95B0	Hose band 14	1
31	ABNL93B0	U-pin	3
32	AEFR92A0	Fuse holder MF-530	2
33	AEFS09A0	C spacer 6 x 7L	1
34	AEFS10A0	Hose clip	4
35	AEFS11A0	Fuse (10A 314010MXP)	2
36	AEFX37A0	Power Cord (UL) SJT3 16AWG	1
37	AEFY72A0	Solenoid valve block (5 valves)	1
38	AEFY73A0	Nylon clamp SL-32N	1
39	AEFY74A0	High pressure hose 6x L300	1
40	AEFZ34A0	Terminal Block BTB15LC5	1

2. Q-5000 Base Section

41	AEIA06B0	Main power switch ass'y	1
42	AEND86A0	O-ring P-3	1
43	AENE06A0	P-ring P-50	1
44	AENE21A0	O-ring T-129	1
45	AENE22A0	O-ring N-14	2
46	AENL14A0	Fuel hose 5 x 9 x 1B	260 mm
47	AENL14A0	Fuel hose 5 x 9 x 1B	580 mm
48	AENL15A0	Fuel hose 7.5 x 13 x 1B	160 mm
49	AENL76B0	High pressure hose 3 x 580L	1
50	AFFU51A0	Slow slide valve (115V)	2
52	ANDR50A0	Potentiometer ass'y for up/down	1
53	AFNA70A0	Power cord bushing SR-11-2	1
54	AGDJ64B0	Linking plate set for potentiometer for back-rest	1
55	AGEJ37A0	Relay PCB (9RY) RY-2005	1
56	AGFS13C0	Chair control PCB	1
57	ANFT57A0	Transformer 120V (TK-120V-2H)	1
58	DAQJ05A0	Axis for main link cover	2
59	DAQJ07A0	Main power switch bracket RAL9003	1
60	DATS12A0	Sublink axis pin (A)	2
61	DETS17A0	Motor pump TSM-CBC-5LP-M1-E	1
62	AXCC97A0	Safety microswitch ass'y	2
63	DNOR11A0	PCB spacer RSPLS-6LU	8
64	F-61330	Strainer	1
65	J-32740	Link aaxis	2
66	SALA00C0	Straight fitting mini (1/8")	1
67	SALA05C0	L fitting mini (1/8")	1
68	TRFJ03A0	Base ram (D49.7mm x L284mm)	1
69	X-50520	Nylon clamp 3304 1/4	2
70	X-50540	Nylon clamp 3332 3/4	2
71	X-55130	Tubing 1/4 4-6	750 mm
101	ANFT70A0	Power cord (UL) ass'y	1
102	ANFT71A0	Main power switch section	1
103	AXBC56A0	Base cylinder ass'y	1
104	AXBC59A0	Solenoid valve ass'y (115V, 5 valves and slow slide valves)	1
105	AXBC60A0	Motor pump ass'y (115V)	1

3. Q-5000 Top Section



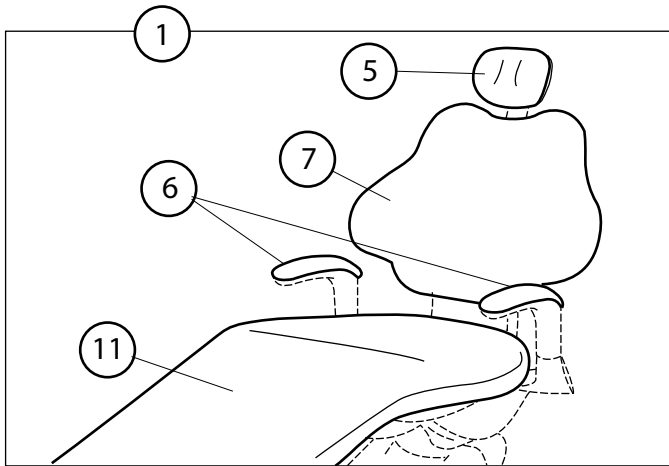
3. Q-5000 Top Section

No.	Item No.	Description	Qty.
1	AACN52C0	Not available by itself	
2	AADS25B0	Not available by itself	
3	AAES26A0	Fitting for reclining cylinder (over flow)	1
4	AAET72A0	Not available by itself	2
5	AAFB80A0	Flange	1
6	AAFB81A0	Chair top frame	1
7	AAFB82A0	Back Rest Support Assy'y	1
8	AAFB83A0	Guide rail (L)	1
9	AAFB84A0	Guide rail (R)	1
10	AXEA90A0	Arm rest with stopper pin	2
11	AAFB86A0	Armrest bracket (L)	1
12	AAFB87A0	Armrest bracket (R)	1
13	AAFE95A0	Backrest plate	1
14	AXBC67A0	Seat frame ass'y	1
15	AAFK58A0	Not available by itself	1
16	AAFK60A0	Tilting roller pin	1
17	AAFK61A0	Slide plate for guide rail (R)	1
18	AXBC66A0	Tilting bar assy	2
19	AAFK63A0	Cover for Armrest bracket (L)	1
20	AAFK64A0	Cover for Armrest bracket (R)	1
21	AAFR10A0	Screw M10 x 35 for link (C)	2
22	AAFR20A0	Bracket of potentiometer for backrest	1
23	AAFR22A0	Not available by itself	1
24	AAFT36A0	Reclining cylinder pin	1
25	AAFT37A0	Shaft for bearing	4
26	AAFT38A0	Slider	4
27	AAFT39A0	Unlocking spring	1
27	N/A	(Included in AAFB86A0 and AAFB87A0)	2
29	AAFT41A0	Bearing nut M70 (with set screw)	1
30	AAFT42A0	Headrest spacer	2
31	AANF59B0	O-ring holder	1
32	AASB92A0	Spring collar A	2
33	ABNC86B0	Not available by itself	1
34	ABNJ86A0	Not available by itself	1
35	ABNK02A0	Not available by itself	1
36	ABNL93B0	U pin	1
37	AEFS03A0	High pressure hose 3 x 1400L (reclining cylinder)	1
38	AEFS84A0	Set cap screws M6 x 20	4
39	AEND86A0	O-ring P-3	3
40	AEND98A0	O-ring P-30	1

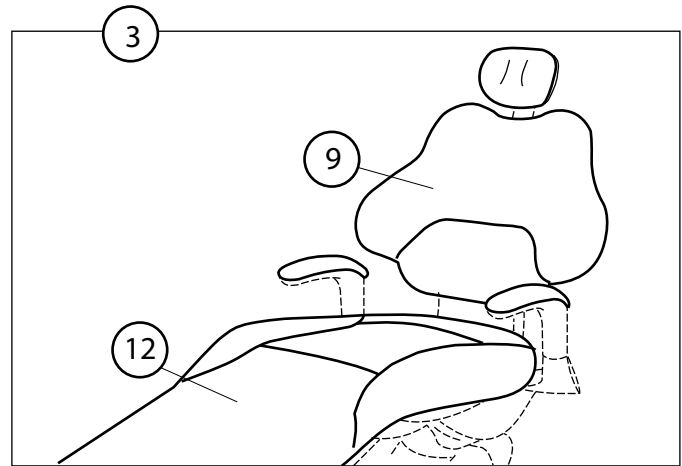
3. Q-5000 Top Section

41	AENL81B0	High pressure hose 3 x 1200L (Rotation lock cylinder)	1
42	AFFR43A0	Thrust bearing AXK1114	2
43	AFFR44A0	Thrust washer AS1114	4
44	ANDR36A0	Potentiometer for backrest	1
45	AGFL16A0	Linking plate ass'y for potentiometer for backrest	1
46	AGFS12A0	Distribution PCB for Armrest membrane switch	1
47	AGFS14A0	Armrest membrane switch (L)	1
48	AGFS15A0	Armrest membrane switch (R)	1
49	AXEA01A0	Double axis articulating headrest ass'y	1
50	AXBA24A0	Roller tilt with bushing	2
51	DACR17A0	Bar guide supporting spring (T=0.5)	1
52	DAQJ66A0	Bar guide supporting plate	1
53	AXBA23A0	Roller Ass'y	2
54	DATS28A0	Reclining shaft	1
55	DATS30A0	Reclining spring	2
56	DEAS42A0	Hex ring 41.4 x 34.6 x 3.5	1
57	DEAS43A0	Hex ring 36.5 x 29.5 x 3.5	1
58	ERNJ15A0	Not available by itself	1
59	F-33340	Nylon clamp 3305 5/16	1
60	Q-31240	Needle Bearing	4
61	Q-35030	Flat washer (22 x 6 x 3)	2
62	Q-35050	Spring for armrest	2
63	S-35100	Stepped bolt for tilting	2
64	S-37400	Bar supporting plate (A)	
65	SALA00C0	Fitting for rotation locking cylinder	1
66	SALA05C0	Fitting (L) for reclining cylinder	2
67	TADJ01A0	Not available by itself	1
68	TRFJ04A0	Not available by itself	1
69	U-35340	Bar guide supporting plate	2
70	X-55220	Not available by itself	1
71	N/A		
72	N/A		
73	N/A		
74	N/A		
75	N/A		
102	AXBC57A0	Reclining Cylinder Assy	1
103	AXCC98A0	Guide rail (R) ass'y	1
105	AZFJ04A0	Rotation lock cylinder ass'y	1

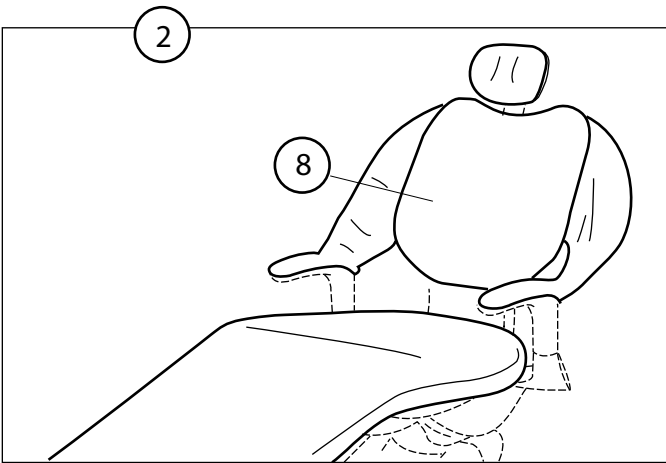
4. Upholsteries



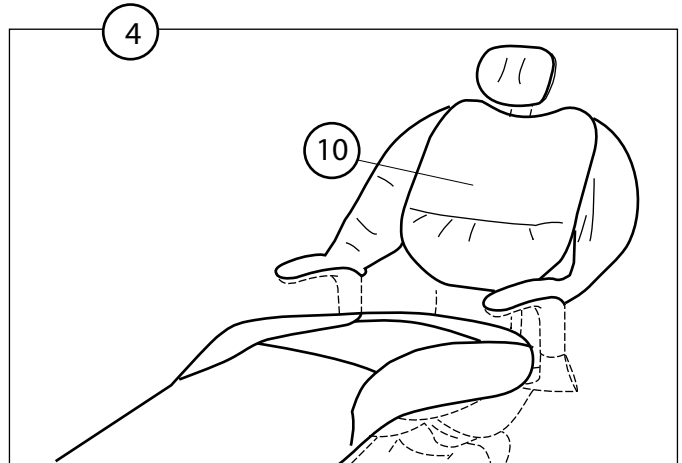
Seamless with wide backrest



Plush with wide backrest



Seamless with slings



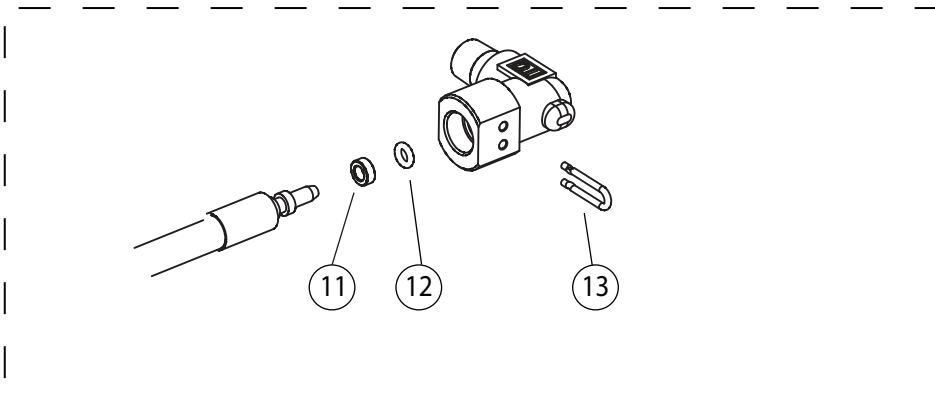
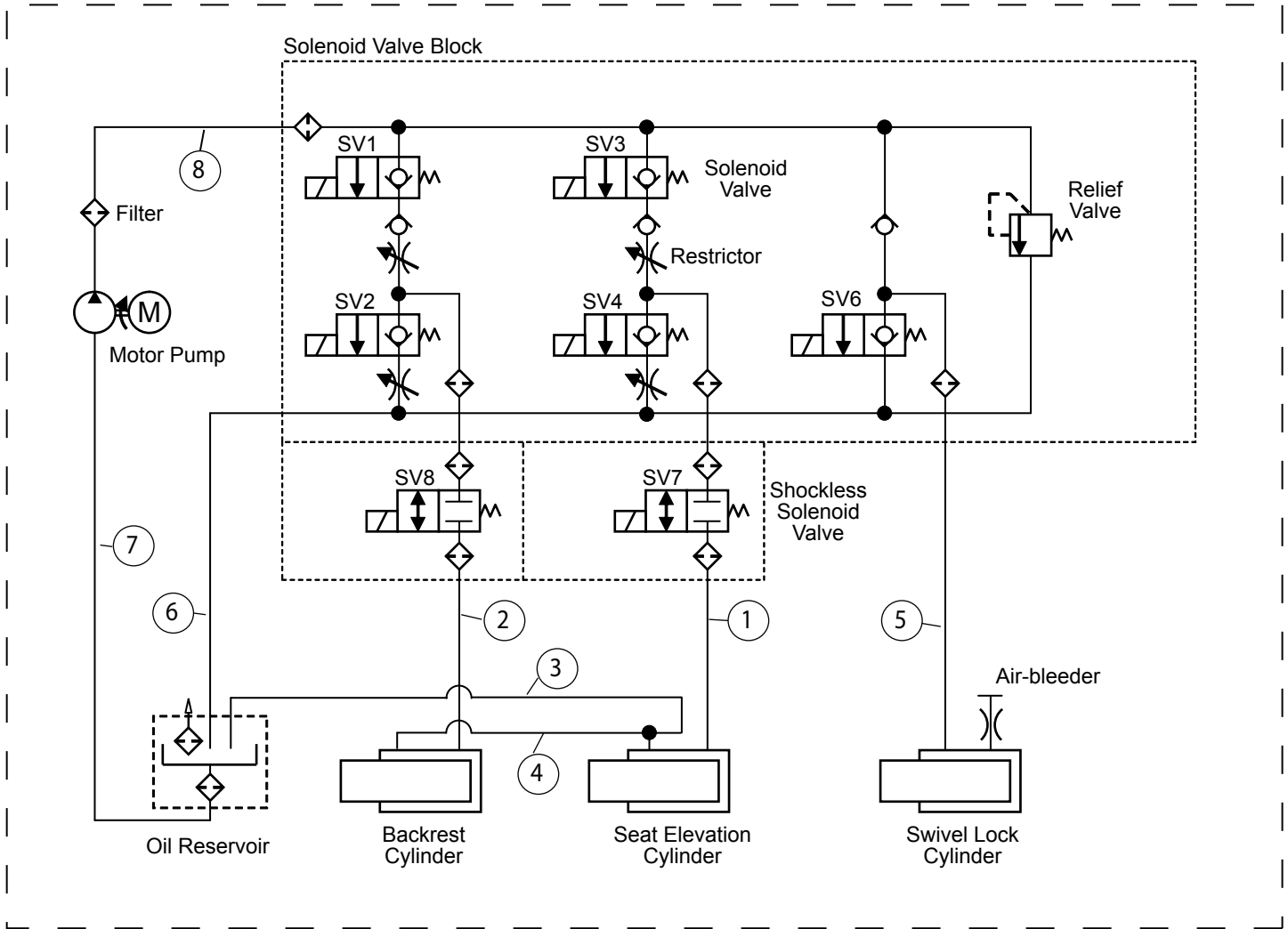
Plush with slings

No.	Item No.	Description	Qty.
1	QSW+Color	Complete upholstery set, Seamless , Wide Back	1
2	QSS+Color	Complete upholstery set, Seamless , with Slings	1
3	QPW+Color	Complete upholstery set, Plush, Wide Back	1
4	QPS+Color	Complete upholstery set, Plush, with Slings	1
5	Q50HR+color	Headrest cushion only	1
6	Q50ARM+color	Armrest cushions (each) only	1
7	QSWBK+color	Backrest cushion only, Seamless , Wide Back	1
8	QSSBK+color	Backrest cushion only, Seamless , with Slings	1
9	QPWBK+color	Backrest cushion only, Plush, Wide Back	1
10	QPSBK+color	Backrest cushion only, Plush, with Slings	1
11	QSSST+color	Seat cushion only, Seamless	1
12	QPSST+color	Seat cushion only, Plush	1

5. Wire harness section

No.	Item No.	Description	Qty.
1	ANFT55B0	Wire harness for Relay PCB	1
2	ANFT56A0	Wire harness (A) for Solenoid valve	1
3	ANFT59B0	Wire harness (B) for Solenoid valve	1
4	ANFT58A0	Wire harness for capacitor and motor pump	1
5	ANFT66A0	Wire harness for main control PCB power supply (9V)	1
6	ANFT64A0	Wire harness for dental light power supply	1
7	ANFT65A0	Wire harness for dental chair main power	1
8	ANFT63A0	Ground wire	1
9	ANFT67A0	Wire harness for serial transmission, dental unit	1
10	ANFT68A0	Wire harness for serial transmission, dental light	1
11	ANFT69A0	Wire harness (A) for touchpad	1
12	ANFT61A0	Wire harness (B) for armrest membrane switch (L)	1
13	ANFT62A0	Wire harness (C) for armrest membrane switch (R)	1
14	ANFU56A0	Wire harness for thermistor	1
15	ANFT60A0	Wire harness (B) for armrest membrane switch	1
16	ANDR36A0	Potentiometer with wire harness for backrest	1
17	AMDR50A0	Potentiometer with wire harness for seat	1
18	DNCS42A0	Safety switch with wire harness under chair	2

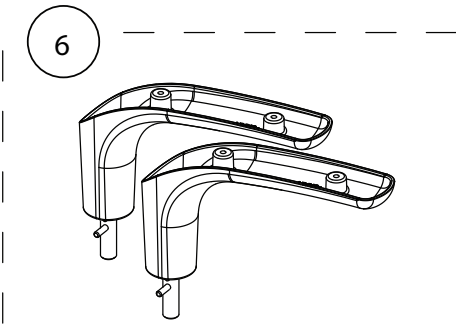
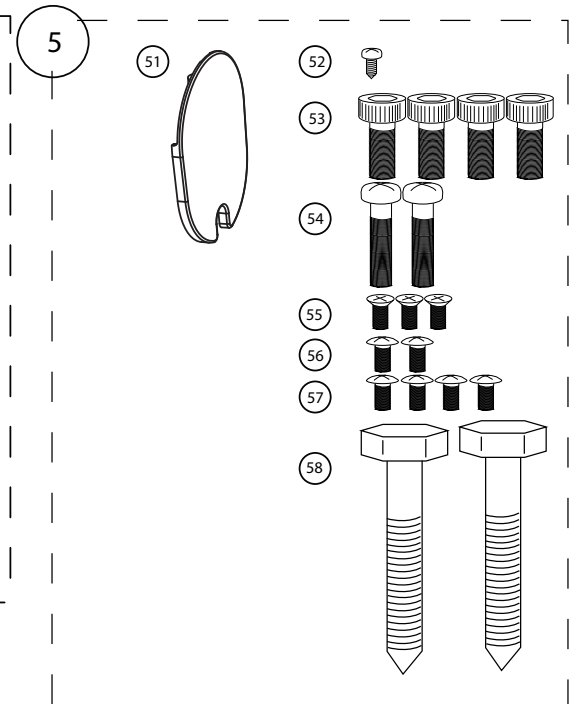
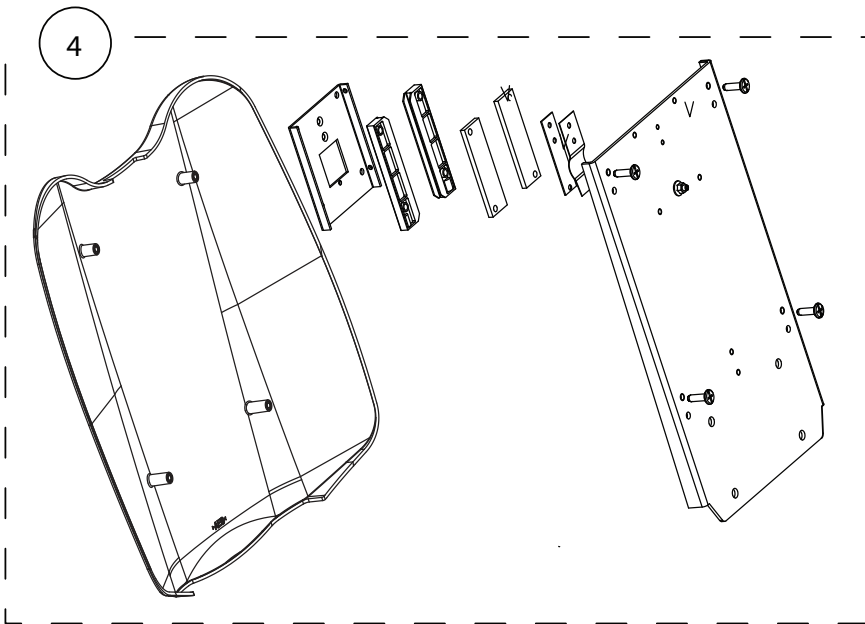
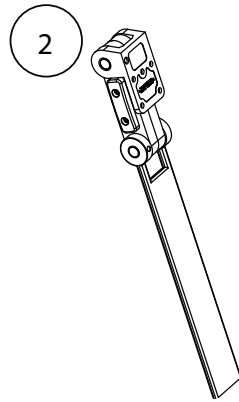
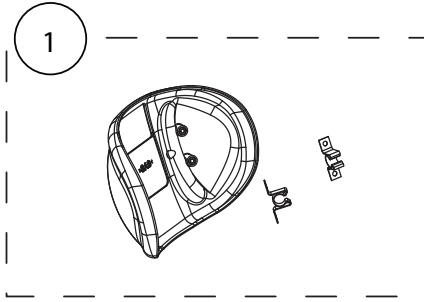
6. Hydraulic hoses and hardware



6. Hydraulic hoses and hardware

No.	Item No.	Description	Qty.
1	AENL76B0	High pressure hose 3 x 580L for seat	1
2	AEFS03A0	High pressure hose 3 x 1400L for backrest cylinder	1
3	AENL14A0	Fuel hose 5 x 9 x 1B	580 mm
4	X-55130	Hilon hose UN-1/4 4-6	780 mm
5	AENL81B0	High pressure hose 3 x 1200L for rotation lock cylinder	1
6	AENL14A0	Fuel hose 5 x 9 x 1B	260 mm
7	AENL15A0	Fuel hose 7.5 x 13 x 1B	160 mm
8	AEFY74A0	High pressure hose 6x 300L	1
11	AANF59B0	O-ring holder	--
12	AEND86A0	O-ring P-3	--
13	ABNL93B0	U pin	--

7. Screws and parts for installation



7. Screws and parts for installation

No.	Item No.	Description	Qty.
1	AXEA91A0	Hadrest cover ass'y	1
2	AXEA01A0	Double axis articulating headrest ass'y	1
3	AAFU06A0	Pump cover cap	1
4	AXEA92A0	Backrest ass'y	1
5	AXEA89A0	Set of bolts and screws for Q-5000 installation	1
6	AXEA90A0	Armrest ass'y	1
51	DEQR72A0	Hole plug (DP-562)	1
52	AFFX58A0	Pan head screws M4 x 10 for pump cover cap	1
53	ZA761PWG	Cap head screws M8 x 20 for backrest	4
54	ZA887OYY	Pan head screws M6 x 25 for armrest	2
55	ZA112NRY	Flat head screws M5 x 10 for headrest upholstery	3
56	ZA114NRY	Round head screws M5 x 10 for seat and arm upholsteries	2
57	ZA114NRY	Round head screws M5 x 10 for seat and arm upholsteries	4
58	AECO17A0	hex head bolt M9 x 65 for floor mount	2

NOTE

Empty rounded rectangular box for notes.

BELMONT EQUIPMENT, Division of Takara Belmont USA, Inc.
101 Belmont Drive Somerset, New Jersey 08873 U.S.A. TEL.:(732) 469-5000 / (800) 223-1192 Fax.:(732)526-6322 / (800) 280-7504

TAKARA CO, CANADA LTD.
2076 S. Sheridan Way, Mississauga, Ont., L5J2M4, Can. TEL.:(905) 822-2755 Fax.:(905)822-6203

