



Quolis[®]
Q5000 Dental Chair

■ Quolis[®] Q5000

Dental Chair

Incorporate ergonomics and comfort in your work environment.

Chair Ergonomics

With a thin and narrow backrest, operators gain superb access to each patient, resulting in a better working posture and a more comfortable working experience. With its contoured shape, the dual axis headrest cradles the occipital bone and permits operators to tilt the patient's head forward and back, for greater access to the upper and lower arches.

Shockless Movement

The shock-less hydraulic system gently maneuvers seated patients, for smoother transitions between treatment positions.



Smooth Performance

Patient comfort is enhanced by the synchronous backrest recline mechanism, which simulates natural body movement and seamlessly supports the patient while the backrest is in motion.

Patient Access

Integrated armrest touchpads enable easy access to patient seat positioning adjustments from doctors and assistants side of the chair. In addition, armrest swing outward 130° to create a wider entry and exit area for patient convenience.

■ Style Options



Available in four different styles in the choice of Belmont standard Ultraleather® colors:

- **QSS** - Seamless Upholstery with Slings (QSS)
- **QPS** - Plush Upholstery with Slings
- **QSW*** - Seamless Upholstery with Wide Backrest
- **QPW** - Plush Upholstery with Wide Backrest

*Style can also be ordered with standard Belmont vinyl colors.



■ Quolis® J-Box

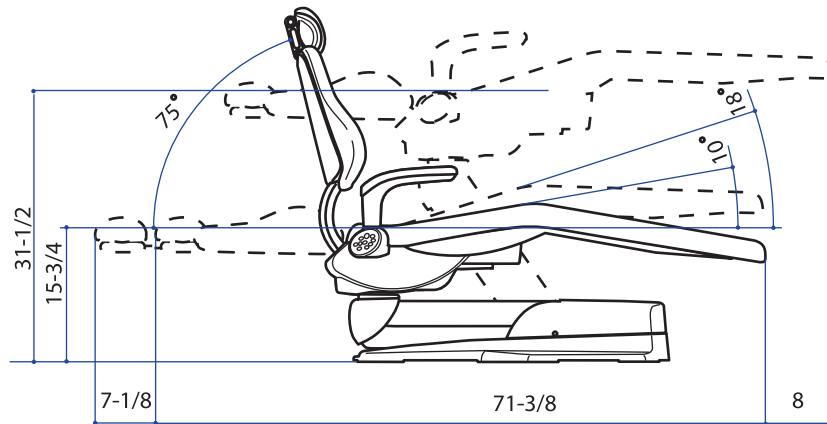
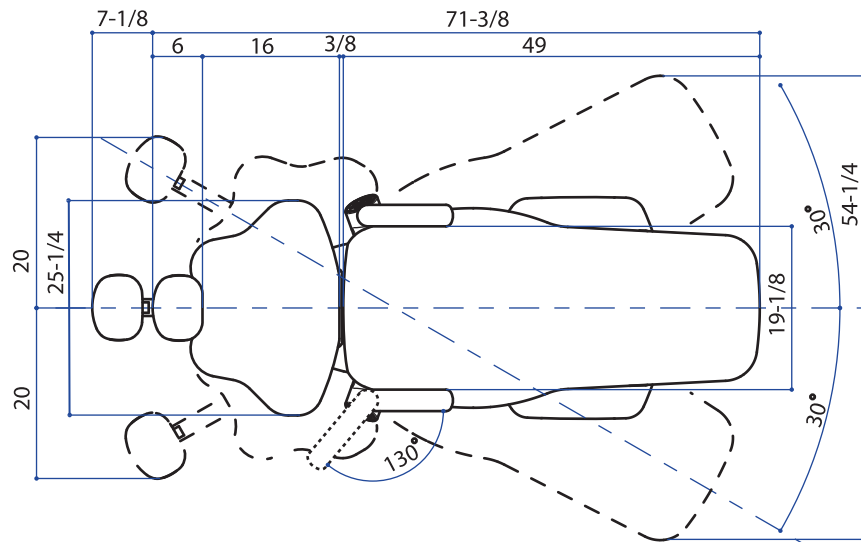
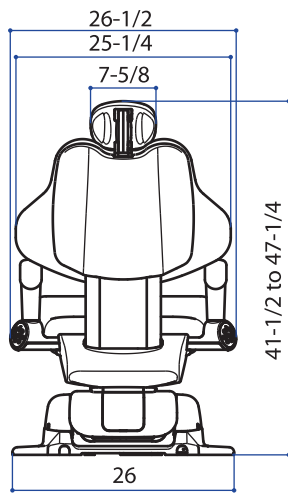
Contoured J-box comes standard, providing a streamlined appearance and clutter-free option of connecting delivery systems to Q5000 chairs.

■ Versatility

Chair easily integrates with all Belmont delivery systems, granting access to furnishing the operator with the ideal tools needed to inspire efficiency and productivity.

Q5000 chair delivers comfort to patients from the moment they are seated. The chair utilizes a mechanism that provides synchronization of the backrest and seat motion. Patients will not need to reposition, as they are supported comfortably during movement into the reclined position.





SPECIFICATIONS

Lifting / Lowering Mechanism:	Electro-hydraulic operation
Minimum Height:	15-3/4" (Floor to Headrest Top Reclined)
Maximum Height:	31-1/2" (Floor to Headrest Top Reclined)
Backrest Reclining Angle:	75° (Upright to Horizontal Recline)
Seat Rotation:	30° right and left of center
Armrest Rotation:	130° Outward
Seat Position:	Built-in armrest touchpads on doctor's and assistant's side of the chair with manual seat adjustment switches, three programmable positions and auto return.
Headrest:	Double Articulating Headrest
Mode of Control:	Foot and Dual Armrest Controls
Rated Voltage:	AC 120V / 60Hz
Weight:	330 lbs.

Belmont Equipment
 101 Belmont Drive
 Somerset, NJ 08873
 (800) 223-1192
www.belmontequip.com

Takara Company Canada Ltd.
 2076 South Sheridan Way
 Mississauga, ON
 L5J 2M4, Canada
 (800) 268-5351
dental.takarabelmont.ca

Belmont
 Delivering Value in Quality

@BelmontEquipUS

