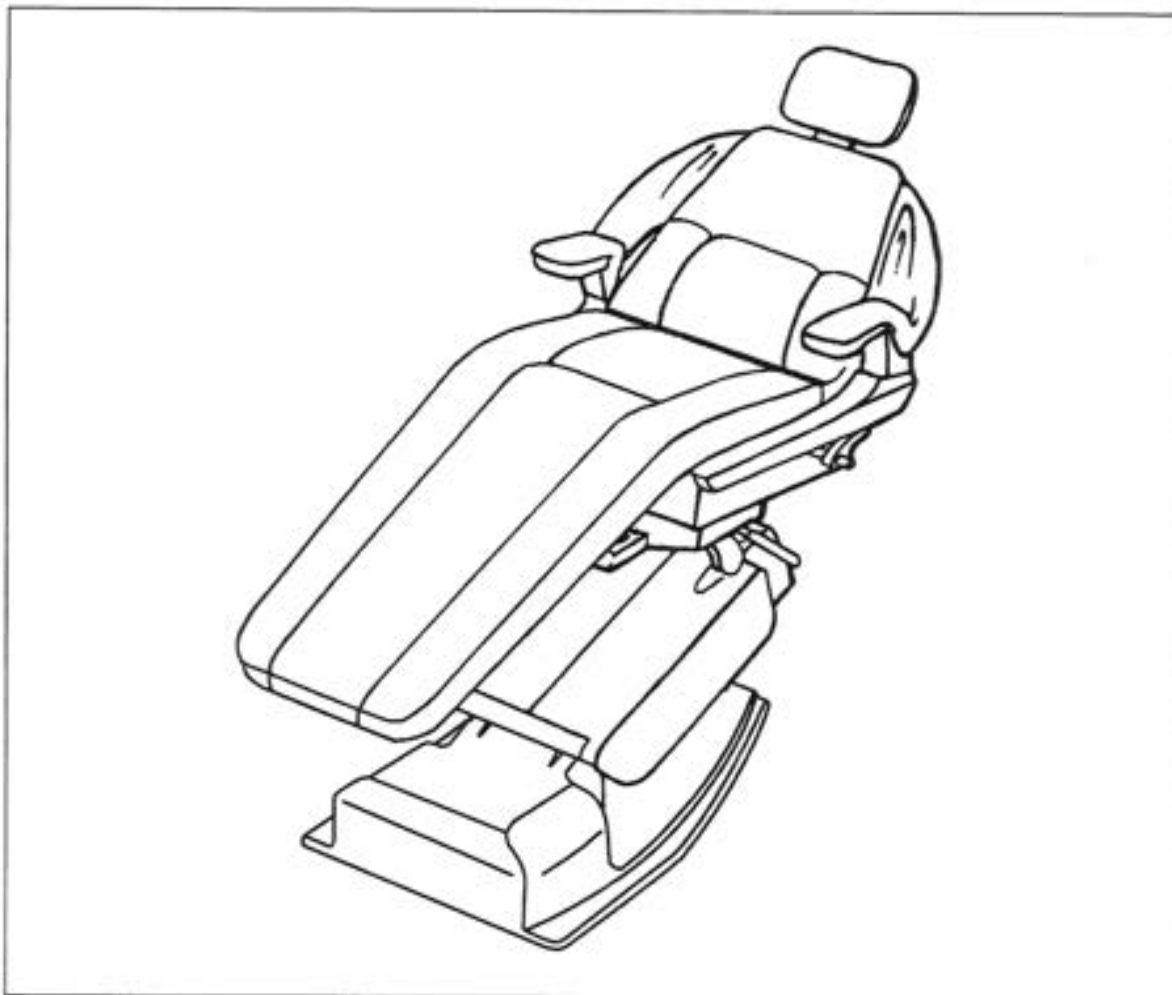


X-CALIBUR

BEL-10
(Bel-20)

DENTAL CHAIR



INSTALLATION
INSTRUCTIONS
(REV. 02)

 **Belmont**

7) Attach armrest to side frame as shown in Figure 4 (it may be necessary to lightly lubricate shaft).

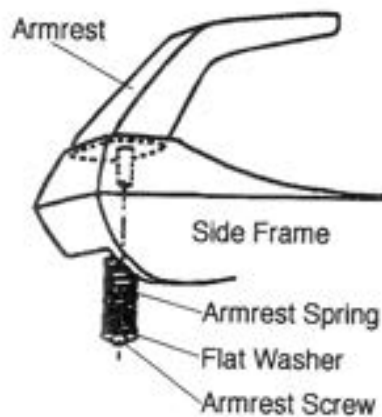


Figure 4

8) Remove 4 phillips head screws securing backrest cover to backrest frame. Attach backrest frame using 4 large socket head cap screws. (See Figure 5.)

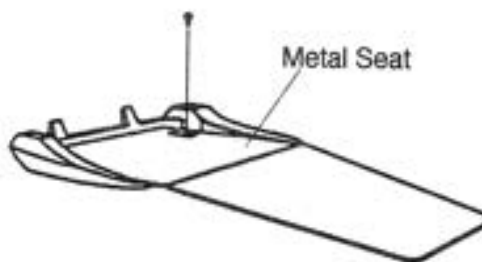


Figure 5

9) Connect backrest quick connect plug to chair (tie up any excess wire).

10) Attach metal seat to base plate, Using 4 phillips head screws. (See Figure 5.)

11) Snap on backrest & seat cushion with snaps provided. Velcro is also used to keep upholstery secure to chair. Reattach backrest cover to backrest frame using 6 screws. (See Figure 6.)

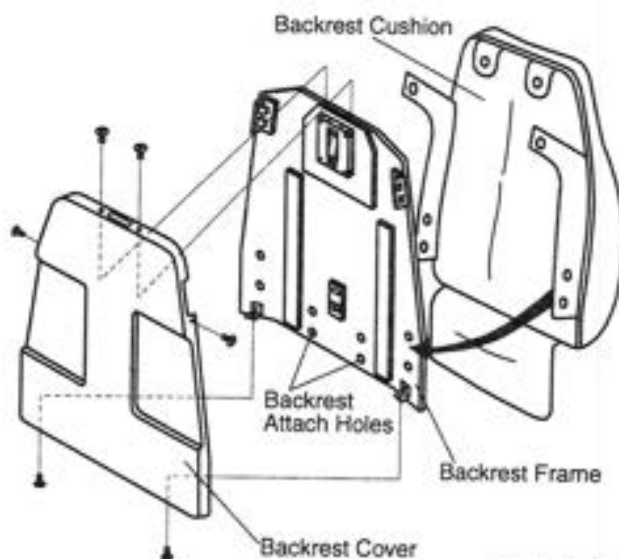


Figure 6

11A) Or place purity uph. on back, fasten with screws and attach backrest cover. (See Figure 6A.)

12) Attach headrest cushion to headrest mechanism and slide headrest bar into opening in top of backrest.

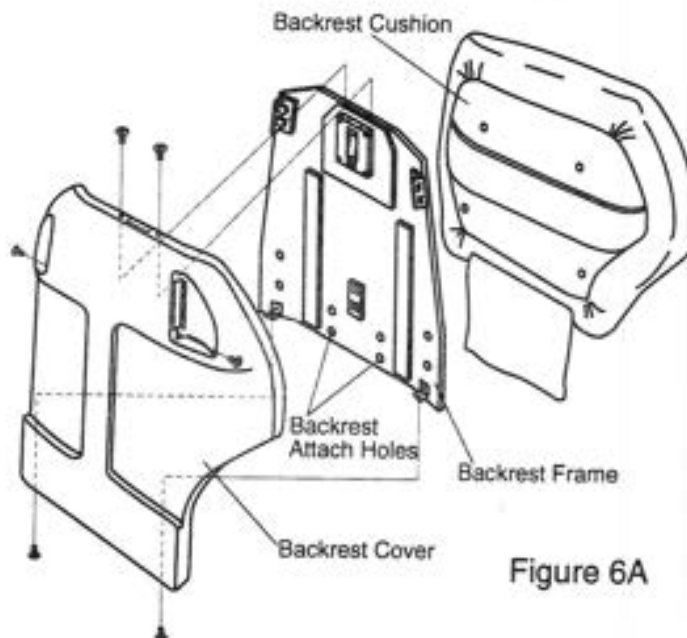


Figure 6A

13) Locate the red warning tag which is attached by a string to the rubber air vent plug. Normally a brisk tug on this tag will release the plug without the need to open the pump covers.

BEL-20 Chair Installation Procedures

- 1) Place chair carton to planned chair location.

Remove all the staples fixing the carton to pallet, or cut the carton just above the stapled line, and remove the carton. (See Figure 1.)

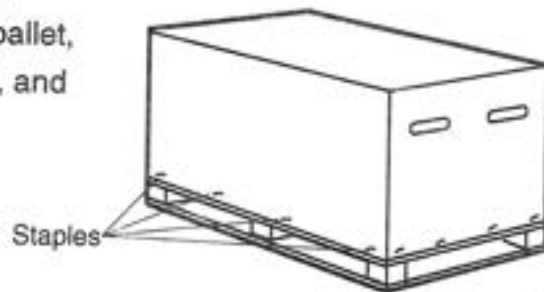


Figure 1

- 2) Loosen and remove two packing screws(6x40) holding the chair base into pallet. (See Figure 2.)

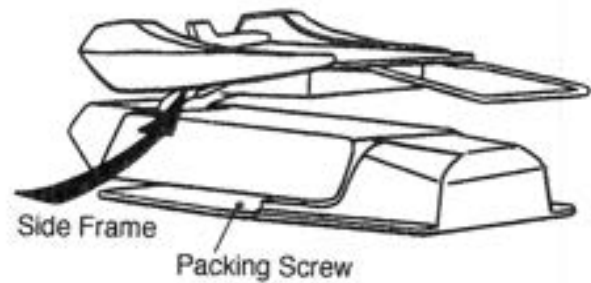


Figure 2

- 3) Lift chair base from pallet into the correct location. Be sure to lift chair under the side frame as shown in Figure 2.

- 4) REMOVE RED SHIPPING BOLT from seat structure before plugging in chair to power source. (See Figure 3.)
Close the link covers and attach with screws provided.

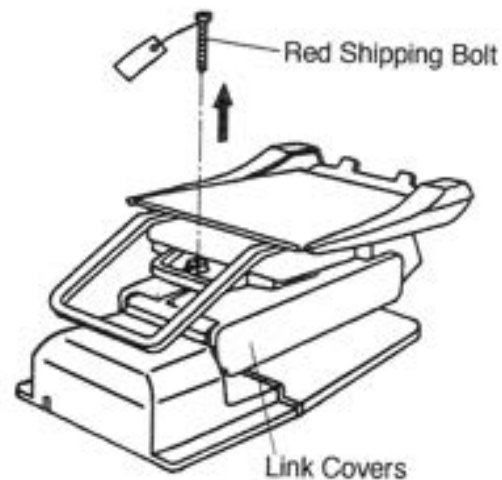


Figure 3

- 5) Remove the following items from chair packaging:

- Backrest Frame Assembly
- Metal Seat
- Plastic Base Cover
- Small Carton Box containing Armrests, Headrest Mechanism and Bag of Hardware.

- 6) Plug in chair to proper electrical power source. Raise the seat section up by foot switch.

