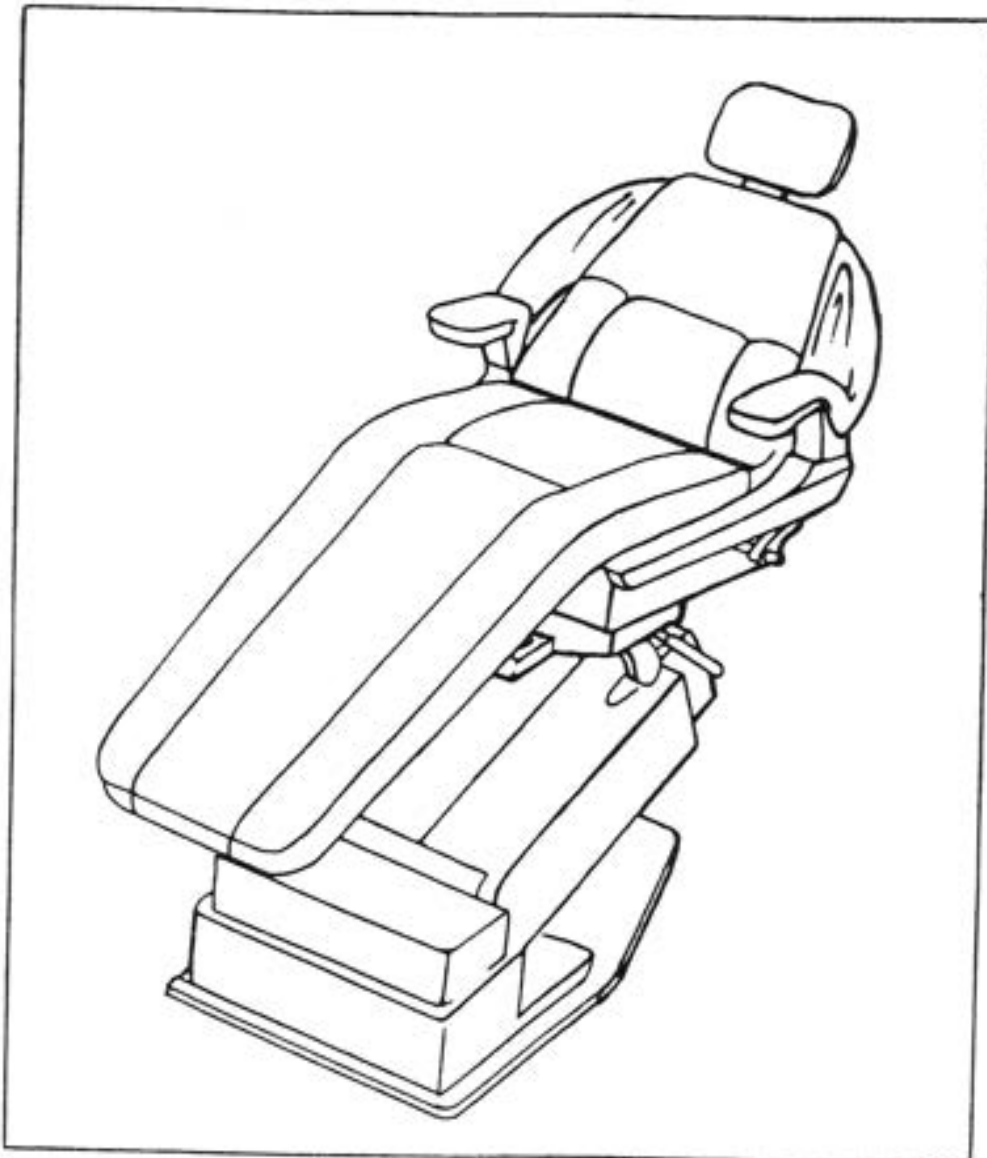


 **Belmont**[®]

X-CALIBUR DENTAL CHAIR



BEL-10
(Bel-20)
PARTS

 **Belmont**

BELMONT EQUIPMENT CORPORATION

101 Belmont Drive, Somerset, NJ 08873

(732) 469-5000 Fax (800) 280-7504

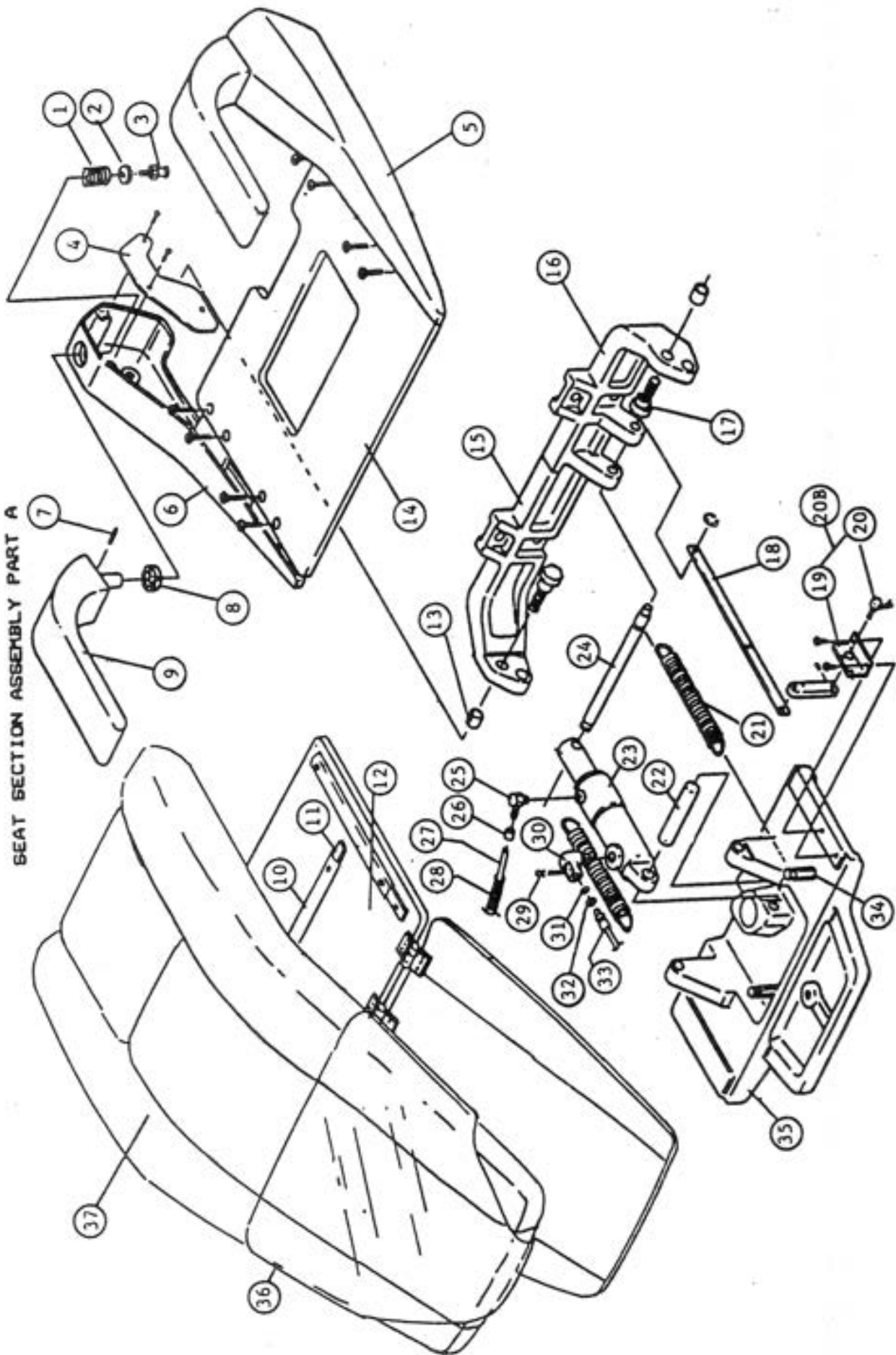
Toll Free (800) 223-1192

MODELS, PRICES, AND SPECIFICATONS ARE SUBJECT TO CHANGE WITHOUT NOTICE

SEAT SECTION ASSEMBLY PART A

INDEX NO.	PART NO.	DESCRIPTION
1-3	B10-Q3506	ARMREST SPRING, WASHER, SCREW
1	B10-Q3505	ARMREST SPRING
2	B10-Q3503	ARMREST WASHER
3	B10-U3919	MISC. SCREW (ARMREST)
4	B10-J3684	RUBBER SIDE COVER
5	B10-L3608	SIDE FRAME LEFT
6	B10-L3607	SIDE FRAME RIGHT
7	B10-Q3586	ARMREST PIN
8	B10-G0048	ARMREST CAM (180 DEGREES)
9	B10-M3532B	ARMREST ASS"Y W/PIN (BLACK)
	B10-M3532G	ARMREST ASS"Y W/PIN (GREY)
10	B10-X6795	VELCRO STRIP
11	B10-J3685	VELCRO PLATE (LONG)
12	B10-503907B	SEAT PLATE ASSEMBLY (BLACK)
	B10-503907W	SEAT PLATE ASSEMBLY (WHITE)
13	B10-X2707	BUSHING
14	B10-H3824	SEAT PLATE
15	B10-K3873	BACK SUPPORT (RIGHT)
16	B10-K3874	BACK SUPPORT (LEFT)
17	B10-U3533	TAPERED BOLT
18	B10-503906	RECLINE LINK COMPLETE
19	B10-J3682	POTENTIOMETER BRACKET
20	B10-503730	POTENTIOMETER
20B	B10-503904	RECLINE POTENTIOMETER ASSEMBLY
21	B10-T3692	SPRING
22	B10-U3526	CYLINDER PIN (FRONT)
23	B10-503721	RECLINE CYLINDER COMPLETE
	B10-599000	O-RING KIT FOR RECLINE CYLINDER
24	B10-T3965	CYLINDER PIN (REAR)
25	B10-Q3300	ELBOW
26	B10-X5514	CLAMPING SLEEVE
27	B10-X5513	RETURN HOSE
28	B10-Q9917	PROTECTIVE SPRING
29	B10-Q6237	U-CLIP
30	B10-T1027	ELBOW
31	B10-F3470	O-RING
32	B10-Q6241	BRASS RING
33	B10-U5035	HIGH PRESSURE HOSE (1400 mm)
34	B10-U3524	SPRING STUD
35	B10-H3728	ROTATION FLANGE
36	SEE PG. 13	LEGREST PROTECTOR FOR BEL-10
37	SEE PG. 13	SEAT CUHSION FOR BEL-10

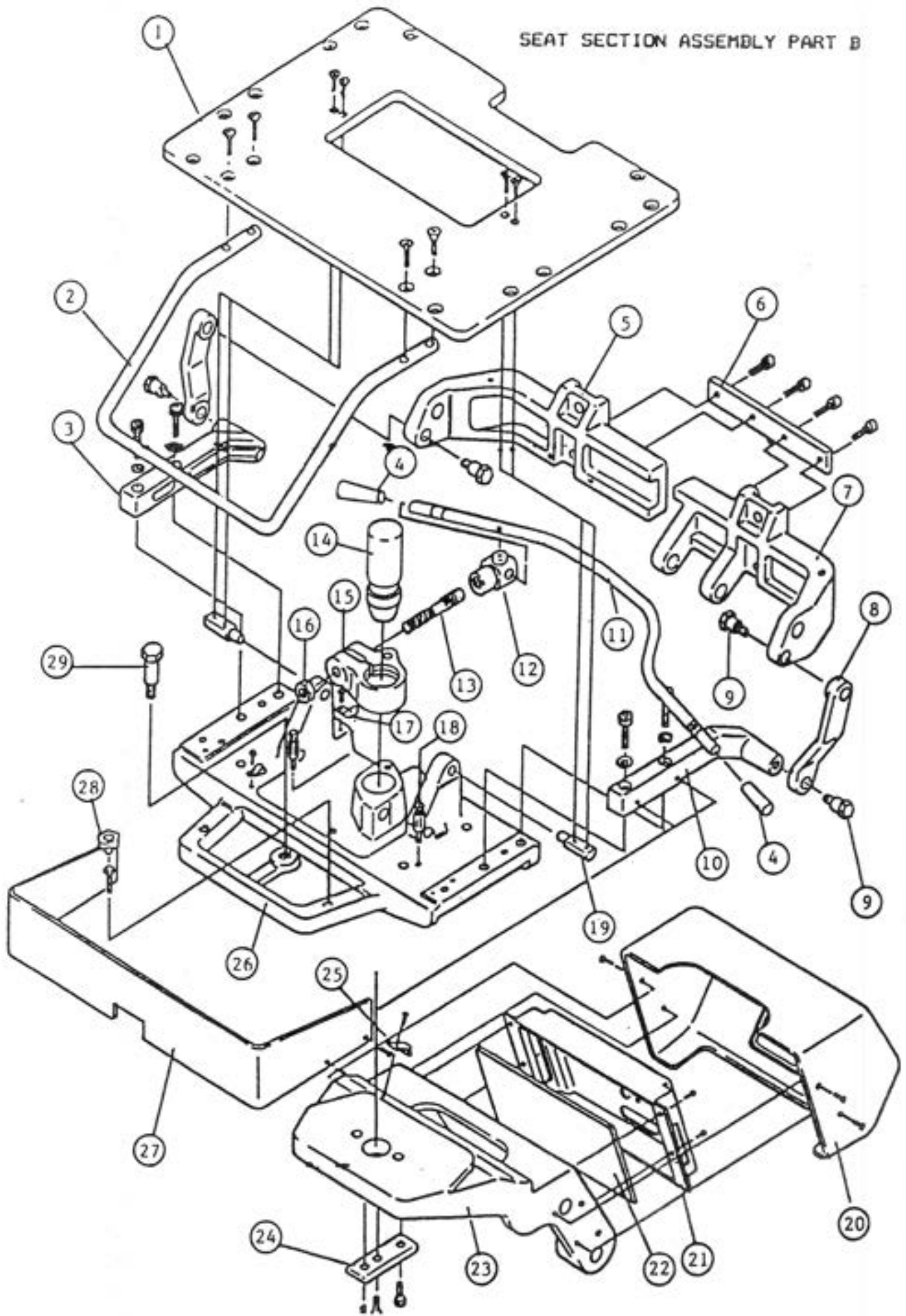
SEAT SECTION ASSEMBLY PART A



SEAT SECTION ASSEMBLY PART B

INDEX NO.	PART NO.	DESCRIPTION
1	B10-H3824	SEAT PLATE
2	B10-M3581	FOOTREST SUPPORT BAR
3	B10-J3680	LINK ANCHOR (RIGHT)
4	B10-G0050	GRIP
5	B10-K3873	BACKREST SUPPORT (RIGHT)
6	B10-T3976	ATTACHMENT PLATE
7	B10-K3874	BACKREST SUPPORT (LEFT)
8	B10-T3964	RECLINE LINK
9	B10-R1186	LINK PIN
10	B10-J3681	LINK ANCHOR (LEFT)
11	B10-K3496	ROTATION LEVER
12	B10-U3539	NUT
13	B10-F6104	LOCK SHAFT
14	B10-U3521	ROTATION SHAFT
15	B10-E6017	CLAMPING BODY (LOCK)
16	B10-U2102	LEFT HAND NUT
17	B10-Q3113	WIRE CLIP
18	B10-U3524	SPRING STUD
19	B10-U3525	TILT PIN
20	B10-L3606	FLANGE COVER (WHITE)
21	B10-M3961	CIRCUIT BOARD COVER (WHITE)
22	B10-X6519	LOGIC P.C. BOARD
23	B10-B3846	FLANGE
24	B10-U3522	SHAFT FIXING PLATE
25	B10-U3809	CLIP
26	B10-H3728	DOME CASTING
27	B10-M3962	SIDE COVER (WHITE)
28	B10-X5779	LOCK KNOB
29	B10-U3531	UNIT SWIVEL PIN (OPTIONAL)

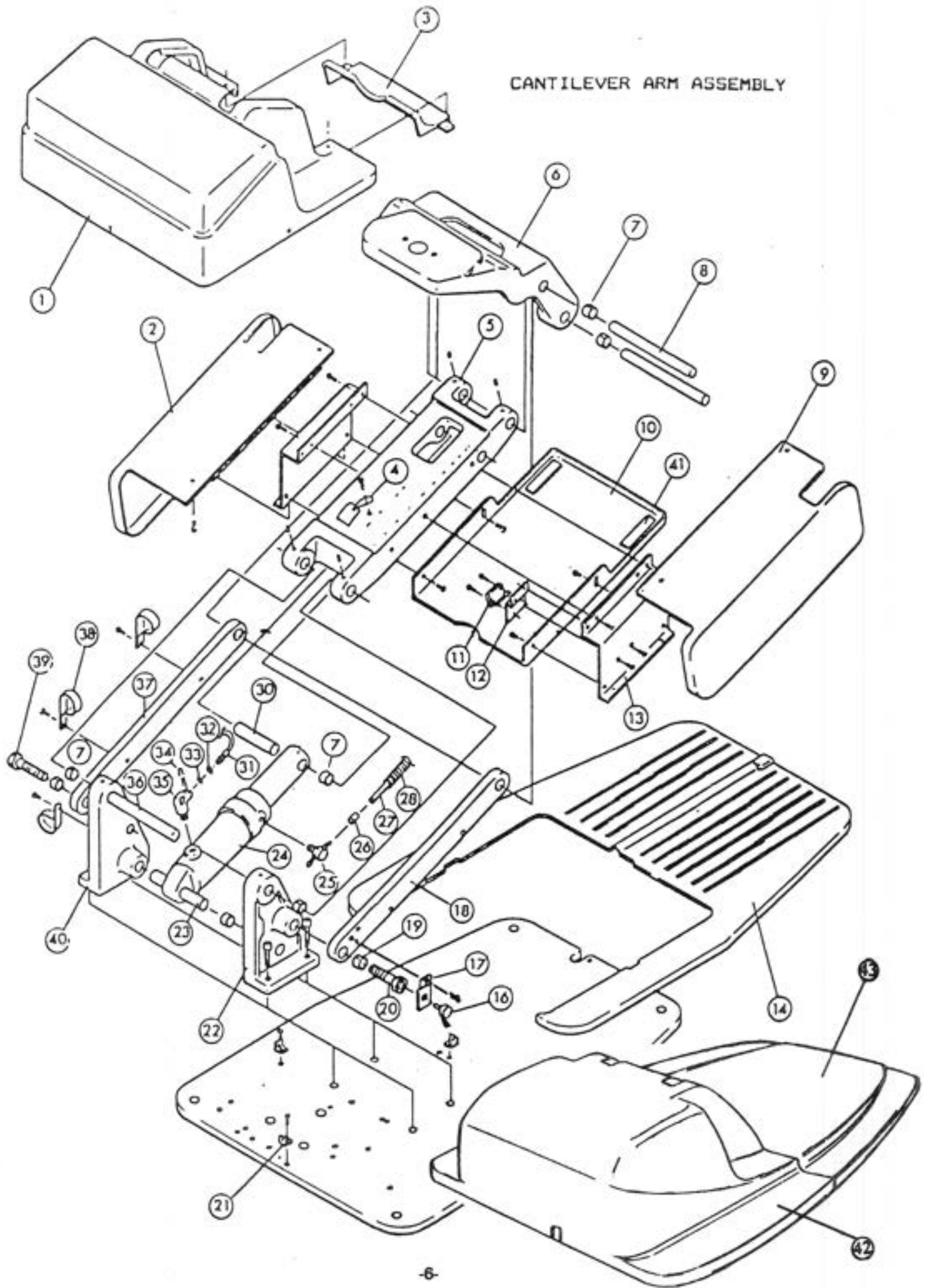
SEAT SECTION ASSEMBLY PART B



CANTILEVER ARM ASSEMBLY

INDEX NO.	PART NO.	DESCRIPTION
1	B10-H3076	PUMP COVER (WHITE)
2	B10-H3077	LINK COVER RIGHT (WHITE)
3	B10-K3495	PUMP COVER REAR (WHITE)
4	B10-X0285	SHIPPING BOLT
5	B10-B3452	MAIN LINK
6	B10-B3846	FLANGE
7	B10-X6340	BUSHING
8	B10-P3441	LINK PIN (UPPER)
9	B10-H3078	LINK COVER LEFT (WHITE)
10	B10-503908B	SAFETY PLATE W/BUMPER (BLACK)
	B10-503908W	SAFETY PLATE W/O BUMPER (WHITE)
11	B10-X6313	SWITCH
12	B10-T3427	SWITCH BRACKET
13	B10-T3426	SAFETY PLATE SUPPORT FRAME
14	B10-A3099B	BASE MAT (RUBBER) BLACK
	B10-A3099G	BASE MAT (RUBBER) GREY
15	B10-A3098	BASE PLATE
16	B10-503905	POTENTIOMETER W/WIRE & BRACKET F/BASE
17	B10-U3330	POTENTIOMETER BRACKET
18	B10-T3429	SUB LINK (LEFT)
19	B10-X4321	BUSHING
20	B10-U3331	SUB LINK SHAFT (LEFT)
21	B10-R3461	PUMP COVER BRACKET
22	B10-K3182	BASE LINK (LEFT)
23	B10-P3439	CYLINDER PIN (LOWER)
24	B10-503720	BASE CYLINDER COMPLETE
	B10-599000	O-RING KIT FOR CYLINDER
25	B10-Q3585	TEE
26	B10-X5514	CLAMPING SLEEVE
27	B10-X5513	OVERFLOW HOSE (1280 mm)
28	B10-Q9917	PROTECTIVE SPRING
30	B10-R3195	CYLINDER PIN (UPPER)
31	B10-D3176	HIGH PRESSURE HOSE (520 mm)
32	B10-Q6241	BRASS RING
33	B10-F3470	O-RING
34	B10-Q6237	U-CLIP
35	B10-T1027	ELBOW
36	B10-P3440	LINK PIN (LOWER)
37	B10-P3443	SUBLINK (RIGHT)
38	B10-X5043	NYLON CLAMP
39	B10-R3196	SUBLINK SHAFT (RIGHT)
40	B10-K3181	LINK BRACKET (RIGHT)
41	B10-U3332	SAFETY PLATE BUMPER (SEPARATE)
42	B10-HAPE05A0	NEW PUMP COVER (WHITE)
43	B10-HAPE08A0	NEW PLASTIC BASE COVER (WHITE)
	B10-503909	BASE & LINK COVER SET (WHITE)
	B10-503910	BASE & LINK COVER SET (BLACK)

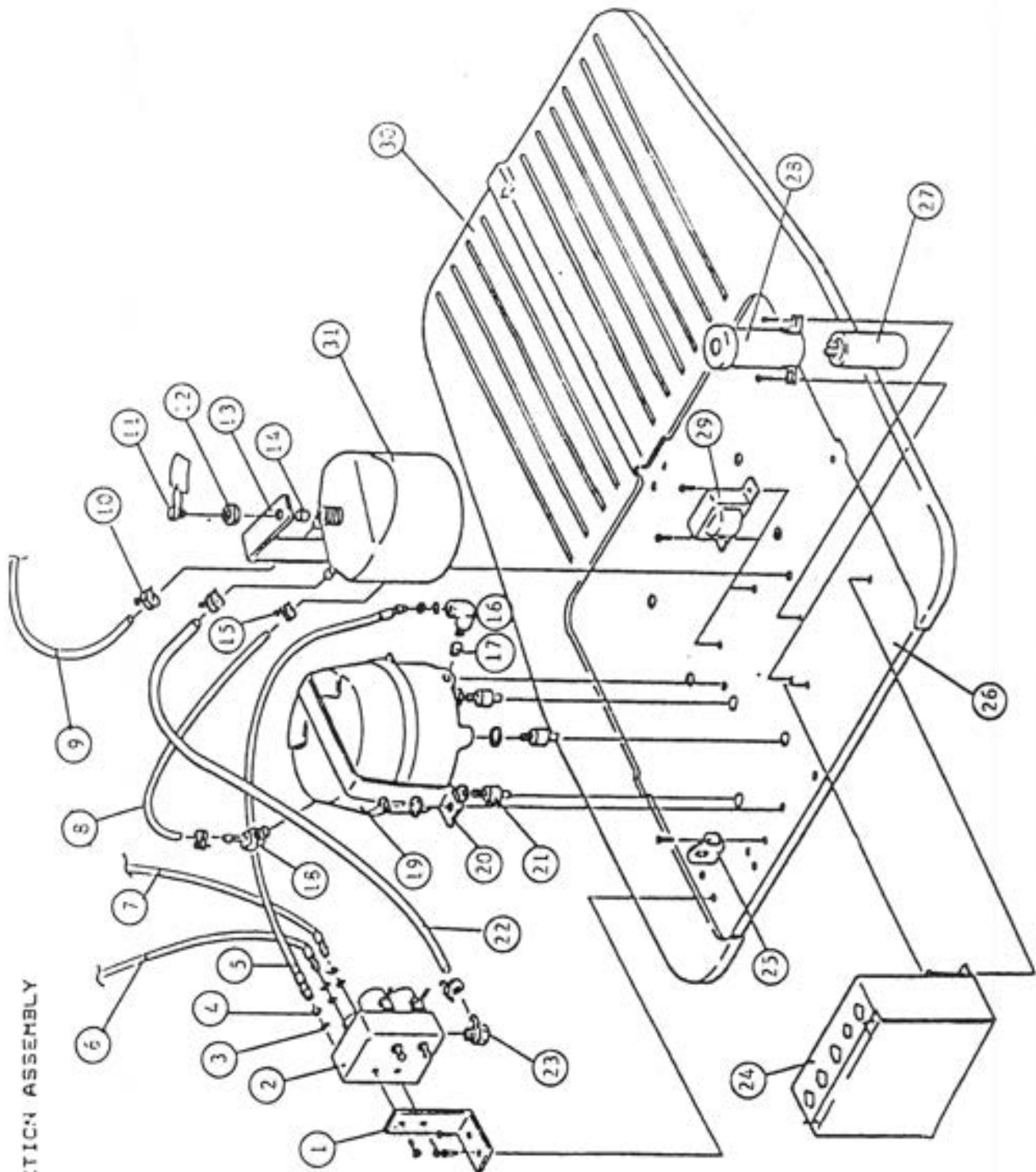
CANTILEVER ARM ASSEMBLY



BASE SECTION ASSEMBLY

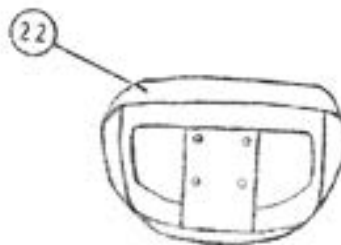
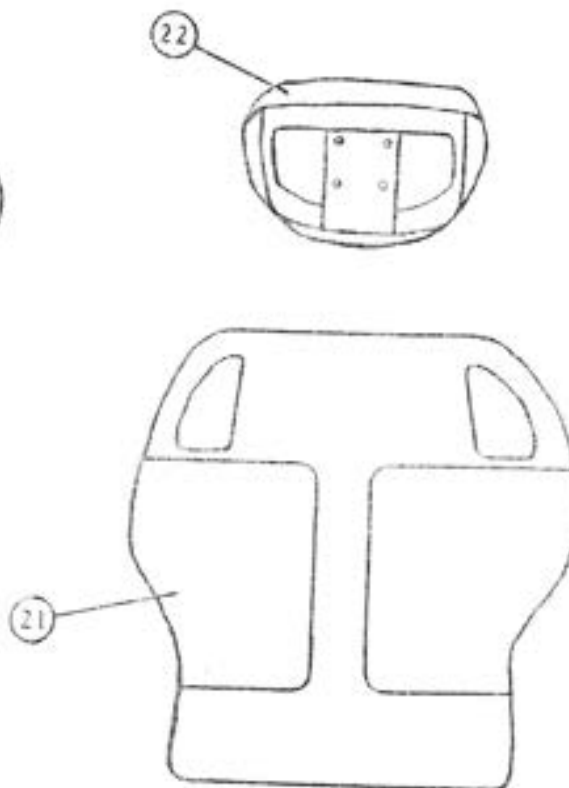
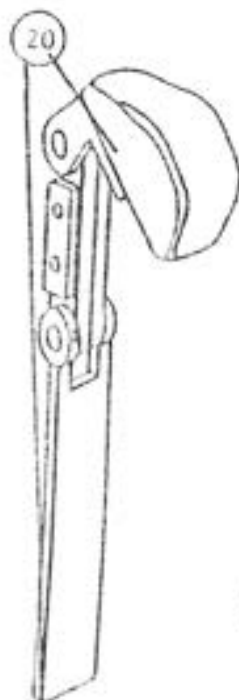
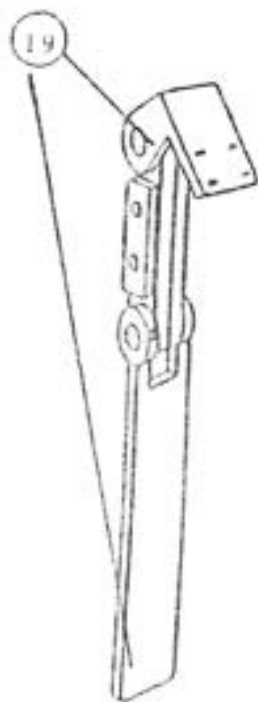
INDEX NO.	PART NO.	DESCRIPTION
1	B10-G0063	SUPPORT BRACKET
2	B10-X8083	SOLENOID VALVE ASSEMBLY
3	B10-F3470	O-RING
4	B10-Q6241	O-RING RETAINER
5	B10-R3491	HIGH PRESSURE HOSE (320 mm)
6	B10-D3176	HIGH PRESSURE HOSE (520 mm)
7	B10-U5035	HIGH PRESSURE HOSE (1400 mm)
8	B10-Q2279	LOW PRESSURE HOSE (320 mm)
9	B10-X5557	LOW PRESSURE HOSE
10	B10-F2268	HOSE CLAMP
11	B10-F6170	OIL CAP
12	B10-Q2069	NUT
13	B10-Q3252	OIL RESERVOIR BRACKET
14	B10-F6142	OIL FILTER
15	B10-F2269	CLAMP
16	B10-T1027	ELBOW
17	B10-F6133	STRAINER
18	B10-F2409	ELBOW
19	B10-D6065	MOTOR PUMP ASSEMBLY
20	B10-Q2247	MOTOR CLAMP
21	B10-R1214	MOTOR MOUNT
22	B10-X5557	LOE PRESSURE HOSE (400 mm)
23	B10-Q2438	ELBOW
24	B10-Z0067	RELAY BOX ASSEMBLY W/P.C. BOARD
25	B10-F3190	WIRE BRACKET
26	B10-A3098	BASE PLATE
27	B10-X5002	CAPACITOR
28	B10-E6057	CAPACITOR COVER
29	B10-X2801	TRANSFORMER
30	B10-A3099B	BASE MAT (BLACK)
	B10-A3099G	BASE MAT (GREY)
31	B10-C3244	RESERVOIR

BASE SECTION ASSEMBLY

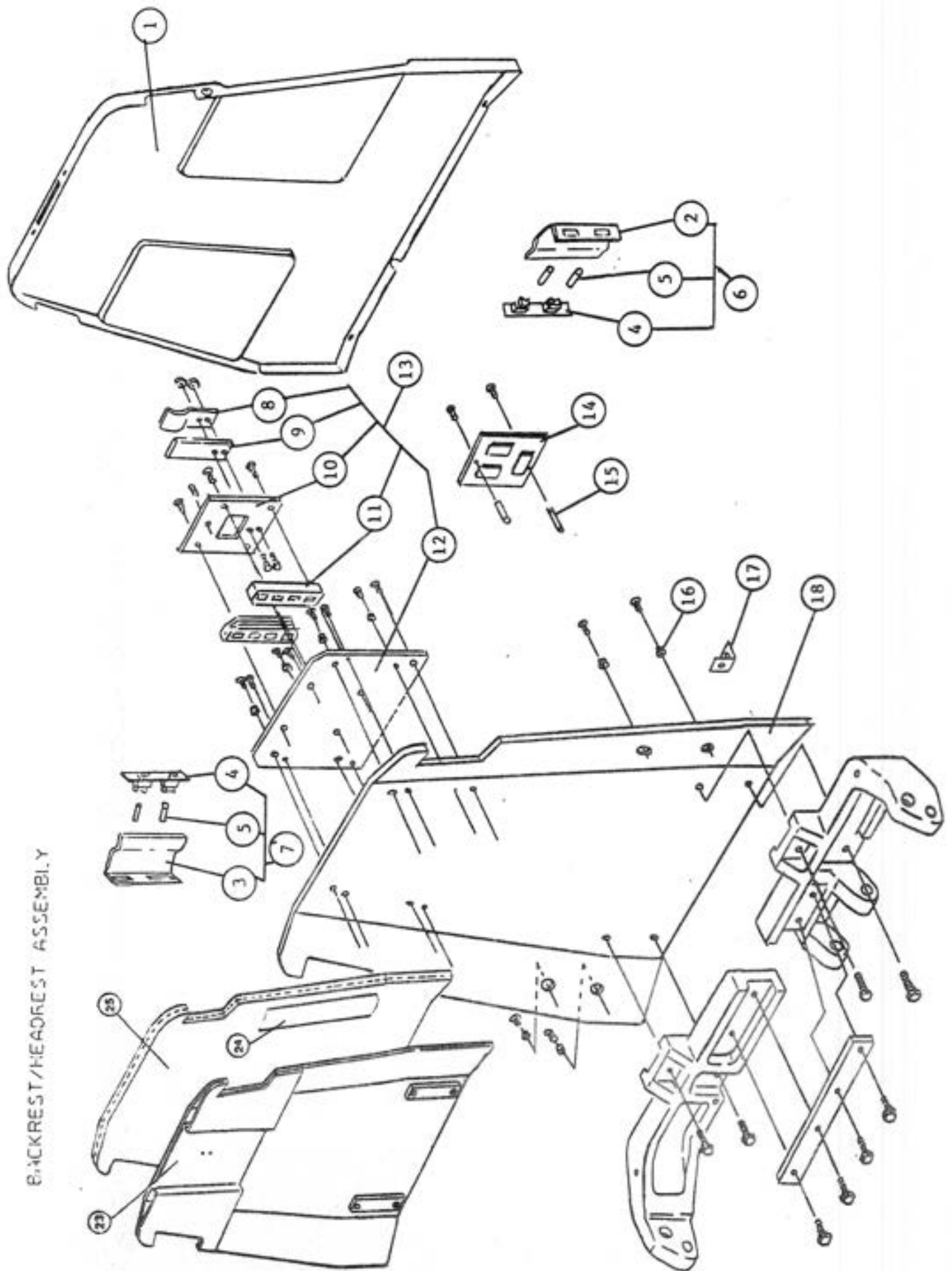


BACKREST/HEADREST ASSEMBLY

INDEX NO.	PART NO.	DESCRIPTION
1	B10-A3725	BACKREST FRAME COVER
2	B10-N3704	SWITCH GUARD LEFT (WHITE)
3	B10-N3703	SWITCH GUARD RIGHT (WHITE)
4	B10-X6521	SWITCH BOARD ASSEMBLY
5	B10-X6595	SPACER FOR SWITCH
6	B10-503902	BACKREST SWITCH ASSEMBLY (LEFT)
7	B10-503901	BACKREST SWITCH ASSEMBLY (RIGHT)
8	B10-S3739	SPRING BAR
9	B10-S3740	RUBBING BLOCK
10	B10-S3738	SPRING HOLDING PLATE
11	B10-U3534	HEADREST GUIDES
12	B10-T3974	HEADREST GUIDE PLATE
13	B10-503903	HEADREST GUIDE ASSEMBLY
14	B10-X6520	BACKREST CONNECTING BOARD
15	B10-X6337	SPACER FOR CONNECTING BOARD
16	B10-Y7083	SNAPS FOR UPHOLSTERY
17	B10-R3246	ANGLE BRACKET
18	B10-L3605	BACKREST FRAME
19	B10-350851B	HEADREST COMPLETE W/O CUSHION (BLACK GRIP)
	B10-350851W	HEADREST COMPLETE W/O CUSHION (WHITE GRIP)
20	B10-350852B	HEADREST COMPLETE W/ CUSHION (BLACK GRIP)
	B10-350852W	HEADREST COMPLETE W/ CUSHION (WHITE GRIP)
21	VFA-A3725	B/R WHITE PLASTIC FRAME COVER FOR PURITY
22	VFA-X6794	HEADREST WHITE PLASTIC COVER FOR PURITY
23	B10-H3829	BACKREST FRAME COMP. BLACK UPH.
24	B10-X6794	BACKREST VELCRO STRIPS
25	B10-X6780	BACKREST FRAME UPH.COVER

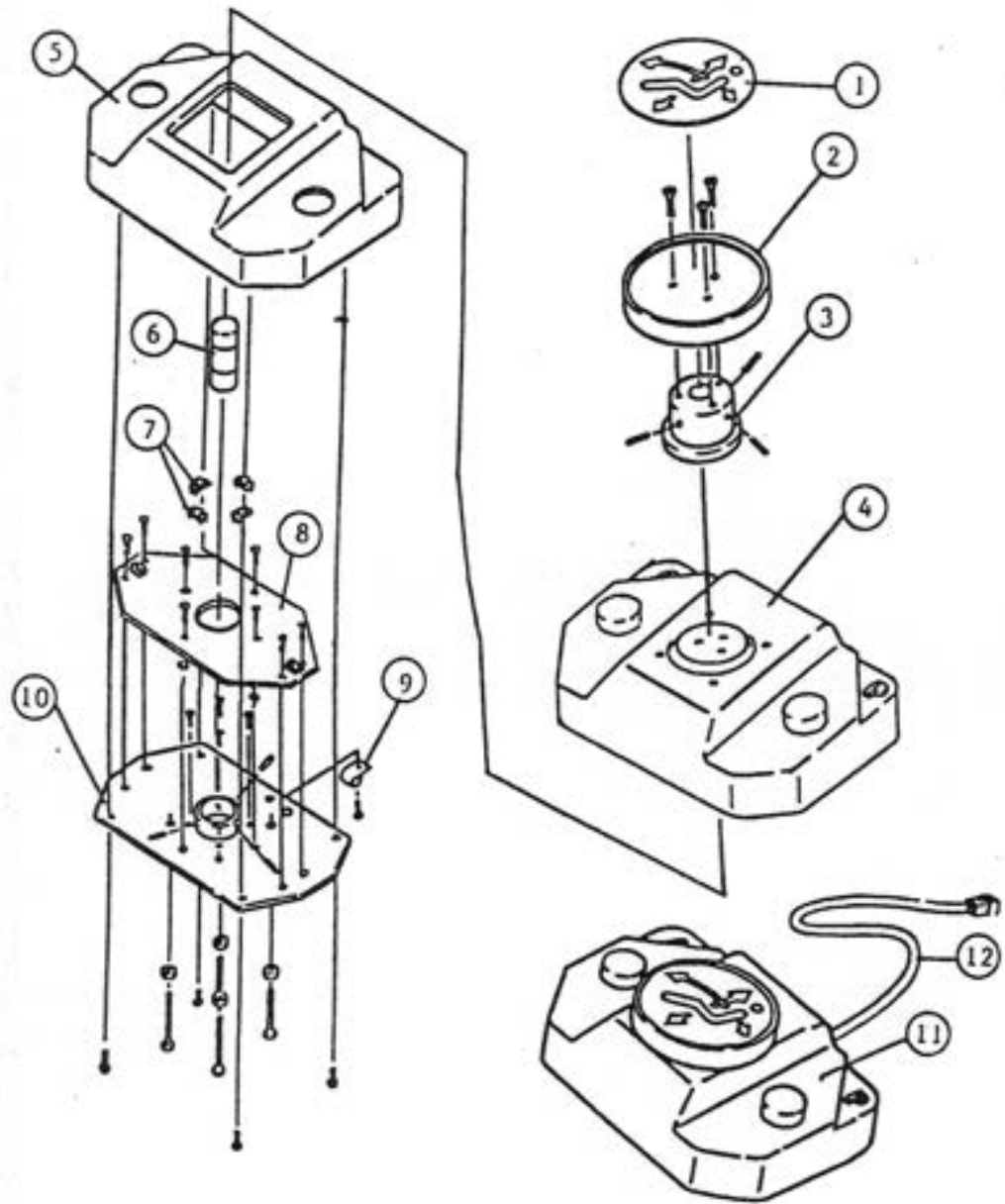


BACKREST/HEADREST ASSEMBLY



FOOT CONTROL ASSEMBLY

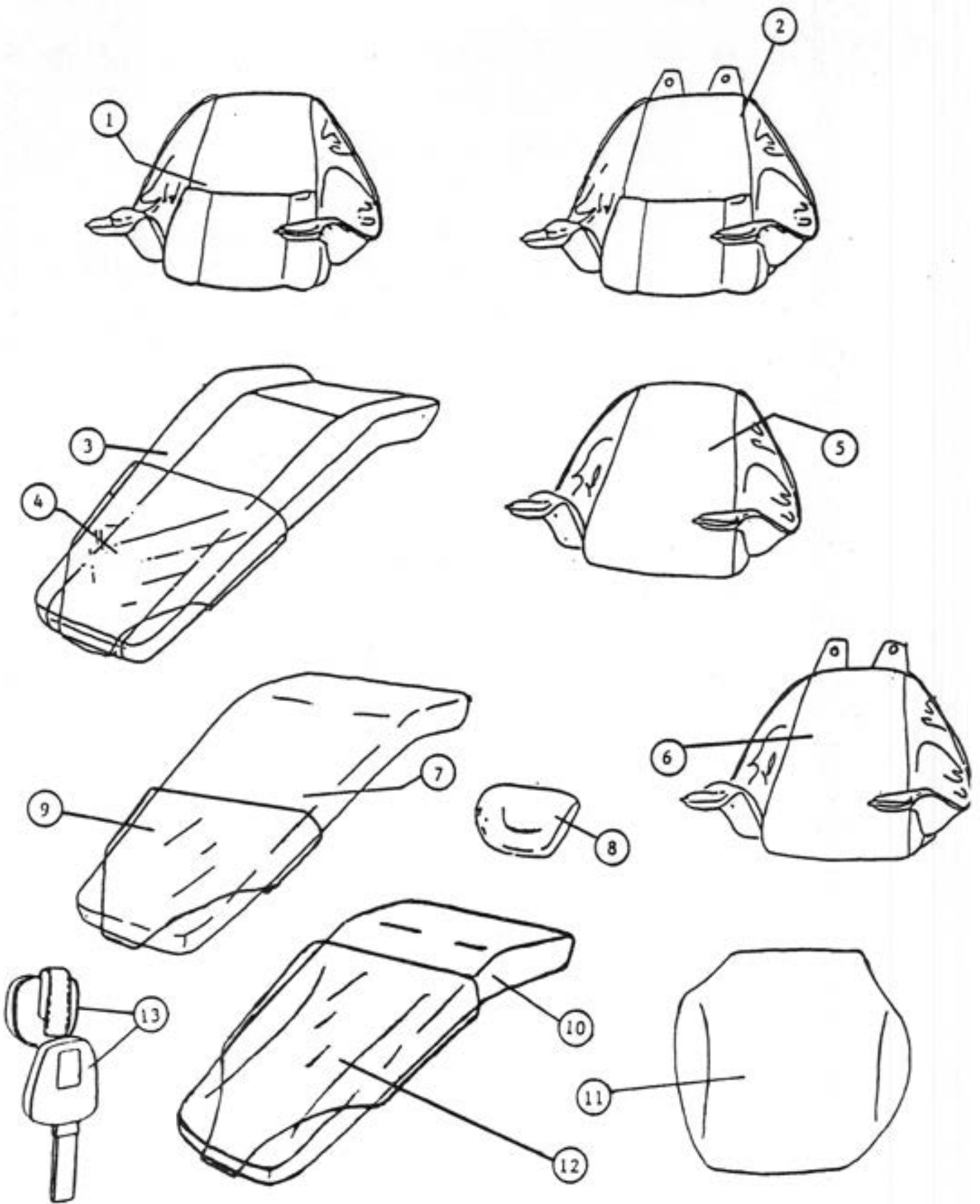
INDEX NO.	PART NO.	DESCRIPTION
1	B10-X7322	LABEL
2	B10-T3271B	DISC (BLACK)
	B10-T3271G	DISC (GREY)
3	B10-U3135	CAP
4	B10-K3276B	RUBBER COVER (BLACK)
	B10-K3276G	RUBBER COVER (GREY)
5	B10-K3275	FOOT CONTROL BODDY
6	B10-U3180	RUBBER SPRING
7	B10-X7325	SWITCHES
8	B10-X7898	FOOT CONTROL P.C. BOARD W/SWITCHES
9	B10-X5052	NYLON CLAMP
10	B10-K3191	SWITCH PLATE
11	B10-503780B	FOOT CONTROL COMPLETE (BLACK)
	B10-503780G	FOOT CONTROL COMPLETE (GREY)
12	B10-X7899	FOOT CONTROL WIRE HARNESS



UPHOLSTERY PARTS SECTION

INDEX NO.	PART NO.	DESCRIPTION
1	B10- X6792	BACKREST CUSHION FOR STANDARD
2	B10- X6797	BACKREST CUSHION FOR STANDARD W/SNAPS
3	B10- X6791	SEAT & LEGREST CUSHION FOR STANDARD
4	B10- B3643	LEGREST PROTECTOR FOR STANDARD
5	B10- Y7081	BACKREST CUSHION FOR SEAMLESS
6	B10- Y7080	BACKREST CUSHION FOR SEAMLESS W/SNAPS
7	B10- Y7082	SEAT & LEGREST CUSHION FOR SEAMLESS
8	B10- X6793	HEADREST CUSHION
	VFA- X6793	HEADREST CUSHION FOR PURITY
9	B10- B3644	LEGREST PROTECTOR FOR SEAMLESS
10	VFA- X6791	SEAT & LEGREST CUSHION FOR PURITY
11	VFA- X6797	BACKREST CUSHION FOR PURITY
12	VFA- X6795	LEGREST PROTECTOR FOR PURITY
13	B10-40800	FLAT HEADREST W/DONUT CUSHION FOR BEL-10

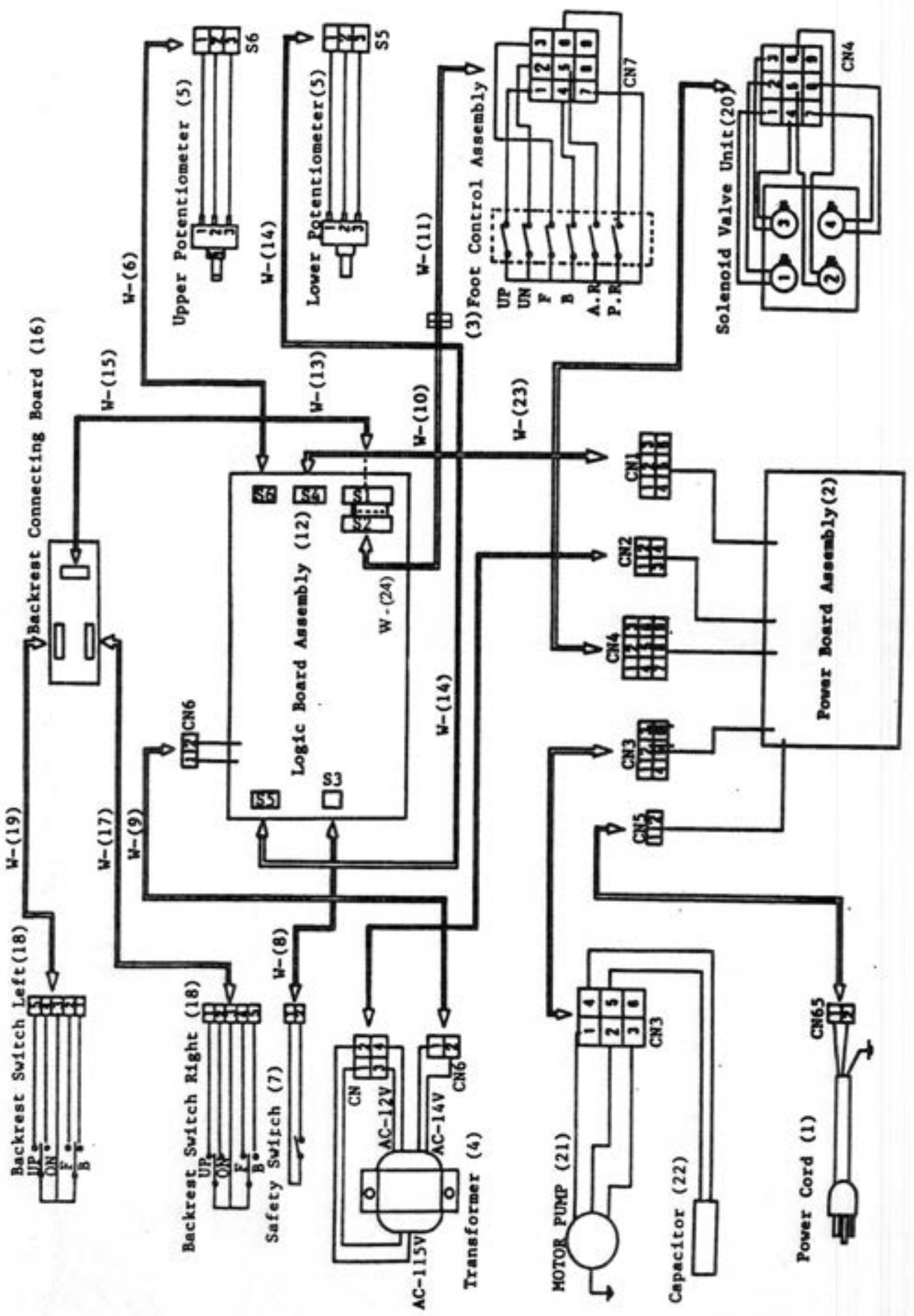
*** NOTE : UPH FOR BLACK CHAIR HAS VELCRO.
UPH FOR WHITE CHAIR HAS SNAPS. ***



WIRING SCHEMATIC PARTS LIST

INDEX NO.	PART NO.	DESCRIPTION
1	B10- AB0006	POWER CORD
2	B10- Z0067	RELAY BOX ASSEMBLY
3	B10- 503780	FOOT CONTROL COMPLETE
4	B10- X2801	TRANSFORMER
5	B10- 503904	POTENTIOMETER W/BRACKET F/RECLINE
	B10- 503905	POTENTIOMETER W/BRACKET F/BASE
W- 6	B10- X6528	WIRE HARNESS F/UPPER POT. TO LOGIC P.C.B. (S6)
7	B10- X6313	MICRO SWITCH
W- 8	B10- X6526	WIRE HARNESS F/SAFETY SW TO LOGIC P.C.B. (S3)
W- 9	B10- EB0014	WIRE HARNESS F/TRANS. TO LOGIC P.C.B. (CN6)
W-10	B10- X6531	WIRE HARNESS F/RELAY BOX TO LOGIC P.C.B. (S4)
W-11	B10- X7899	FOOT CONTROL WIRE HARNESS
12	B10- X6519	LOGIC P.C. BOARD
W-13	B10- X6530	WIRE HARNESS F/LOGIC P.C.B. (S1) TO BACKREST
W-14	B10- X6527	WIRE HARNESS F/LOWER POT. TO LOGIC P.C.B. (S5)
W-15	B10- X6525	WIRE HARNESS F/BACKREST CONNECTOR BOARD
16	B10- X6520	BACKREST CONNECTING BOARD
W-17	B10- X6524	WIRE HARNESS F/B/R SWITCH(R) TO B/R CON. BOARD
18	B10- X6521	SWITCH BOARD ONLY
W-19	B10- X6523	WIRE HARNESS F/B/R SWITCH(L) TO B/R CON. BOARD
20	B10- T3430	SOLENOID VALVE ASSEMBLY
21	B10- D6065	MOTOR PUMP ASSEMBLY (5L)
22	B10- X5002	CAPACITOR
W-23	B10- X6532	WIRE HARNESS F/SOLENOID VALVE TO RELAY BOX
W-24	B10- X6529	WIRE HARNESS F/LOGIC P.C.B. TO F/C WIRE HARNESS

*** NOTE : ITEMS MAKED WITH "W" ARE WIRES. ***



BLP5000797