

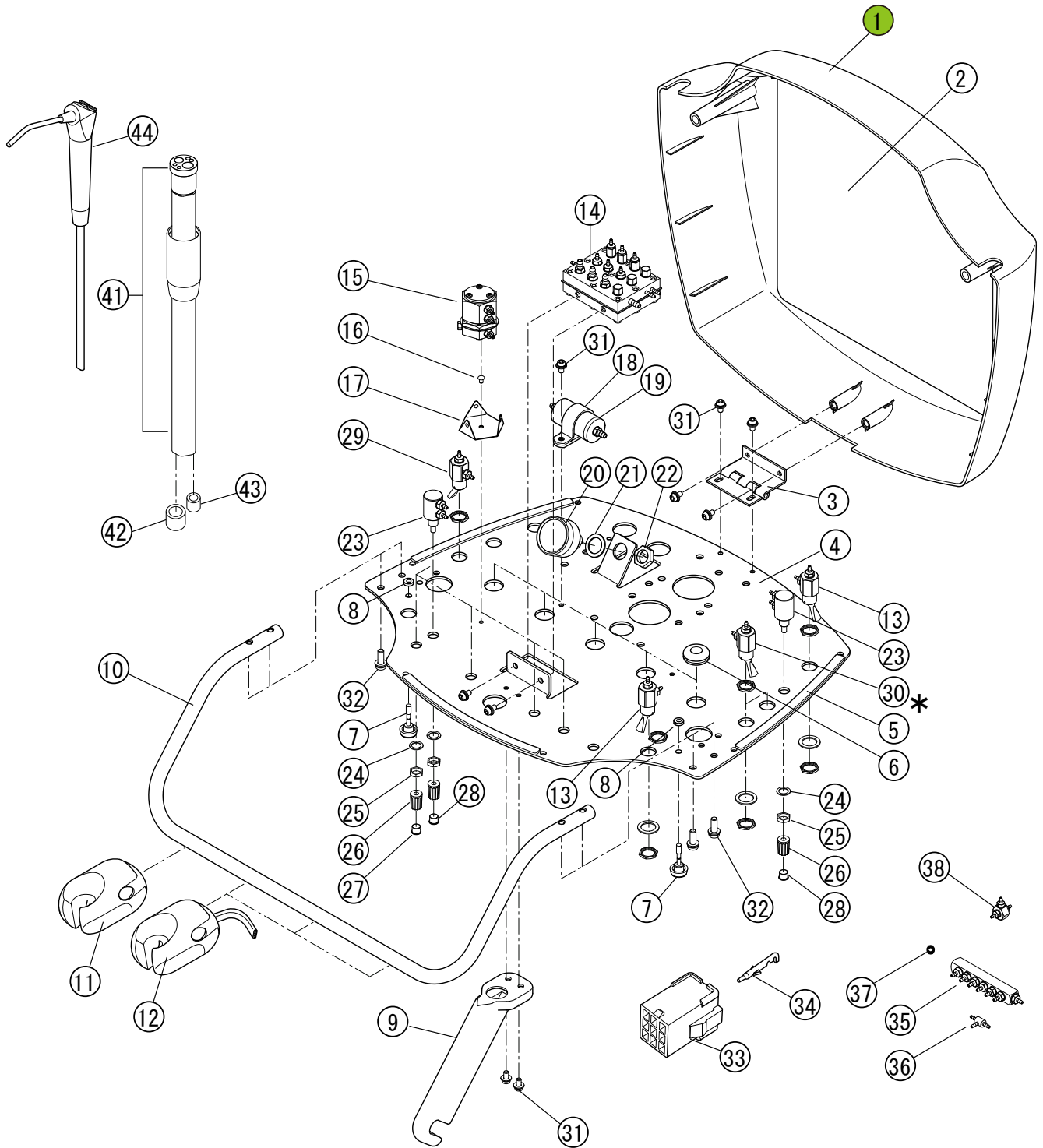
X-CALIBUR™
Delivery Systems
PARTS LIST

 **Belmont**

TABLE OF CONTENTS

No.		Page
1	Doctor Table Section-1 (BDS-2500/2505/2510/2515)	1
2	Doctor Table Section-2 (BDS-2570/2575/2580)	3
3	Balance Arm Section (BDS-2500/2505/2510/2515/2570/2575/2580)	5
4	Horizontal Arm Section (BDS-2500/2505/2510/2515)	7
5	Cuspidor top Section (BDS-2500/2505/2520/2580)	8
6	Telescoping Assistant Instrument Holder Section (BDS-2500/2505/2520/2525/2580)	10
7-1	PMU Section (BDS-2500/2505/2510/2515/2520/2525)	12
7-2	PMU Section (BDS-2580)	14
8	Mounting Bracket for Acu Trac Chair (BDS-2500/2505/2510/2515/2520/2525)	16
9	Mounting Bracket for Bel-20 Chair (BDS-2500/2505/2510/2515/2520/2525)	17
10	Swing Mount Arm Section for BDS-2530	18
11	Swing Mount Arm Section for BDS-2570	19
12	Swing Mount Arm Section for BDS-2575	21
13	Swing Mount Arm Section for BDS-2580	23
14	Mounting Plate for Acu Trac Chair (BDS-2530/2570/2575/2580/2590)	25
15	Mounting Plate for Bel-20 Chair (BDS-2530/2570/2575/2580/2590)	26
16	Cuspidor Swing Arm Section for BDS-2580	27
17	Light Pole Ass'y for Mounting BDS-2535 onto BDS-2500/2505/2510/2515	28
18	Light Pole Ass'y for Mounting BDS-2535 onto BDS-2520/2525	29
19	PMU Section for BDS-2505 (W/O Assistant Instrument Section)	30
20	PMU Section for BDS-2510 (W/O Cuspidor top Section)	31
21	PMU Section for BDS-2515 (W/O Cuspidor top + Assistant Instrument Section)	32
22	PMU Section for BDS-2520/2525 (W/O Horizontal Arm Section)	33
23	Doctor Table Section for BDS-2555	34
24	Balance Arm Section for BDS-2555	36
25	Horizontal Arm Section for BDS-2555	38
26	Mounting Bracket for BDS-2555	39
27	Water Bottle System for BDS-2555	40
28	Swing Mount Arm Section for BDS-2590	41
29	Auto Select Valve Ass'y	42
30	J-Box Section	43
31	Light Pole Ass'y for Mounting BDS -2535 onto BDS-2530/2570/2580	44

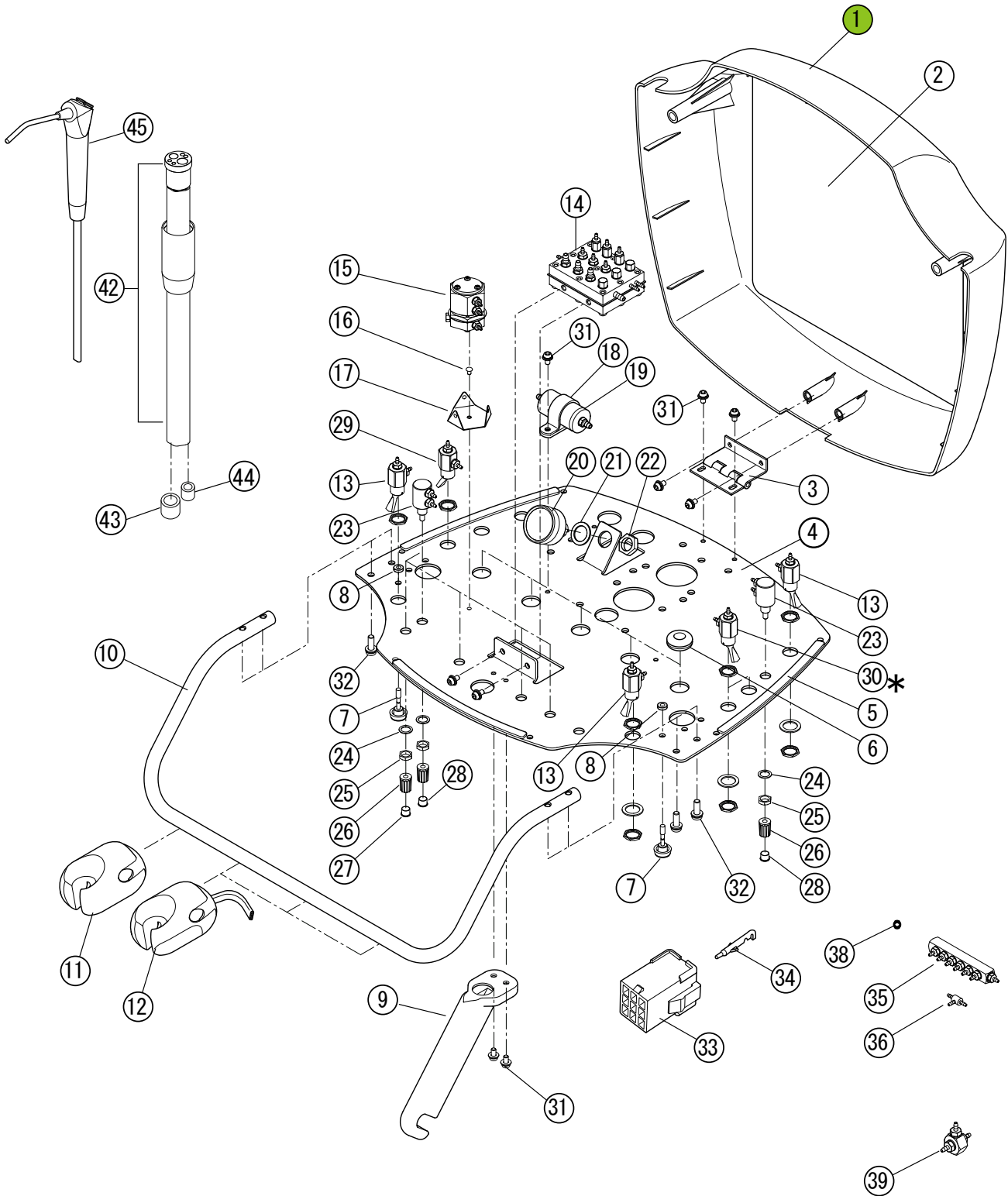
1. Doctor Table Section-1 (BDS-2500/2505/2510/2515)



1. Doctor Table Section-1 (BDS-2500/2505/2510/2515)

ID. No.	Parts No.	Description	QTY
1	FATA02E0	Dr. Table Cover	1
2	FATB25E0	Label for Flow Diagram	1
3	FATA03D0	Hinge	1
4	FATA58F0	Dr. Table Chassis	1
5	FATA65A0	Cushion Rubber	3
6	FJTA05A0	Grommet 8-10-2	5
7	FJAA26A0	Knob Fasteners	2
8	FABA62A0	Nut	2
9	FASA80A0	Center Brace	1
10	FATA15C0	Holder Bar	1
11	#4566	Asepsis Standard Holder	1
12	#4561	Asepsis Holder Assembly	3
13	V-1506-3	Toggle Valve, 3W on/off. for Master Shut-off	2
14	FGTA09C0	Auto-select Valve Ass'y	1
15	FHBA78A0	Pull Back Valve Ass'y	1
16	FJMA02A0	Push Rivet (P3045W)	1
17	FALD30A0	Pull Back Valve Bracket	1
18	FJRA53A0	Nylon Clamp SL-14N	1
19	AGFM02A0	Inline Filter Ass'y	1
20	FHTA03B0	Pressure Gauge Ass'y	1
21	FALC14A0	Washer (1/2)	1
22	FALC15A0	Nut (1/4)	1
23	AGFM03A0	Needle Valve Ass'y	6
24	FALC50A0	Washer	6
25	FALC49A0	Nut	6
26	FJLA14A0	Knob	6
27	FJLA15A0	Cap for Knob (Blue)	4
28	FJLA16A0	Cap for Knob (Yellow)	2
29	V-1507-3G	Momentary Toggle Valve, 3W, N.C. for HP FLUSH OUT	1
30	V-1507-3G	Momentary Toggle Valve, 3W, N.C. for Remote Toggles * (BDS-2500 & BDS-2505 only)	2
31	ZA88JLPU	Screw M4 x 8	7
32	ZA88JNWU	Screw M5 x 20	4
33	FJLA07A0	Mate -N- Lock Connector (9P)	1
34	FJLA08A0	Terminal Pin	9
35	FGTA10B0	Air Manifold Ass'y (8P)	1
36	P-1875	1/16" Barb Tee	1
37	FJNA26A0	Sφ3.95Filter	1
38	FGMA79A0	Shuttle Valve Ass'y	1
39			
40			
41	432T	HANDPIECE TUBING ASSY	3
42	P-1062	1/4" Tubing Collars	
43	P-1061	1/8" Tubing Collars	
44	#3439	Contour Syringe w/Tubing	1

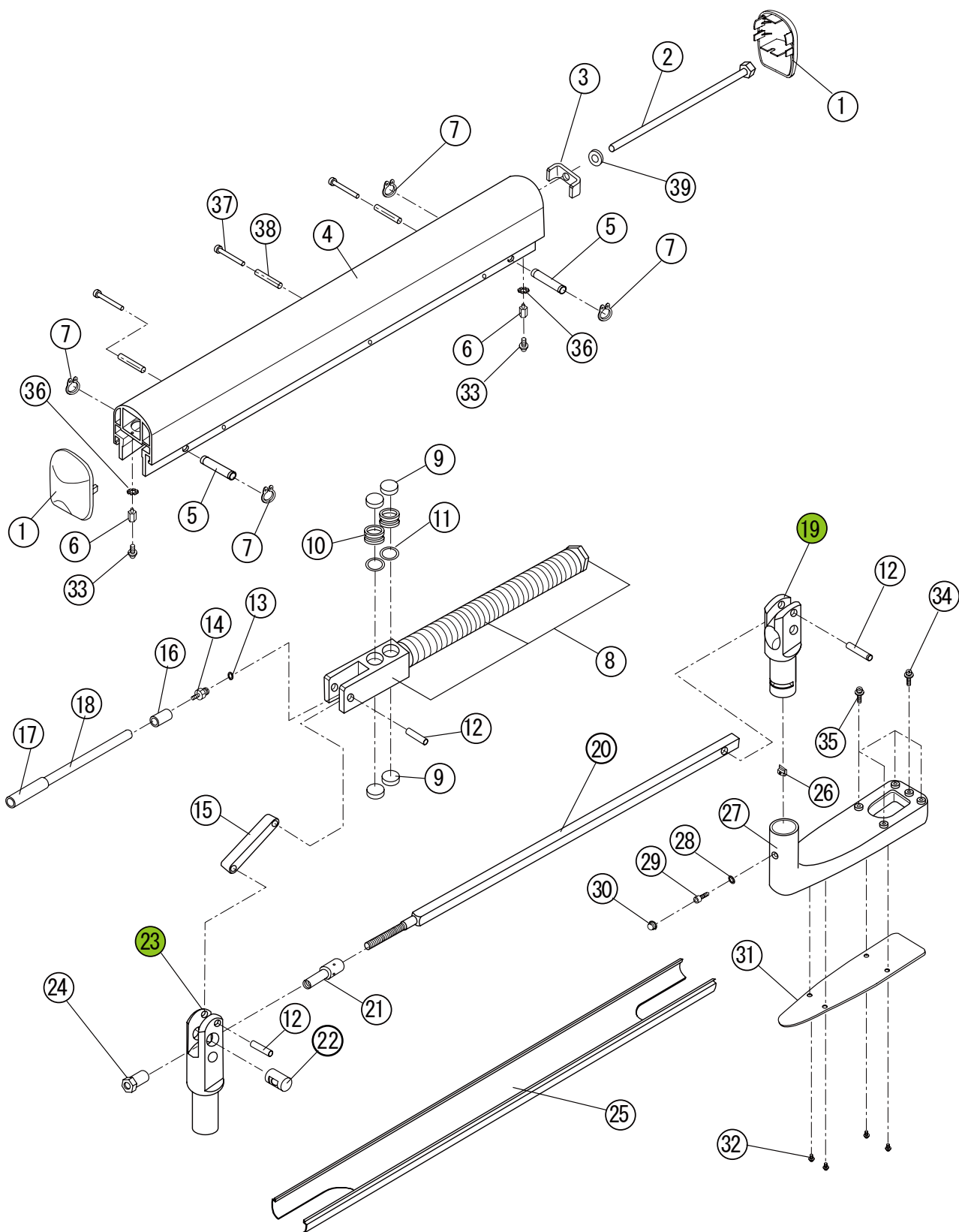
2. Doctor Table Section-2 (BDS-2570/2575/2580)



2. Doctor Table Section-2 (BDS-2570/2575/2580)

ID. No	Parts No.	Description	QTY
1	FATA02E0	Dr. Table Cover	1
2	FATB25E0	Label for Flow Diagram	1
3	FATA03D0	Hinge	1
4	FATA58F0	Dr. Table Chassis	1
5	FATA65A0	Cushion Rubber	3
6	FJTA05A0	Grommet 8-10-2	5
7	FJAA26A0	Knob Fasteners	2
8	FABA62A0	Nut	2
9	FASA80A0	Center Brace	1
10	FATA15C0	Holder Bar	1
11	#4566	Asepsis Standard Holder	1
12	#4561	Asepsis Holder Assembly	3
13	V-1506-3	Toggle Valve, 3W on/off. for Master Shut-off	3
14	FGTA09C0	Auto-select Valve Ass'y	1
15	FHBA78A0	Pull Back Valve Ass'y	1
16	FJMA02A0	Push Rivet (P3045W)	1
17	FALD30A0	Pull Back Valve Bracket	1
18	FJRA53A0	Nylon Clamp SL-14N	1
19	AGFM02A0	Inline Filter Ass'y	1
20	FHTA03B0	Pressure Gauge Ass'y	1
21	FALC14A0	Washer (1/2)	1
22	FALC15A0	Nut (1/4)	1
23	AGFM03A0	Needle Valve Ass'y	6
24	FALC50A0	Washer	6
25	FALC49A0	Nut	6
26	FJLA14A0	Knob	6
27	FJLA15A0	Cap for Knob (Blue)	4
28	FJLA16A0	Cap for Knob (Yellow)	2
29	V-1507-3G	Momentary Toggle Valve, 3W, N.C. for HP FLUSH OUT	1
30	V-1507-3G	Momentary Toggle Valve, 3W, N.C. for Remote Toggles * (BDS-2580 & BDS-258D only)	2
31	ZA88JLPU	Screw M4 x 8	7
32	ZA88JNWU	Screw M5 x 20	4
33	FJLA07A0	Mate -N- Lock Connector (9P)	1
34	FJLA08A0	Terminal Pin	9
35	FGTA10B0	Air Manifold Ass'y (8P)	1
36	P-1875	1/16" Barb Tee	2
37			
38	FJNA26A0	S ϕ 3.95 Filter	1
39	FGMA79A0	Shuttle Valve Ass'y	2
			3
42	432T	HANDPIECE TUBING ASSY	3
43	P-1062	1/4" Tubing Collars	
44	P-1061	1/8" Tubing Collars	
45	#3439	Contour Syringe w/Tubing	1

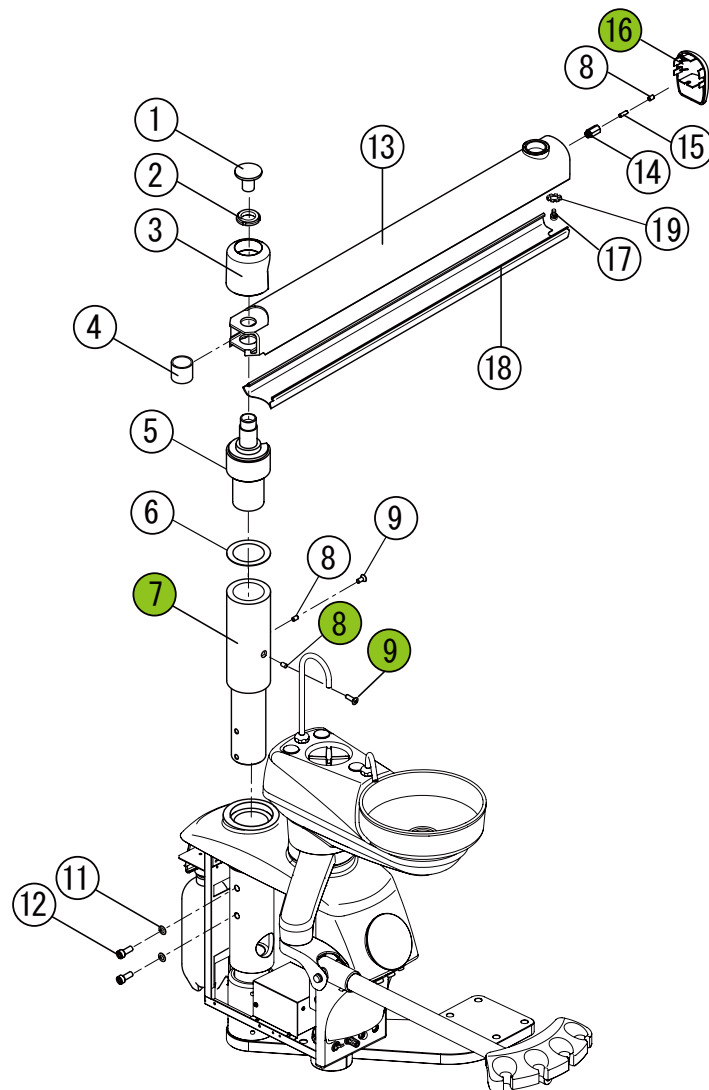
3. Balance Arm Section (BDS-2500/2505/2510/2515/2570/2575/2580)



3. Balance Arm Section (BDS-2500/2505/2510/2515/2570/2575/2580)

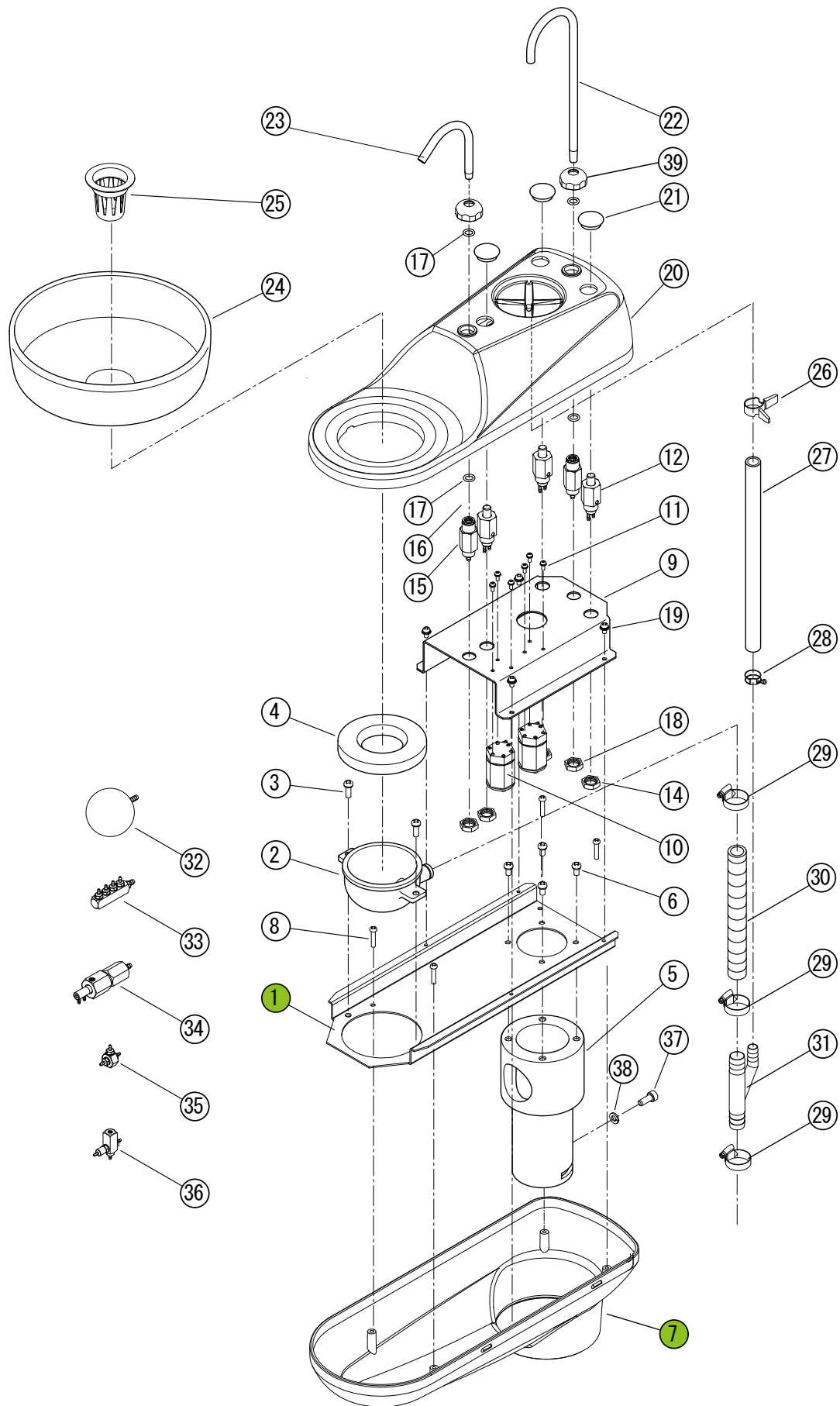
ID. No.	Parts No.	Description	QTY
1	1A0AJ9A0	Arm End Cap	2
2	FATA39B0	Spring Adjusting Bolt	1
3	FATA38B0	Bolt Support	1
4	FATA51B0	Balance Arm Frame	1
5	FATA48A0	Hinge Pin _10	2
6	FATA50A0	End Cap Support	2
7	FJTA07A0	C-Clip	4
8	FHTA04A0	Spring Ass'y	1
9	AADS75A0	Brake Shoe	4
10	FATA42A0	Piston	2
11	FJMA96A0	O-Ring (P-21)	2
12	FATA47A0	Hinge Pin _8	3
13	AAES67A0	Nylon Washer, 10-32 (seal)	1
14	AAES68A0	1/16" × 10-32 barb (plated)	1
15	FATA43A0	Brake Lock Lever	1
16	P-1061-1	1/8" Tubing Collars	1
17	FJMC21A0	Insulation Tube (Grey)	1
18	1A-013-10	1/8" O.D. × .066 I.D. 85A CLEAR TUBING	1
19	1G03X8A0	Support Joint (Front) Ass' y	1
20	FATA37B0	Tension Adjust Rod	1
21	FATA44A0	Tension Adjust Nut	1
22	FATA46B0	Tension Adjust Hinge	1
23	1G03X7A0	Support Joint (Rear) Ass' y	1
24	FATA45B0	Lock Nut	1
25	FATA52A0	Balance Arm Bottom Cover	1
26	FATA05A0	Rotation Stopper	1
27	FATA14B0	Table Bracket	1
28	ZB551NAU	Teeth Washer M5	1
29	ZA761NSU	Hex Socket Bolt M5 x 12	1
30	FJLA59A0	Protection Cap (SW8-2-G6)	1
31	FATA62A0	Bracket Cover	1
32	ZA114LNU	Screw M4 x 6	4
33	ZA88JLRU	Screw M4 x 10	2
34	ZA88JLPU	Screw M4 x 8	1
35	ZA88JN#U	Screw M5 x 15	4
36	ZB552LAY	Tooth Lock Washer M4	2
37	ZA111L3Y	Screw M4 x 45	3
38	AEFV59A0	Nylon Sleeve 4 x 6 x 32L	3
39	1E00BKA0	Washer 10 x 22 x 1	1

4. Horizontal Arm Section (BDS-2500/2505/2510/2515)



ID. No.	PartsNo.	Description	QTY
1	FATB05B0	Cap for Rotation Axis	1
2	FJTA25A0	Fine U-Nut (FU05SS)	1
3	FASA98D0	Cover for Rotation Axis	1
4	FATA76C0	Rotation Spacer	1
5	1G00LTA0	Rotation Axis	1
6	FATB03A0	Thrust Washer _70x_50x1t	1
7	FHTA06D0	Rotation Adapter Ass'y	1
8	ZA7720RU	Set Screw M6 x 10	3
9	ZA113TSU	Screw M6 x 14	2
10	ZA113TWU	Screw M6 x 20	1
11	ZB511PAU	Spring Washer M8	2
12	ZA761PWU	Hex Socket Bolt M8 x 20	2
13	FHTA05C0	Swing Arm Ass'y	1
14	FAAA29A0	Brake Plug	1
15	FAAA30A0	Brake Shoe	1
16	1A0AJ9A0	Arm End Cap	1
17	ZA88JLRU	Screw M4 x 10	1
18	FATA20B0	Swing Arm Bottom Cover	1
19	ZB552LAY	Tooth Lock Washer M4	1

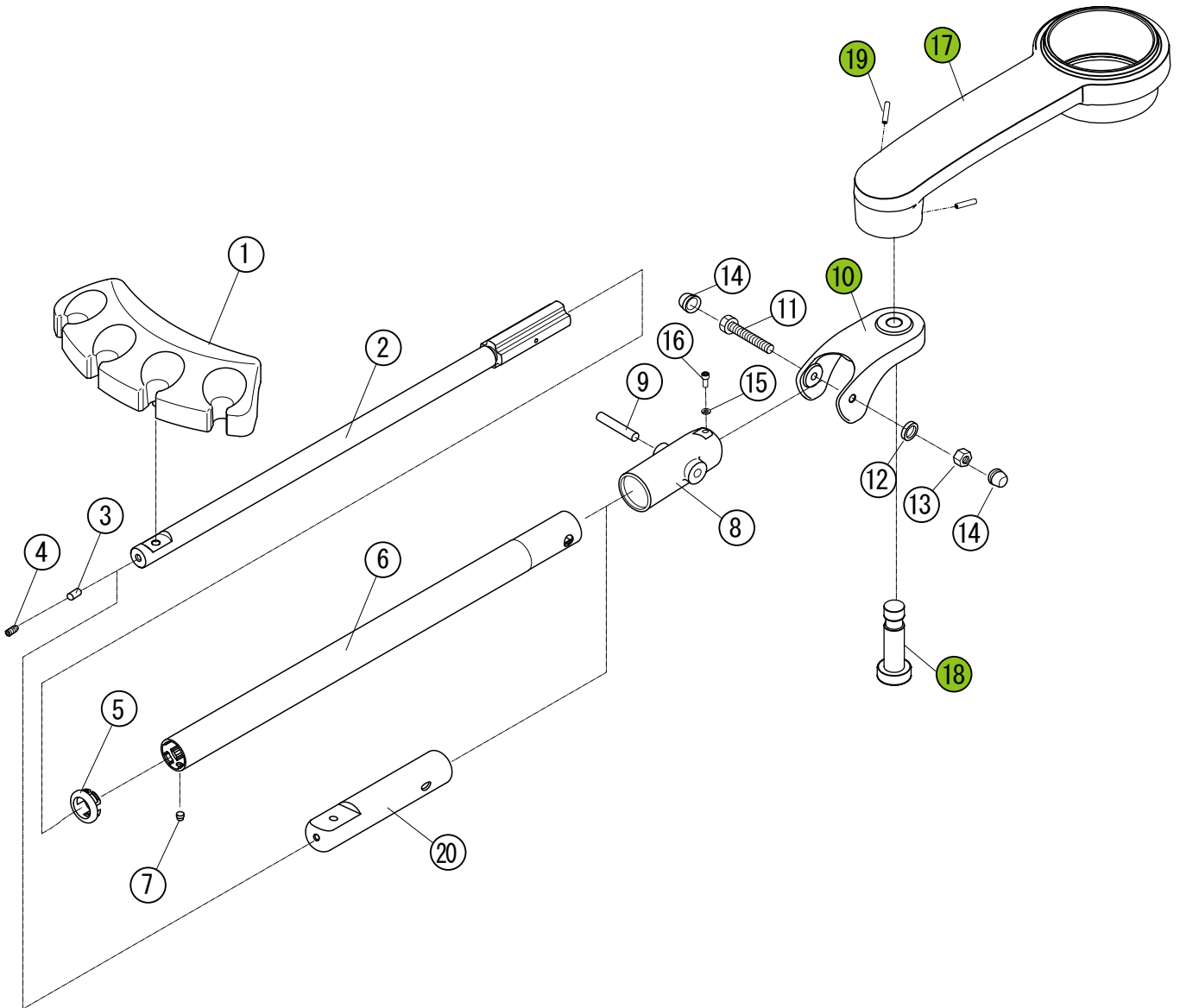
5. Cuspidor top Section (BDS-2500/2505/2520/2580)



5. Cuspidor top Section (BDS-2500/2505/2520/2580)

ID. No.	Parts No.	Description	QTY
1	FATA66D0	Cuspidor Chassis	1
2	FASA89A0	Drain Joint	1
3	ZA88JNSU	Screw M5 x 12	2
4	FATA17A0	Cuspidor Bowl Packing	1
5	FATA24A0	Rotating Axis	1
6	ZA88JN#U	Screw M5 x 15	4
7	1A0ADFBO	Cuspidor Cover - Lower	1
8		Screw M4 x 16	4
9	FATA67B0	Valve Bracket	1
10	FHBA72A0	Mini Master Valve Ass'y	2
11	ZA88JJPY	Screw M3 x 8	6
12	FGTA21A0	Push Button Valve Ass'y	3
13	F13-FALC14A0	Washer (1/2)	5
14	FANA37A0	Nut for Push Button Valve	3
15	1A09CJA0	Nozzle Holder	2
16	FJCA34A0	O-Ring (ϕ 17.15 x ϕ 11.91 x 2.62W)	2
17	FJTA29A0	O-Ring (ϕ 11.7 x ϕ 7.5 x 2.1W)	4
18	FALC15A0	Nut (1/4)	2
19	ZA88JLPU	Screw M4 x 8	4
20	1A0ADEA0	Cuspidor Cover - Upper	1
21	FATA23A0	Push Button Cover	3
22	FATA80B0	Cupfiller Nozzle	1
23	FATB23B0	Bowl Rinse Nozzle	1
24	FATA16A0	Cuspidor Bowl	1
25	6400-1C	Basket Strainer (PINNACLE)	1
26	FJTA23A0	Tube Retainer (T12)	1
27	FJMA89A0	Vinyl Tube ϕ 13 x ϕ 10	1
28	DAOS36B0	Hose Clamp (13mm)	1
29	X-42270	Hose Clamp (18-25-0X)	3
30	FJNA40A0	Drain Hose (ϕ 22 x ϕ 15)	1
31	FATA98A0	Drain Manifold	1
32	FAMD80A0	Air Chamber	1
33	FHBA73A0	Air Manifold Ass'y	1
34	FHBA75A0	Vibration Absorber Ass'y (N.O.)	1
35	FGMA79A0	Shuttle Valve Ass'y	3
36	FHBA74A0	Flow Control Valve Ass'y	1
37	ZA7650HU	Hex Socket Bolt M6 x 15	1
38	ZB5110AU	Spring Washer M6	1
39	1A0AKRA0	Nozzle Nut M14	2
	FHBA02A0	Cuspidor Top Ass'y	1

6. Telescoping Assistant Instrument Holder Section (BDS-2500/2505/2520/2525/2580)



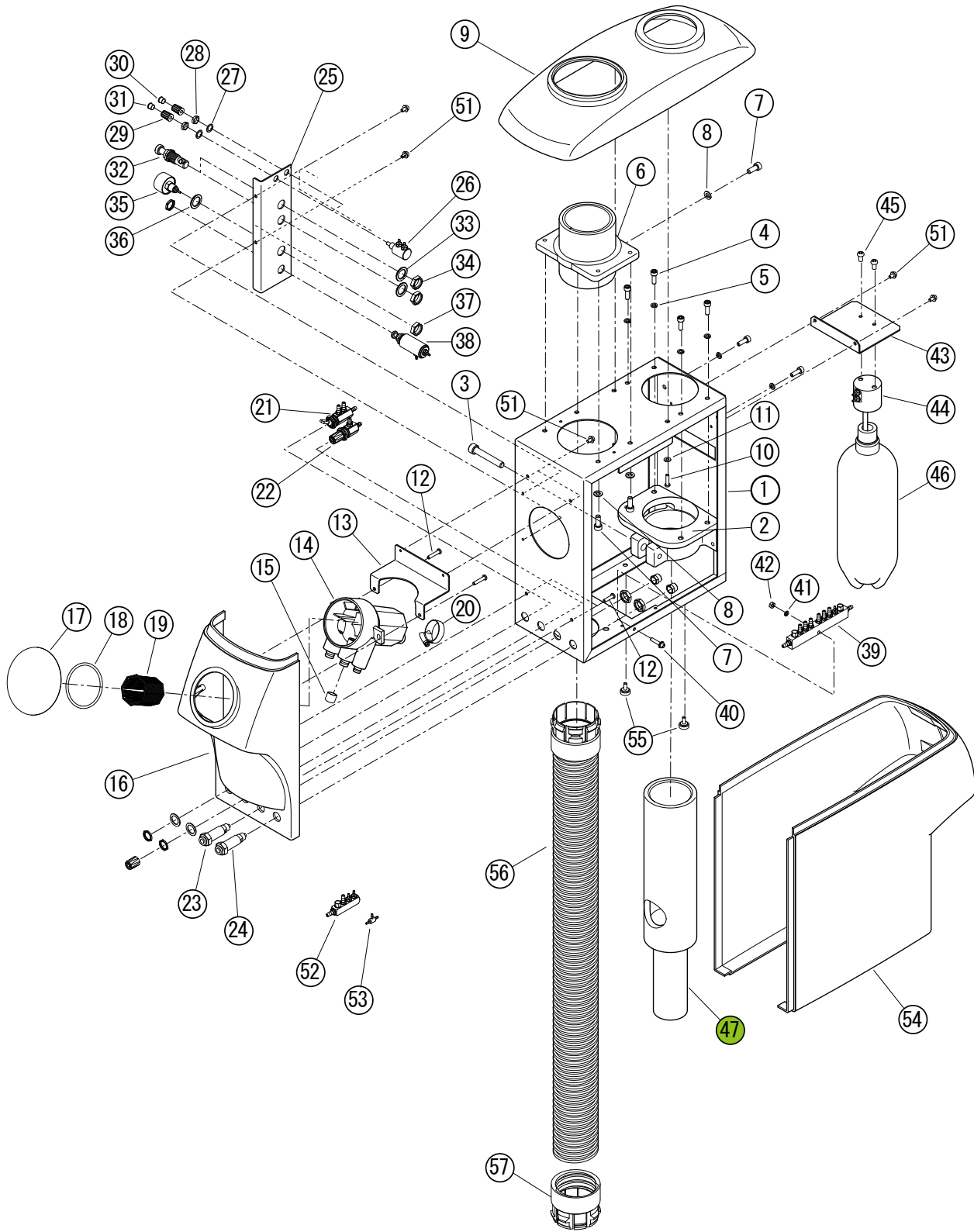
6. Telescoping Assistant Instrument Holder Section (BDS-2500/2505/2520/2525/2580)

ID. No.	Parts No.	Description	QTY
1	FASA85C0	Assistant Inst. Holder	1
2	FHTA12B0	Telescopic Bar Ass'y	1
3	FALD22A0	Brake Shoe	1
4	ZA761NNU	Set Screw M5 x 6	1
5	FAQA82A0	Spigot	1
6	FATA57B0	Ass't Holder Bar	1
7	FARA68A0	Stopper	1
8	FATA27C0	Swing-Up Bracket	1
9	FATA55A0	Spacer (B)	1
10	FATA26D0	Ass't Rotation Bracket (B)	1
11	ZA80A06U	Hex Head Bolt M6 x 60	1
12	ZB5110AU	Spring Washer M6	1
13	ZA81206U	Nut M6	1
14	FJLA58A0	Protection Cap (SW10-2-G7)	2
15	ZB511LAU	Spring Washer M4	1
16	ZA761LPU	Hex Socket Bolt M4 x 8	1
17	1A0AAGA0	Ass' t Rotation Bracket (A)	1
18	1A0AAJA0	Hinge Pin	1
19	ZA7740RU	Set Screw M6 x 10	2

1~16	FHBA21B0	Assistant Arm (B) Ass'y	1
------	----------	-------------------------	---

20	C-1916	Short Type Arm (variation part of 2, 5, 6, 7)	1
----	--------	--	---

7-1. PMU Section (BDS-2500/2505/2510/2515/2520/2525)



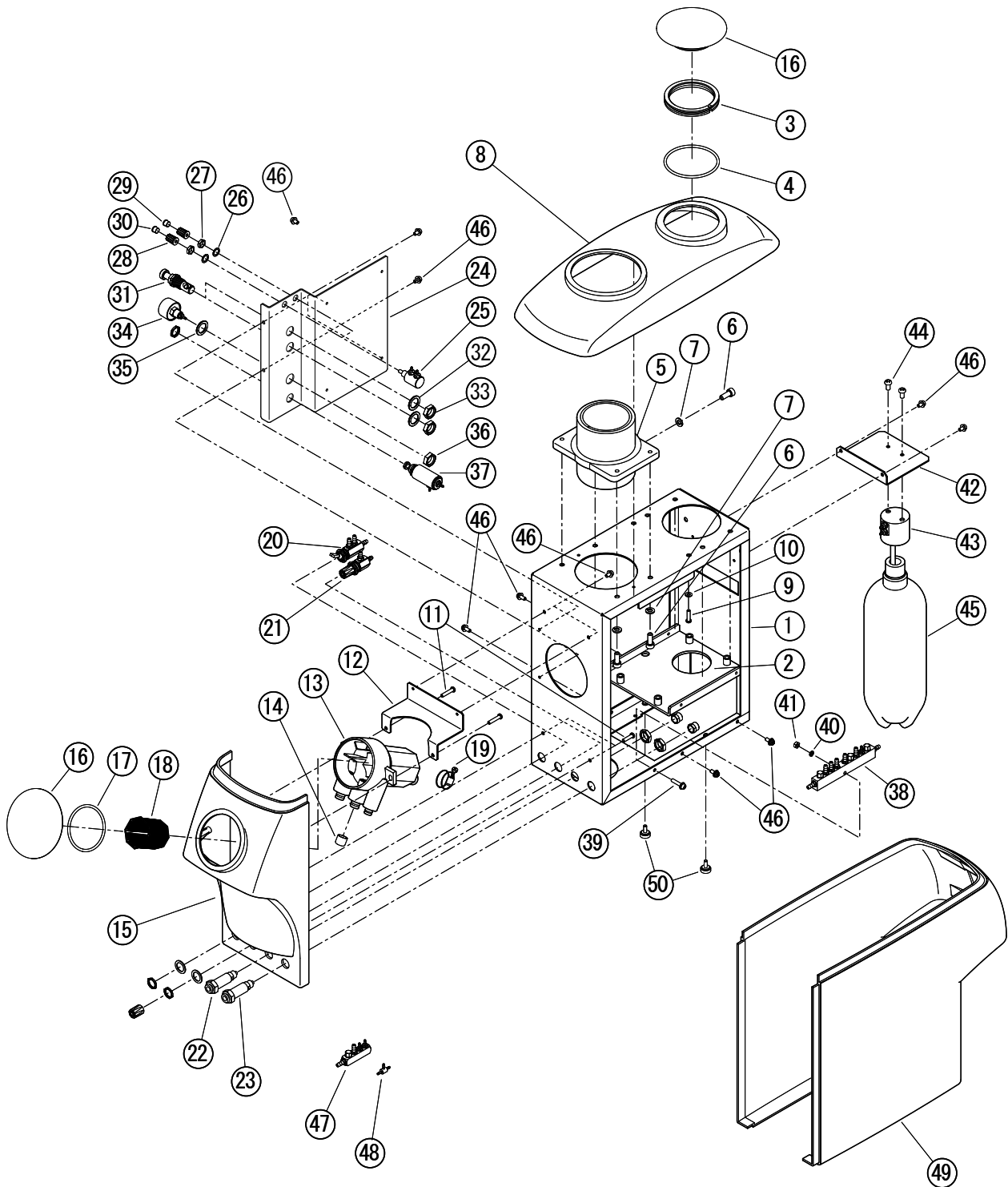
ID. No.	Parts No.	Description	QTY
1	FATA70H0	Cuspidor Chassis	1
2	FABA32A0	Cuspidor Bracket	1
3		Hex Socket Bolt M8 x 50	1
4	ZA765N#U	Hex Socket Bolt M5 x 15	6
5	ZB511NAU	Spring Washer M5	6

7-1. PMU Section (BDS-2500/2505/2510/2515/2520/2525)

ID. No.	Part No.	Description	QTY
6	FHTA08C0	Bowl Mounting Flange	1
7	B8206015	Hex Socket Bolt M6 x 15	5
8	ZB5110AU	Spring Washer M6	5
9	FASA90E0	Cuspidor Top Cover	1
10	ZA7650#U	Screw M4 x 16	2
11	BF20400W	Flat Washer M4	2
12		Screw M4 x 20	2
13	FATA72B0	Vacuum Canister Bracket	1
14	FGTA27B0	Vacuum Canister Ass'y	1
15	FJTA20A0	Vinyl Plug (ID .9.5 x 9)	1
16	FASA91D0	Cuspidor Front Panel	1
17	FASA94A0	Vacuum Canister Cap	1
18	FJTA34A0	O-Ring (P-50)	1
19	5509	Vacuum Canister Basket (PINNACLE)	1
20	X-42270	Hose Clamp (18-25-0X)	2
21	V-1515G	Routing Selector Valve for Bottled H2O System	1
22	V-1511G	Needle Flow Control for H2O outlet Flow control	1
23	P-1075BLU	H2O Q.D., 1/4" Blue	1
24	P-1075YEL	Air Q.D., 1/4" yellow	1
25	FATA69E0	Bracket for Control Valves	1
26	AGFM03A0	Needle Valve Ass'y (for 2500, 2510, 2520, 2525 only)	2
27	FALC50A0	Washer (for 2500, 2510, 2520, 2525 only)	2
28	FALC49A0	Nut (for 2500, 2510, 2520, 2525 only)	2
29	FJLA14A0	Knob (for 2500, 2510, 2520, 2525 only)	2
30	FJLA15A0	Cap for Knob (Blue) (for 2500, 2510, 2520, 2525 only)	1
31	FJLA16A0	Cap for Knob (Yellow) (for 2500, 2510, 2520, 2525 only)	1
32	AXUP24A0	Pinch Valve Ass'y (for 2500, 2505, 2520, 2525 only)	2
33	FALC14A2	Washer (1/2) (for 2500, 2505, 2520, 2525 only)	2
34	DASR14B0	Nut (1/4) (for 2500, 2505, 2520, 2525 only)	2
35	C-1840T	Mini Pressure Gauge	1
36	ZB562QAU	M10 Washer	1
37	RF-1060	Hex Nut, 1/8" Fpt	1
38	C-1835	Mini-Air Regulator	1
39	FGTA28B0	Cuspidor Manifold (A) for BDS-2500	1
	FGTA29B0	Cuspidor Manifold (B) for BDS-2510	1
	FGTA30B0	Cuspidor Manifold (C) for BDS-2520/2580	1
	FHAA11B0	Cuspidor Manifold (D) for BDS-2505	1
	FHAA12B0	Cuspidor Manifold (E) for BDS-2515	1
	FHAA13B0	Cuspidor Manifold (F) for BDS-2525	1
40	ZA88JLWU	Screw M4 x 20	1
41	ZB511LAU	Spring Washer M4	1
42	ZA812LAU	Nut M4	1
43	FATA73B0	Water Bottle Bracket	1
44	R-C1804-1	Pressure Head Assembly	1
45		Bottle Mounting Screw	2
46	P-1811-1L	Water Bottle (1Liter)	1
47	FATA71J0	Cuspidor Post	1
48	ZA762Q4U	Hex Socket Bolt M10 x 50 (for BEL20)	1
		Hex Socket Bolt M10 x 100 (for AcuTrac)	1
49	ZA511QAU	Spring Washer M10	1
50	ZB562QAU	Flat Washer M10	1
51	ZA88JLPU	Screw M4 x 8	10
52	FGAA13B0	Manifold for Water Bottle	1
53	P-1875	1/16" Barb Tee	2
54	AXUP49B0	Cuspidor Side Cover	1
55	FGTA24B0	Thumb Screw M4 x 15	2
56	FGTA25A0	Umbilical Hose Ass'y	1
57	FGNA30A0	Umbilical Socket	1

7-2. PMU Section (BDS-2580)

※2010年6月以降生産していない。

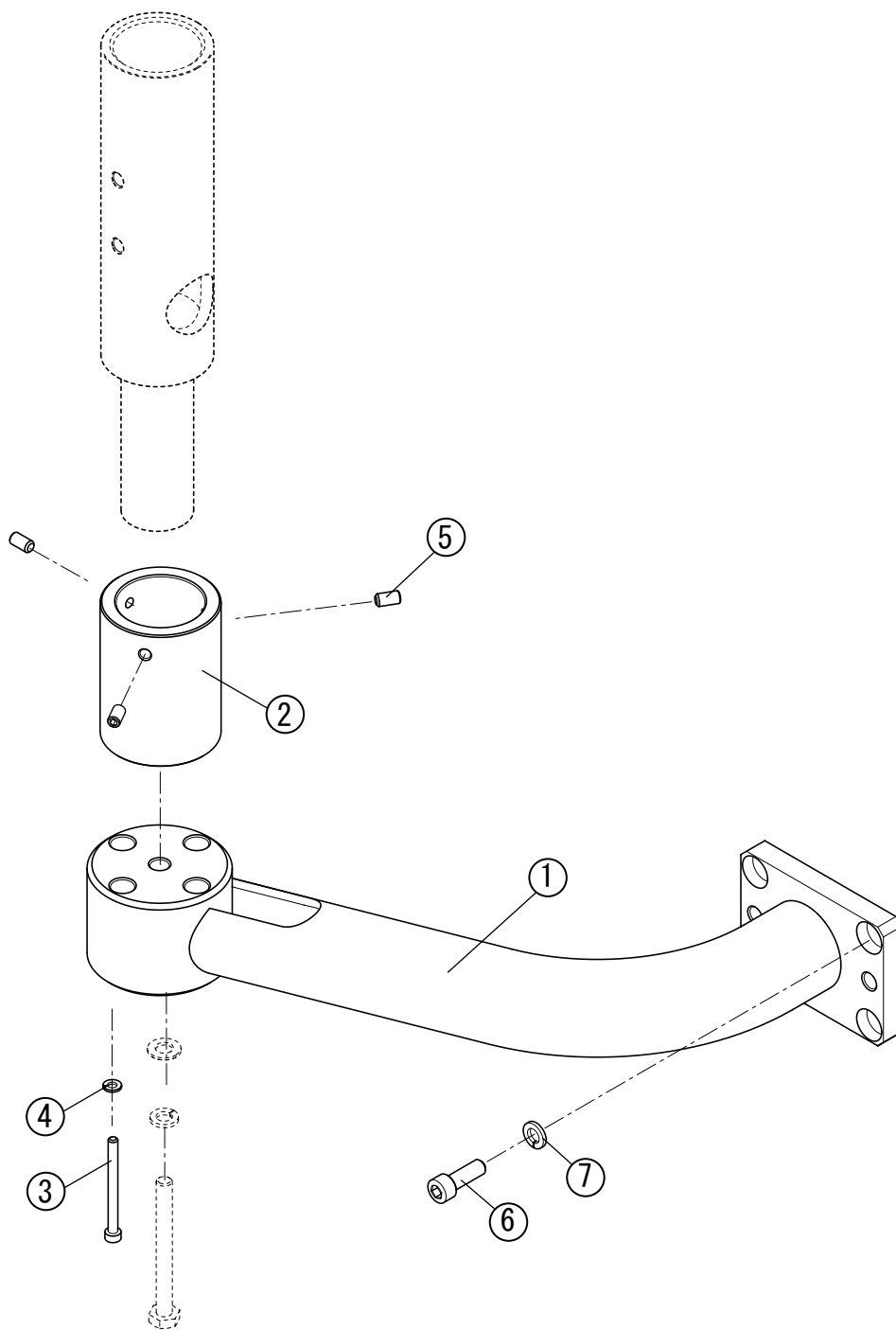


7-2. PMU Section (BDS-2580) ※2010年6月以降生産していない。

ID. No.	Parts No.	Description	QTY
1	FATA70H0	Cuspidor Chassis	1
2	FHDB22A0	Adapter for Cuspidor Swing Mount	1
3	FAAA50A0	Spacer	1
4	FJAA23A0	O-Ring (G-65)	1
5	FHTA08C0	Bowl Mounting Flange	1
6	ZA7650#U	Hex Socket Bolt M6 x 15	5
7	ZB5110AU	Spring Washer M6	5
8	FASA90D0	Cuspidor Top Cover	1
9		Screw M4 x 16	2
10	ZB562LAU	Flat Washer M4	2
11	ZA111LWU	Screw M4 x 20	2
12	FATA72B0	Vacuum Canister Bracket	1
13	FGTA27B0	Vacuum Canister Ass'y	1
14	FJTA20A0	Vinyl Plug (ID 9.5 x 9)	1
15	FASA91D0	Cuspidor Front Panel	1
16	FASA94A0	Vacuum Canister Cap	2
17	FJTA34A0	O-Ring (P-50)	1
18	5509	Vacuum Canister Basket (PINNACLE)	1
19	X-42270	Hose Clamp (18-25-OX)	2
20	V-1515G	Routing Selector Valve for Bottled H2O System	1
21	V-1511G	Needle Flow Control for H2O outlet Flow control	1
22	P-1075BLU	H2O Q.D., 1/4" Blue	1
23	P-1075YEL	Air Q.D., 1/4" yellow	1
24	FATA69D0	Bracket for Control Valves	1
25	AGFM03A0	Needle Valve Ass'y	2
26	FALC50A0	Washer	2
27	FALC49A0	Nut	2
28	FJLA14A0	Knob	2
29	FJLA15A0	Cap for Knob (Blue)	1
30	FJLA16A0	Cap for Knob (Yellow)	1
31	AXUP24A0	Pinch Valve Ass'y	2
32	FALC14A2	Washer (1/2)	2
33	DASR14B0	Nut (1/4)	2
34	C-1840T	Mini Pressure Gauge	1
35	ZB562QAU	M10 Washer	1
36	RF-1060	Hex Nut, 1/8" Fpt	1
37	C-1835	Mini-Air Regulator	1
38	FGTA30B0	Cuspidor Manifold (C) for BDS-2580	1
39	ZA88JLWU	Screw M4 x 20	1
40	ZB511LAU	Spring Washer M4	1
41	ZA812LAU	Nut M4	1
42	FATA73B0	Water Bottle Bracket	1
43	R-C1804-1	Pressure Head Assembly	1
44		Bottle Mounting Screw	2
45	P-1811-1L	Water Bottle (1Liter)	1
46	ZA88JLPU	Screw M4 x 8	14
47	FGAA13B0	Manifold for Water Bottle	1
48	P-1875	1/16" Barb Tee	2
49	AXUP49B0	Cuspidor Side Cover	1
50	FGTA24B0	Thumb Screw M4 x 15	2

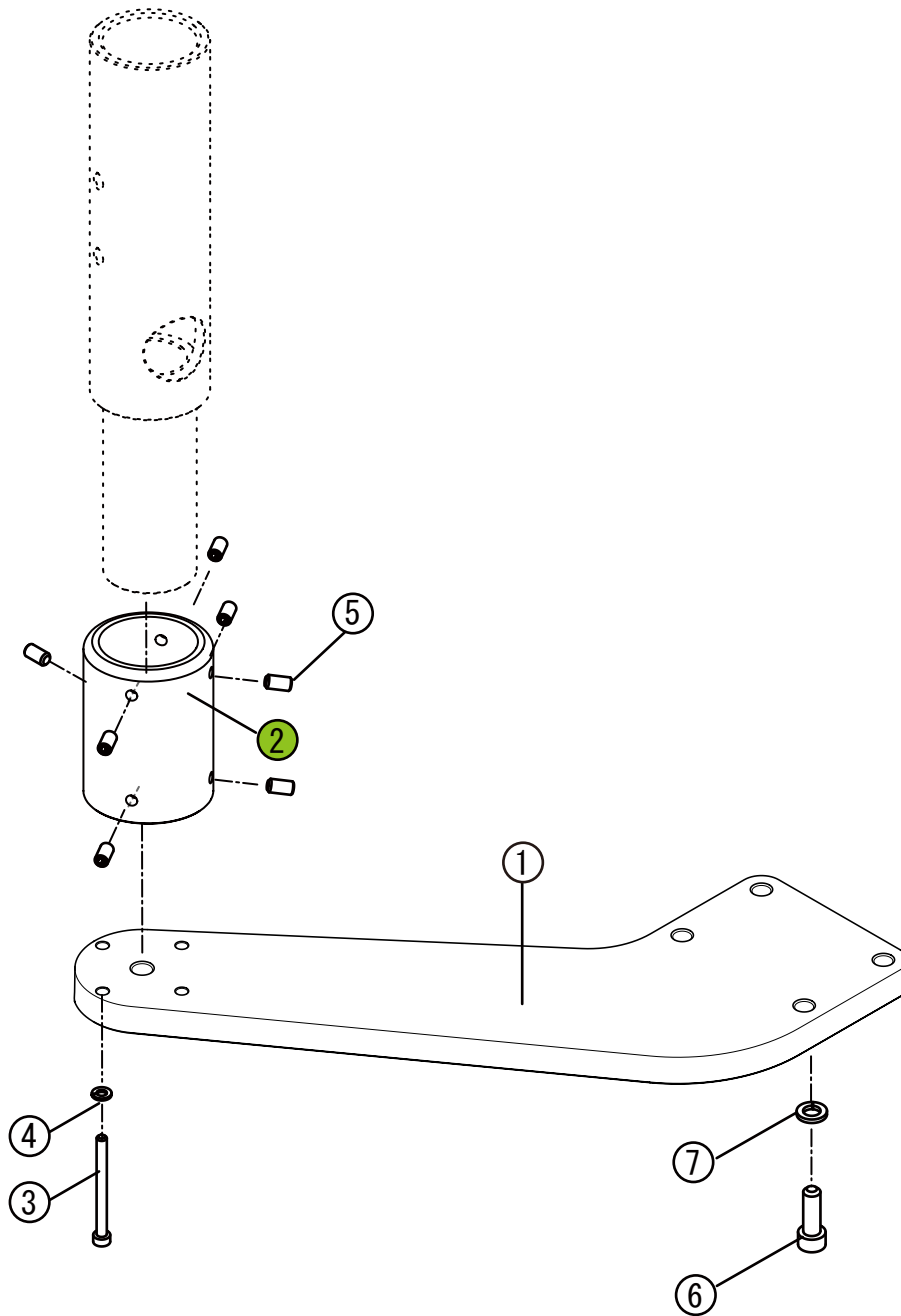
8. Mounting Bracket for AcuTrac Chair (BDS-2500/2505/2510/2515/2520/2525)

※2010年6月以降生産していない。



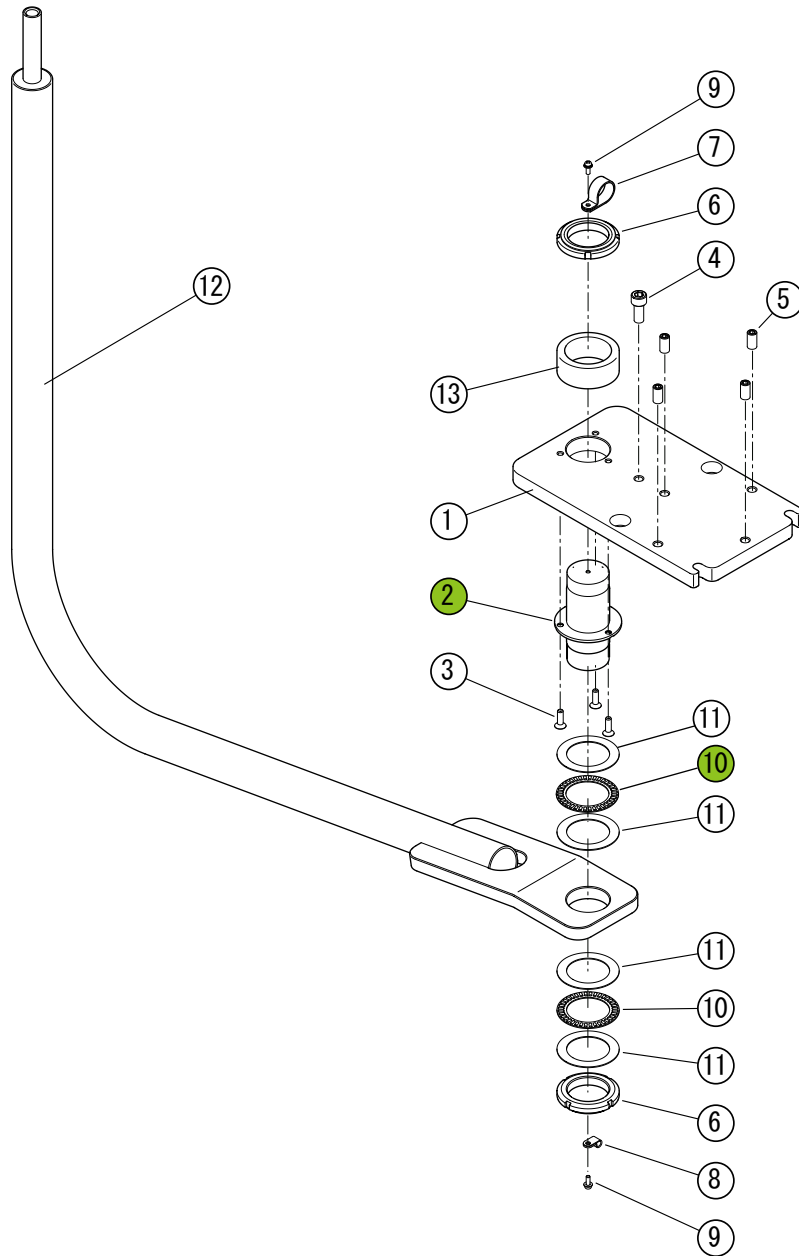
ID. No.	Parts No.	Description	QTY
1	FATA53B0	Mounting Bracket for Acutrack	1
2	FABA31D0	Mounting Bracket Adapter	1
3		Hex Socket Bolt M6 x 70	4
4	ZB5110AU	Spring Washer M6	4
5	ZA774P#U	Set Screw M8x15	3
6	ZA761QZU	Hex Socket Bolt M10 x 30	4
7	ZB511QAU	Spring Washer M10	4

9. Mounting Bracket for Bel-20 Chair (BDS-2500/2505/2510/2515/2520/2525)



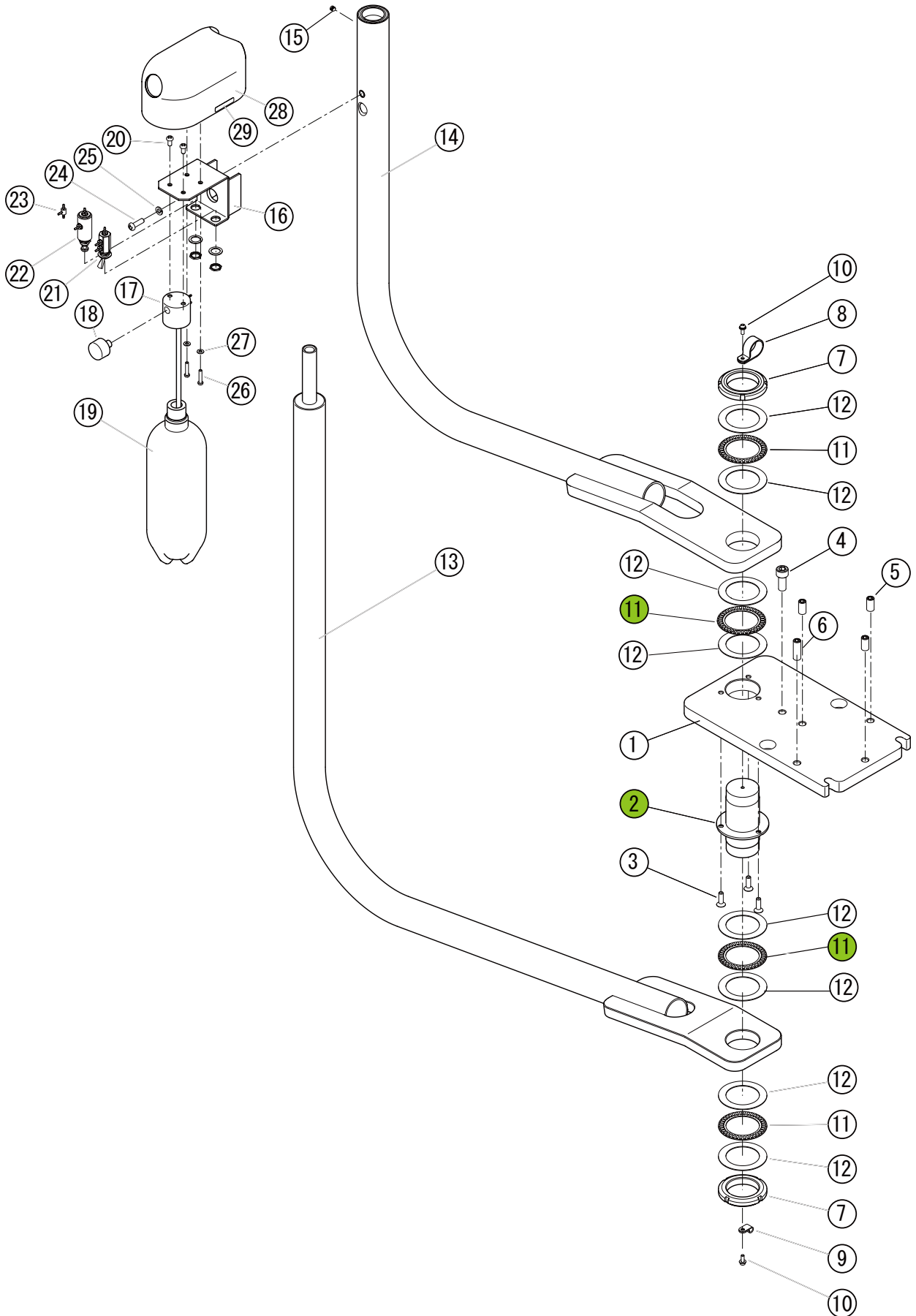
ID. No.	PartsNo.	Description	QTY
1	FATB01E0	Mounting Bracket for BEL-20	1
2	FABA31F0	Mounting Bracket Adapter	1
3	ZA76102U	Hex Socket Bolt M6 x 40	4
4	ZB5110AU	Spring Washer M6	4
5	ZA774P#U	Set Screw M8x15	8
6	ZA761Q1U	Hex Socket Bolt M10 x 35	4
7	ZB511QAU	Spring Washer M10	4

10. Swing Mount Arm Section for BDS-2530



ID. No.	Parts No.	Description	QTY
1	FATA86E0	Rotation Bracket	1
2	FATA89B0	Rotation Shaft	1
3	ZSA010WU	Flat Head Hex Socket Bolt M6 x 20	3
4	ZA761PVU	Hex Socket Bolt M10 x 18	1
5	ZA774QWU	Set Screw M10 x 20	4
6	FJTA26A0	Fine U-Nut (FU09SS)	2
7	FJRA53A0	Nylon Clamp SL-14N	1
8	FJMA68A0	Nylon Clamp (3304)	1
9	ZA88JLRU	Screw M4 x 10	2
10	FJNA55A0	Needle Bearing	2
11	FJNA56A0	Thrust Washer AS1109	4
12	1A00J4A0	Swing Mount Arm Ass'y F/Light	1
13	FATB13B0	Spacer F/Rotation Pole	1
1~9	FHBA76A0	Rotation Bracket Ass'y	1

11. Swing Mount Arm Section for BDS-2570

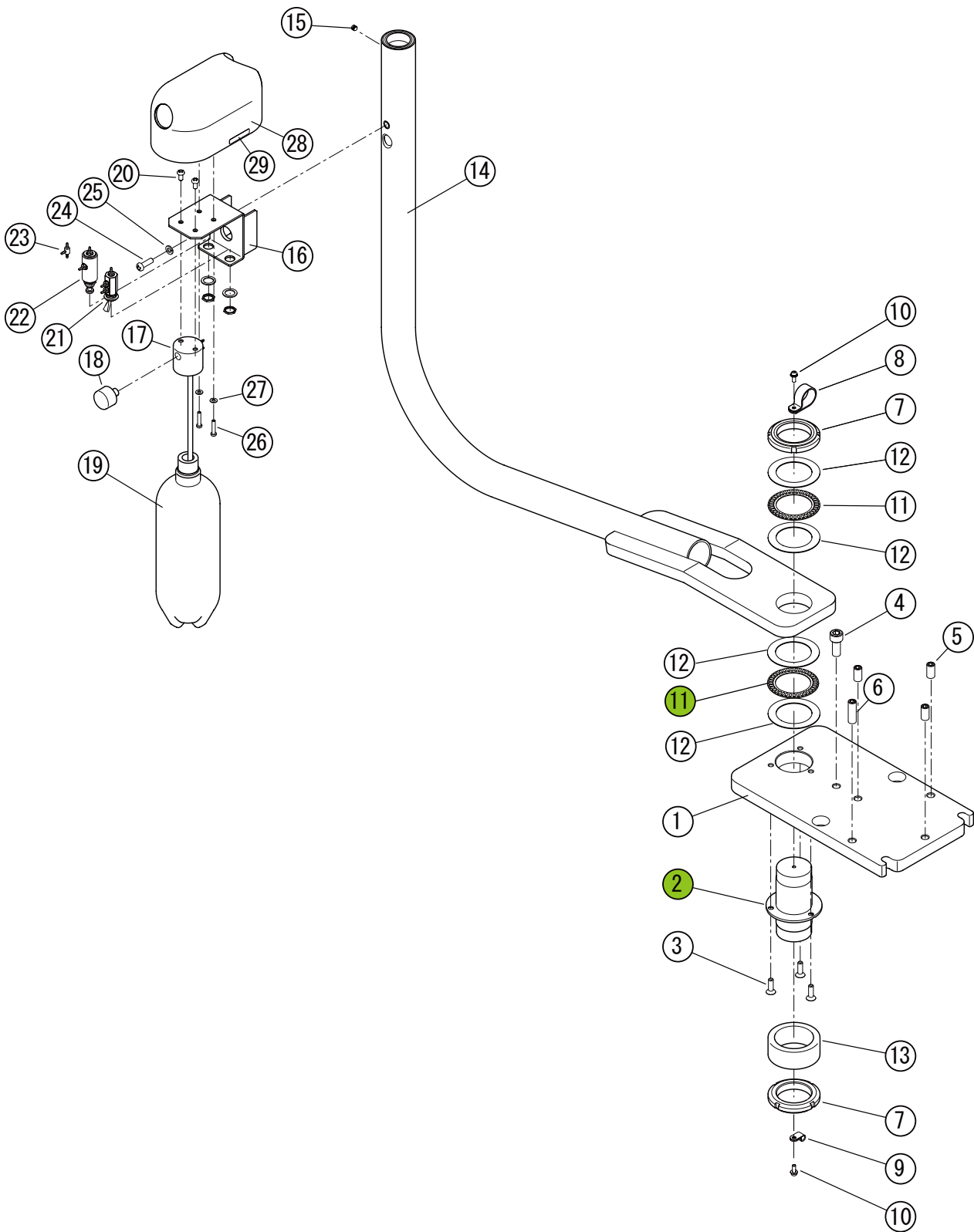


11. Swing Mount Arm Section for BDS-2570

ID. No.	PartsNo.	Description	QTY
1	FATA86EO	Rotation Bracket	1
2	FATA89BO	Rotation Shaft	1
3	ZSA01OWU	Flat Head Hex Socket Bolt M6 x 20	3
4	ZA761QVU	Hex Socket Bolt M10 x 18	1
5	ZA774QWU	Set Screw M10 x 20	3
6	ZA774Q1U	Set Screw M10 x 35	1
7	FJTA26AO	Fine U-Nut (FU09SS)	2
8	FJRA53AO	Nylon Clamp SL-14N	1
9	FJMA68AO	Nylon Clamp (3304)	1
10	ZA88JLRU	Screw M4 x 10	2
11	FJNA55AO	Needle Bearing	4
12	FJNA56AO	Thrust Washer AS1109	8
13	1A00J4AO	Swing Mount Arm Ass'y F/Light	1
14	1G004WB0	Swing Mount Arm Ass'y F/Del. Head	1
15	ZA7740LU	Set Screw M6 x 5	1
16	FATA97CO	Water Bottle Bracket	1
17	R-C1804-1D	Pressure Head Assembly	1
18	C-1840T	Mini Pressure Gauge	1
19	P-1811-1L	Water Bottle (1Liter)	1
20		Bottle Mounting Screw	1
21	V-1515G	Routing Selector Valve for Bottled H2O System	1
22	C-1835	Mini-Air Regulator	1
23	P-1875	1/16" Barb Tee	1
24	ZA1110WU	Screw M6 x 20	1
25	ZB5110AU	Spring Washer M6	1
26		Screw M4 x 16	2
27	ZB511LAU	Flat Washer M4	2
28	FATA96BO	Water Bottle Cover	1
29	FATB46AO	Label (City/Bottle)	1

1~9	FHBA76AO	Rotation Bracket Ass'y	1
16~29	FHBA77AO	Water Bottle Ass'y	1

12. Swing Mount Arm Section for BDS-2575

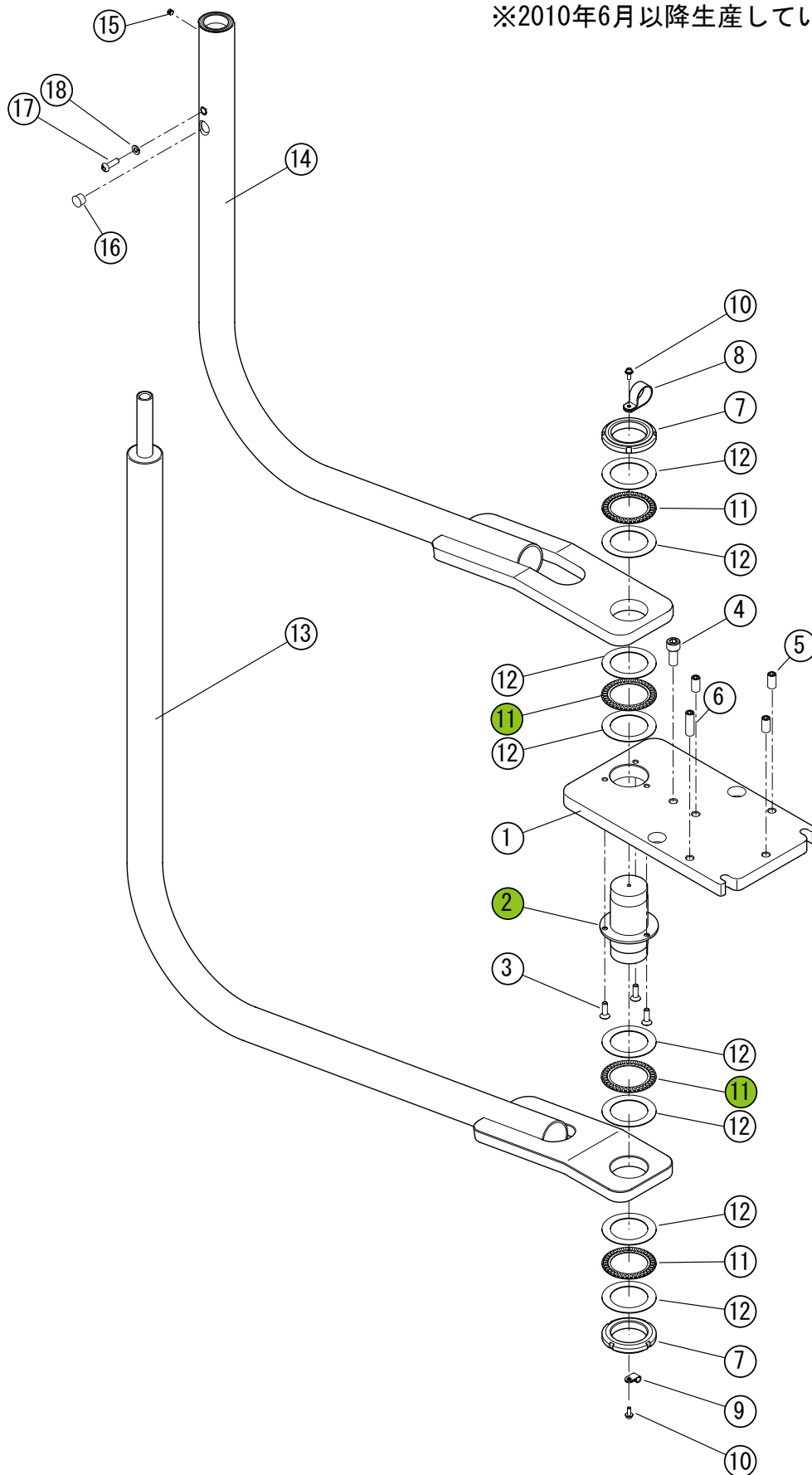


12. Swing Mount Arm Section for BDS-2575

ID. No.	PartsNo.	Description	QTY
1	FATA86E0	Rotation Bracket	1
2	FATA89B0	Rotation Shaft	1
3	ZSA010WU	Flat Head Hex Socket Bolt M6 x 20	3
4	ZA761QVU	Hex Socket Bolt M10 x 18	1
5	ZA771QWU	Set Screw M10 x 20	3
6	ZA774Q1U	Set Screw M10 x 35	1
7	FJTA26A0	Fine U-Nut (FU09SS)	2
8	FJRA53A0	Nylon Clamp SL-14N	1
9	FJMA68A0	Nylon Clamp (3304)	1
10	ZA88JLRU	Screw M4 x 10	2
11	FJNA55A0	Needle Bearing	2
12	FJNA56A0	Thrust Washer AS1109	4
13	FATB13B0	Spacer F/Rotation Pole	1
14	1G004WBO	Swing Mount Arm Ass'y F/Del. Head	1
15	ZA7740LU	Set Screw M6 x 5	1
16	FATA97C0	Water Bottle Bracket	1
17	R-C1804-1D	Pressure Head Assembly	1
18	C-1840T	Mini Pressure Gauge	1
19	P-1811-1L	Water Bottle (1Liter)	1
20		Bottle Mounting Screw	2
21	V-1515G	Routing Selector Valve for Bottled H2O System	1
22	C-1835	Mini-Air Regulator	1
23	P-1875	1/16" Barb Tee	1
24	ZA7610WU	Screw M6 x 20	1
25	ZB5110AU	Spring Washer M6	1
26		Screw M4 x 16	2
27	ZB562LAU	Flat Washer M4	2
28	FATA96B0	Water Bottle Cover	1
29	FATB46A0	Label (City/Bottle)	1
1~10	FHBA76A0	Rotation Bracket Ass'y	1
16~29	FHBA77A0	Water Bottle Ass'y	1

13. Swing Mount Arm Section for BDS-2580

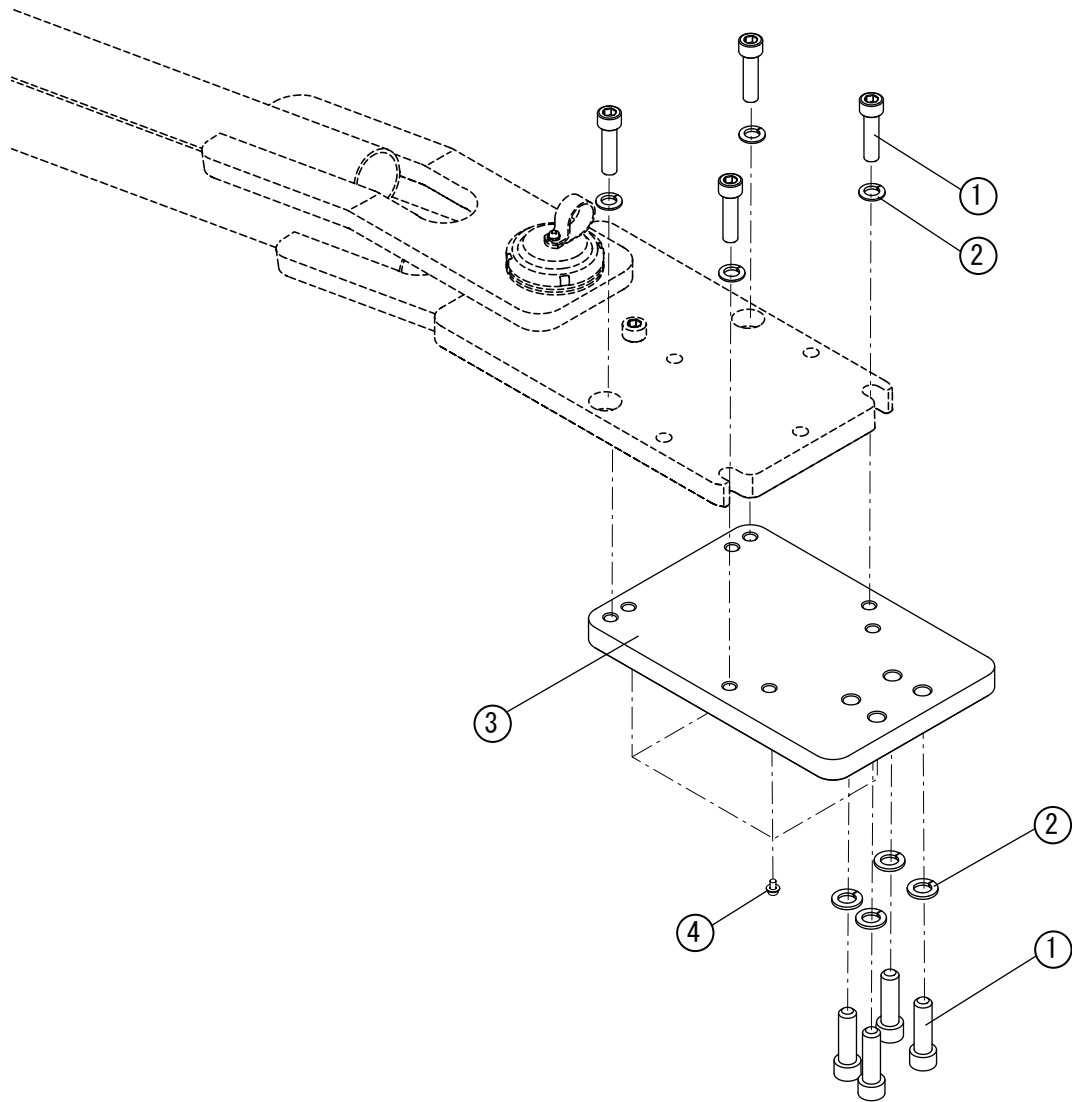
※2010年6月以降生産していない。



13. Swing Mount Arm Section for BDS-2580 ※2010年6月以降生産していない。

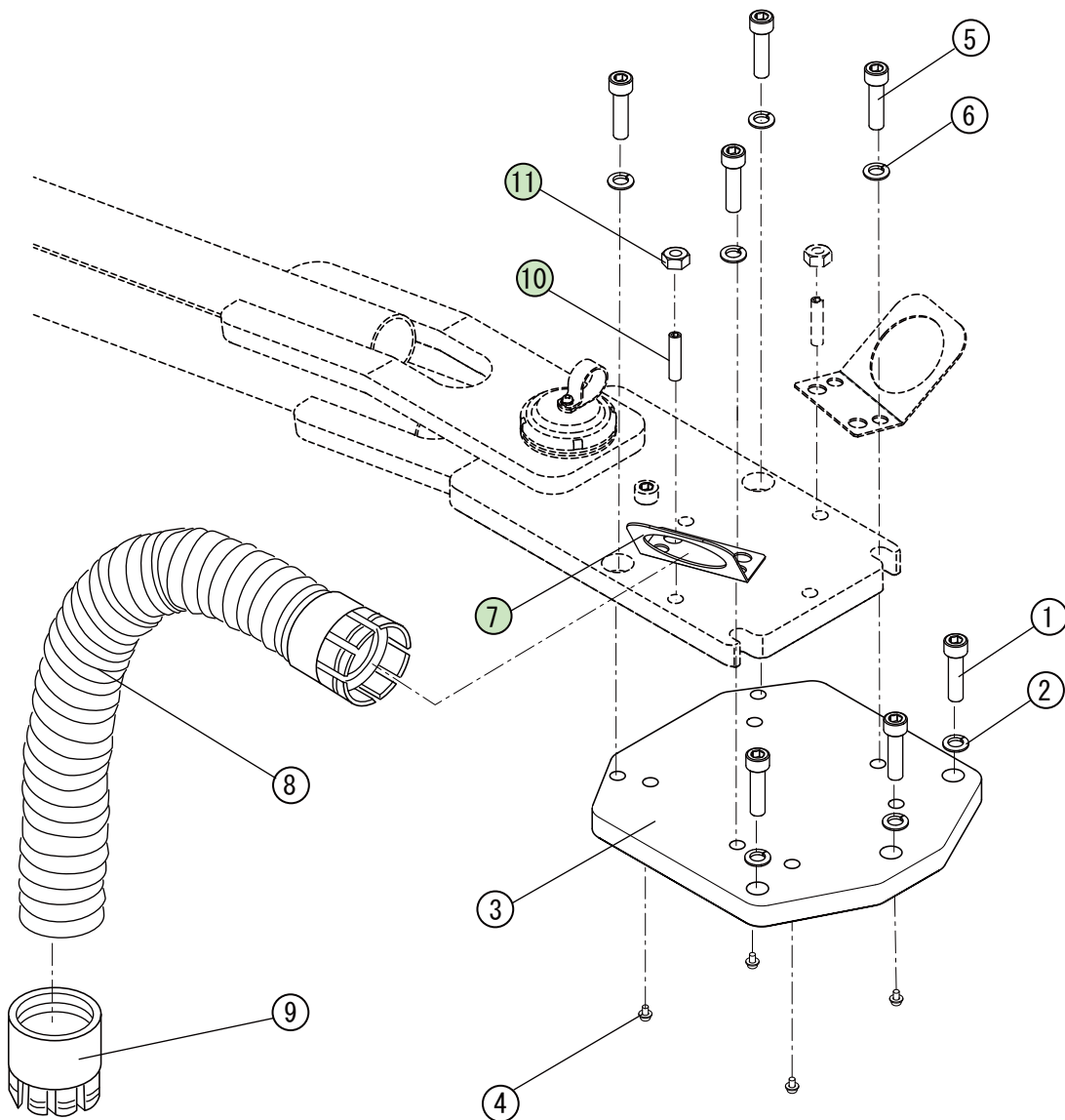
ID. No.	PartsNo.	Description	QTY
1	FATA86E0	Rotation Bracket	1
2	FATA89B0	Rotation Shaft	1
3	ZSA010WU	Flat Head Hex Socket Bolt M6 x 20	3
4	ZA761QVU	Hex Socket Bolt M10 x 18	1
5	ZA771QWU	Set Screw M10 x 20	3
6	ZA774Q1U	Set Screw M10 x 35	1
7	FJTA26A0	Fine U-Nut (FU09SS)	2
8	FJRA53A0	Nylon Clamp SL-14N	1
9	FJMA68A0	Nylon Clamp (3304)	1
10	ZA88JLRU	Screw M4 x 10	2
11	FJNA55A0	Needle Bearing	4
12	FJNA56A0	Thrust Washer AS1109	8
13	1A00J4A0	Swing Mount Arm Ass'y F/Light	1
14	1G004WB0	Swing Mount Arm Ass'y F/Del. Head	1
15	ZA7740LU	Set Screw M6 x 5	1
16	FELA21A0	Hole Plug DP-562W	1
17	ZA1110WU	Screw M6 x 20	1
18	ZB5110AU	Spring Washer M6	1
1~10	FHBA76A0	Rotation Bracket Ass'y	1

14. Mounting Plate for AcuTrac Chair (BDS-2530/2570/2575/2580/2590)



ID. No.	PartsNo.	Description	QTY
1	ZA761Q2U	Hex Socket Bolt M10 x 40	8
2	ZB511QAU	Spring Washer M10	8
3	FATA87A0	Swing Mounting Bracket	1
4	ZA88MLRU	Screw M4 x 10	4

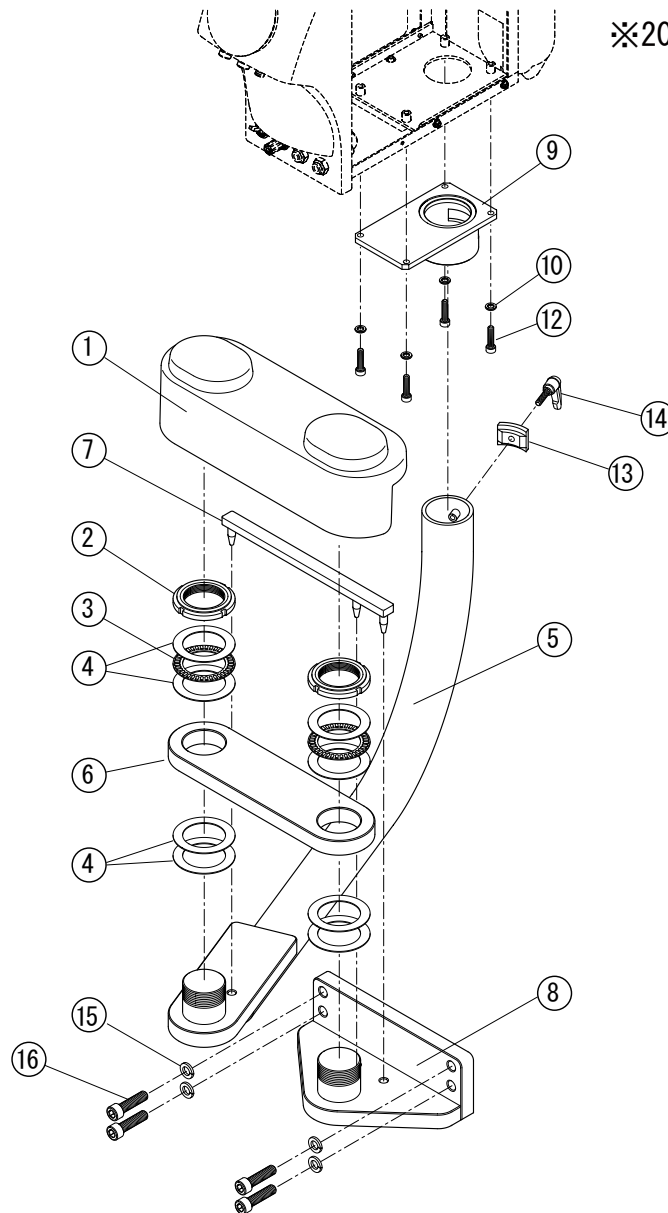
15. Mounting Plate for Bel-20 Chair (BDS-2530/2570/2575/2580/2590)



ID. No.	PartsNo.	Description	QTY
1	ZA761R2U	Hex Socket Bolt M12 x 40	3
2	ZB511RAU	Spring Washer M12	3
3	FATB38CO	Mounting Plate for Bel-20 Chair	1
4	ZA88MLRU	Screw M4 x 10	4
5	ZA761Q2U	Hex Socket Bolt M10 x 40	4
6	ZB511QAU	Spring Washer M10	4
7	FATB45E0	Bracket for Umbilical Hose	1
8	FGTA25A0	Umbilical Hose Ass'y	1
9	FGNA30A0	Umbilical Socket	1
10	ZA812QAU	Nut M10	1
11	ZA774Q1U	Set Screw M10 x 35	1

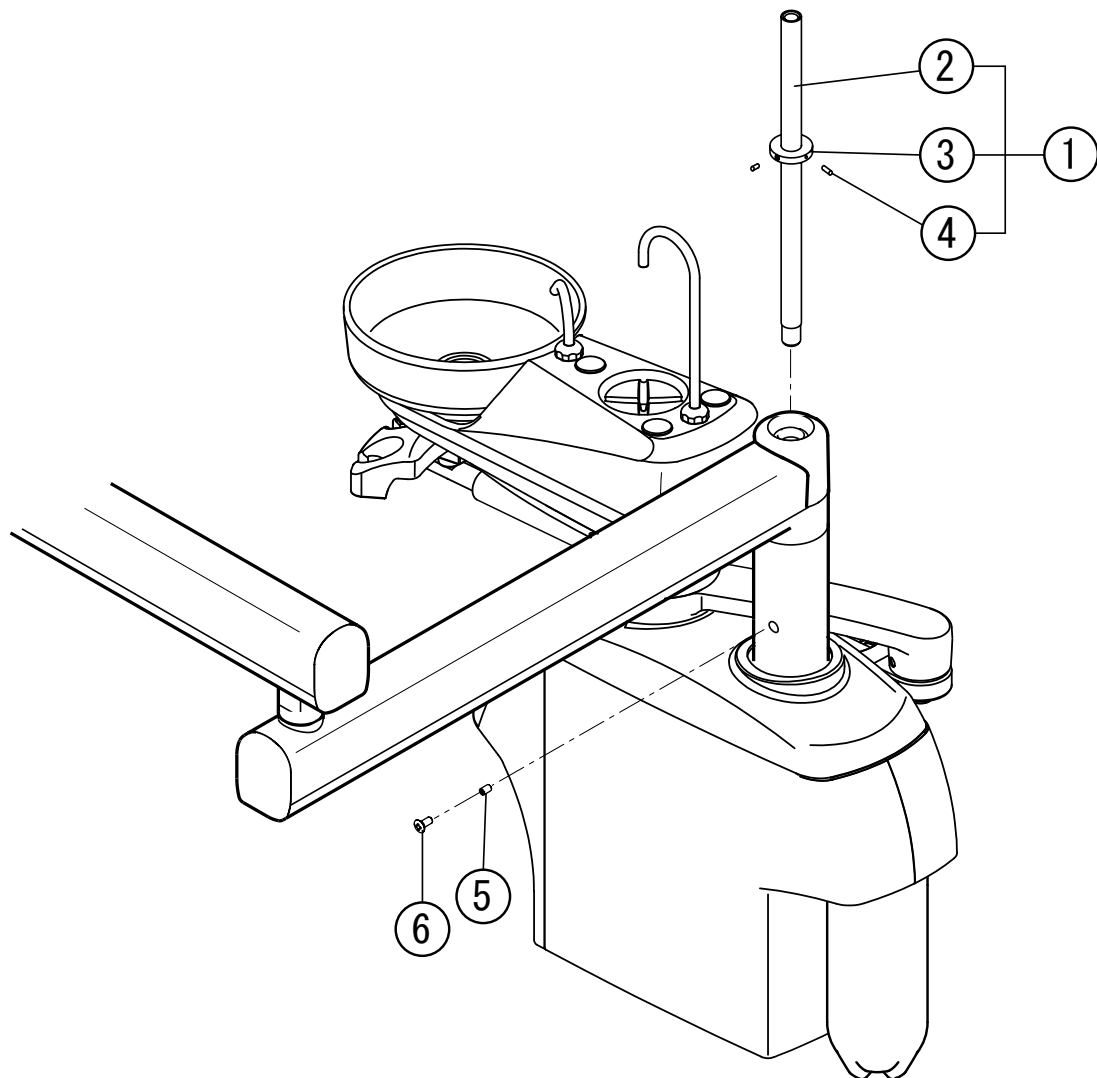
16. Cuspidor Swing Arm Section for BDS-2580

※2010年6月以降生産していない。



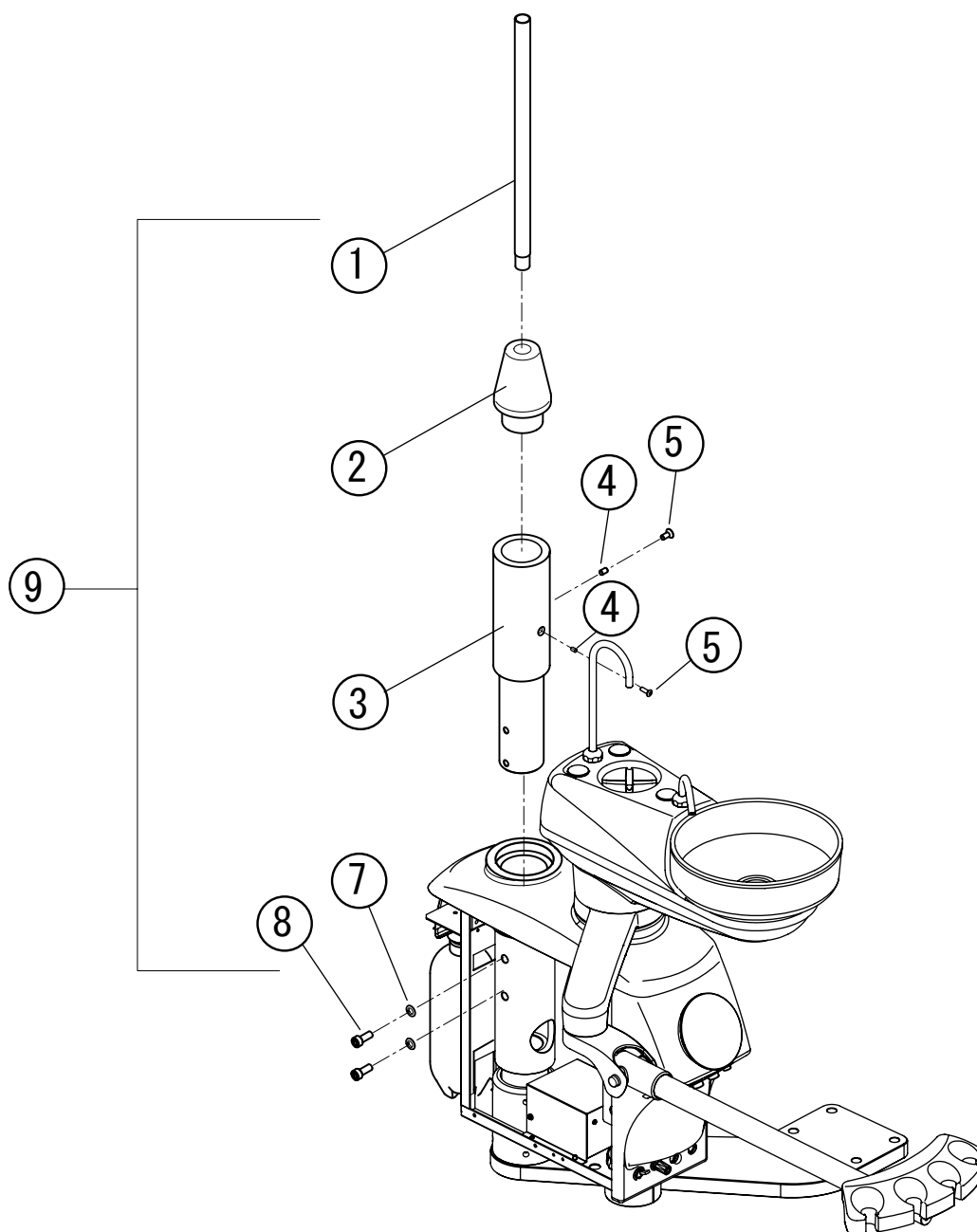
ID. No.	PartsNo.	Description	QTY
1	FATA22C0	Cuspidor Swing Arm Cover	1
2	FJTA26A0	Fine U-Nut (FU09SS)	2
3	FJNA55A0	Needle Bearing	2
4	FJNA56A0	Thrust Washer AS1109	8
5	FHTA17A0	Cuspidor Mounting Post Ass'y	1
6	FATA31C0	Rotation Bracket	1
7	FGTA04A0	Stopper Pins	1
8	FATA19C0	Cuspidor Swing Arm Bracket	1
9	FATB17D0	Cuspidor Mounting Bracket	1
10	ZB5110AU	Spring Washer M6	4
11			
12	ZA7610YU	Hex Socket Bolt M6 x 25	4
13	FATA74C0	Cuspidor Rotation Stopper	1
14	FJAA15A0	Stopper Lever	1
15	ZB551QAU	Spring Washer M10	4
16	ZA761Q2U	Hex Socket Bolt M10 x 40	4

17. Light Pole Ass'y for Mounting BDS-2535 onto BDS-2500/2505/2510/2515



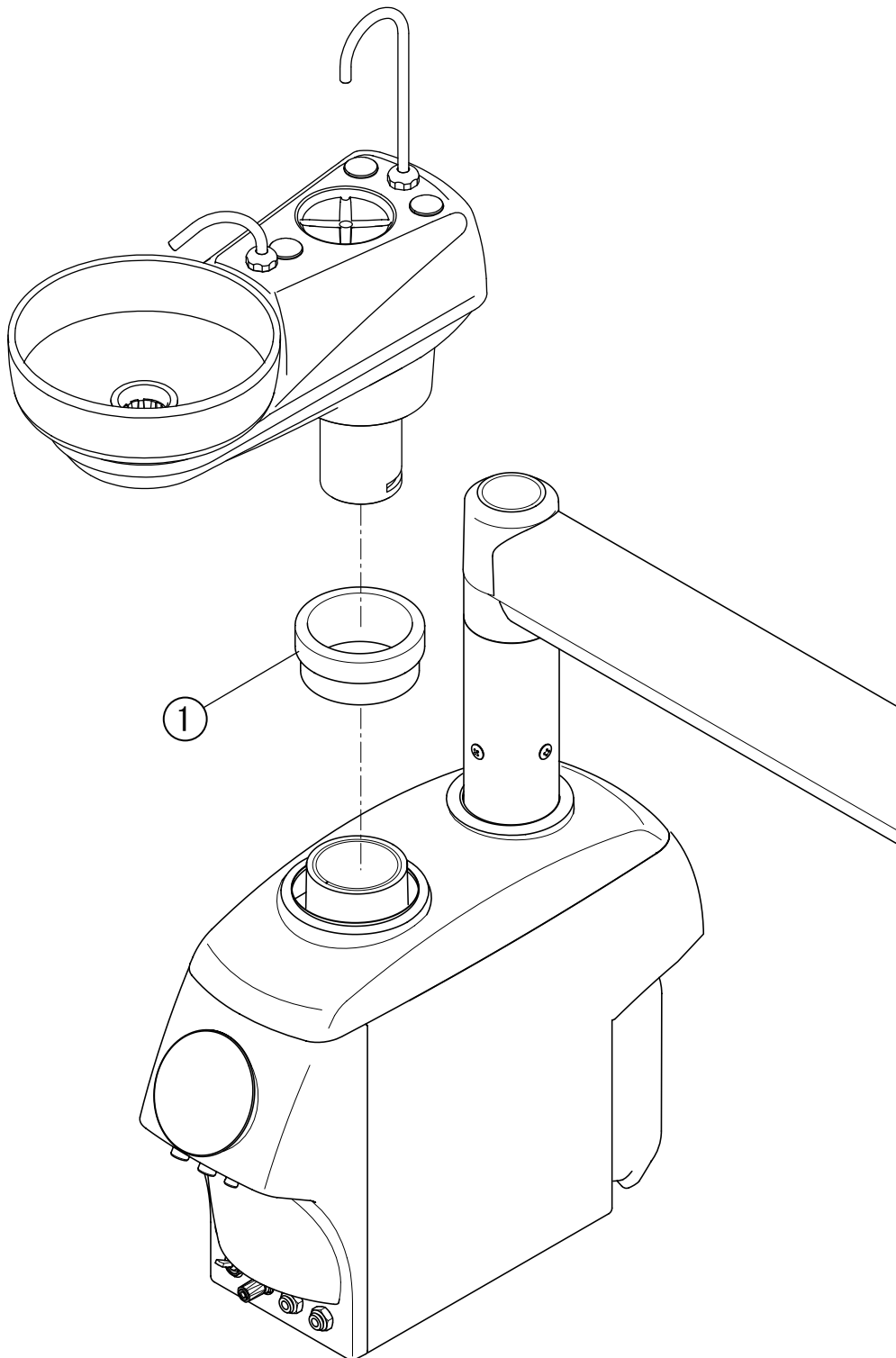
ID No.	Parts No.	Description	QTY	部品名
1	FHTA18A0	Support Pipe w/Flange	1	ライトポール受けパイプ
2	1A0ACJA0	Support Pipe	1	L型ライトポール受けパイプ
3	FATB26A0	Ligth Pole Axis Spacer	1	ライトポール回転軸カラー R適合品
4	ZA774LLU	Set Screw M4 x 5	2	六角穴付止めネジ M4×5クボミ SUS
5	ZA772ORU	Set Screw M6 x 10	1	HS トガリ M6×10 SUS
6	ZA113TSU	Screw M6 x 14	1	丸皿小ネジ M6×14 SUS

18. Light Pole Ass'y for Mounting BDS-2535 onto BDS-2520/2525



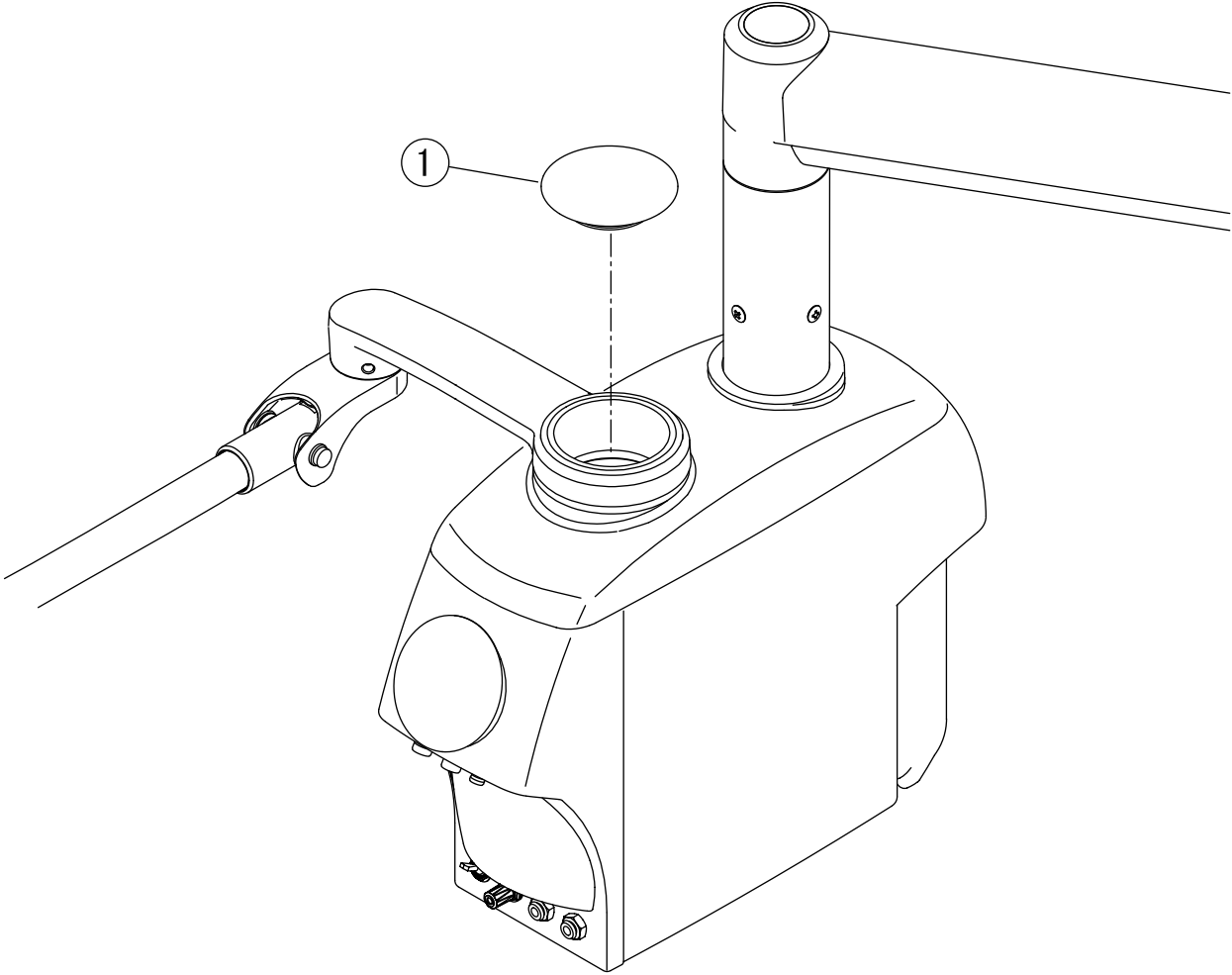
ID. No.	Parts No.	Description	QTY
1	1A0ACJA0	Support Pipe	1
2	FATA90B0	Light Pole Spacer	1
3	AXUP59A0	Rotation Adapter Ass'y	1
4	ZA7720RU	Set Screw M6 x 10	2
5	ZA113TSU	Screw M6 x 14	2
6	ZA113TWU	Screw M6 x 20	1
7	ZB511PAU	Spring Washer M8	2
8	ZA761PWU	Hex Socket Bolt M8 x 20	2
9	FHAA03B0	Adapter for Light Ass'y (ID# 1~8)	1

19. PMU Section for BDS-2505
(W/O Assistant Instrument Section)



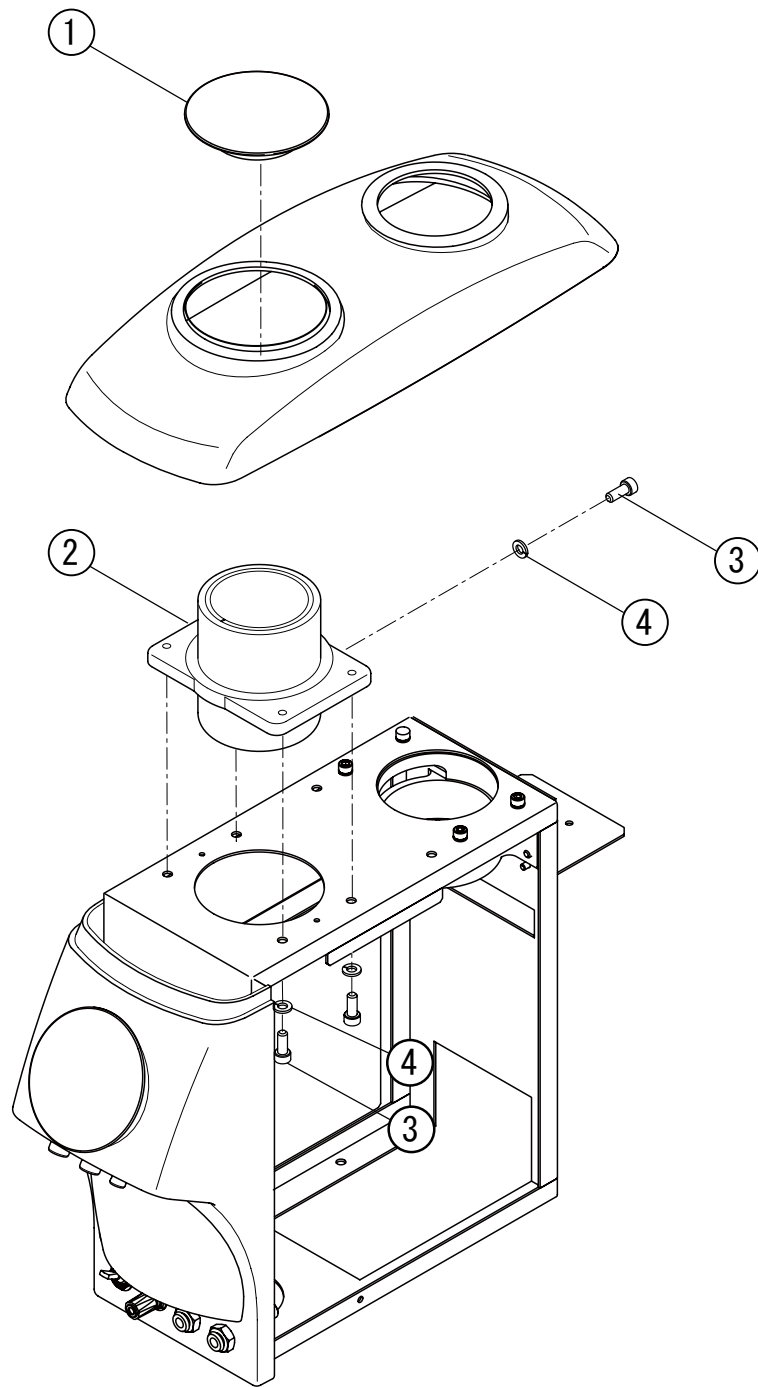
ID. No.	Parts No.	Description	QTY
1	FATB30D0	Assistant Arm Spacer	1

20. PMU Section for BDS-2510 (W/O Cuspidor top Section)



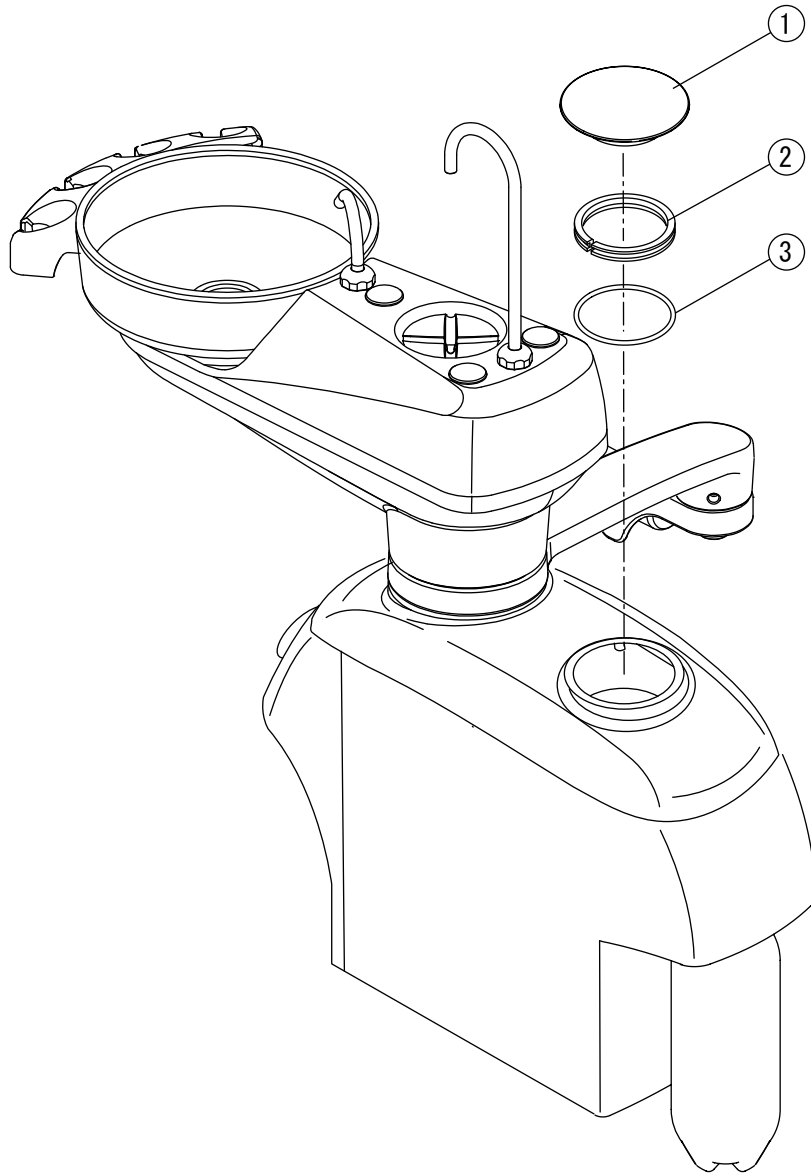
ID. No.	PartsNo.	Description	QTY
1	FASA94A0	Cuspidor Top Cover Cap	1

21. PMU Section for BDS-2515 (W/O Cuspidor top Section)



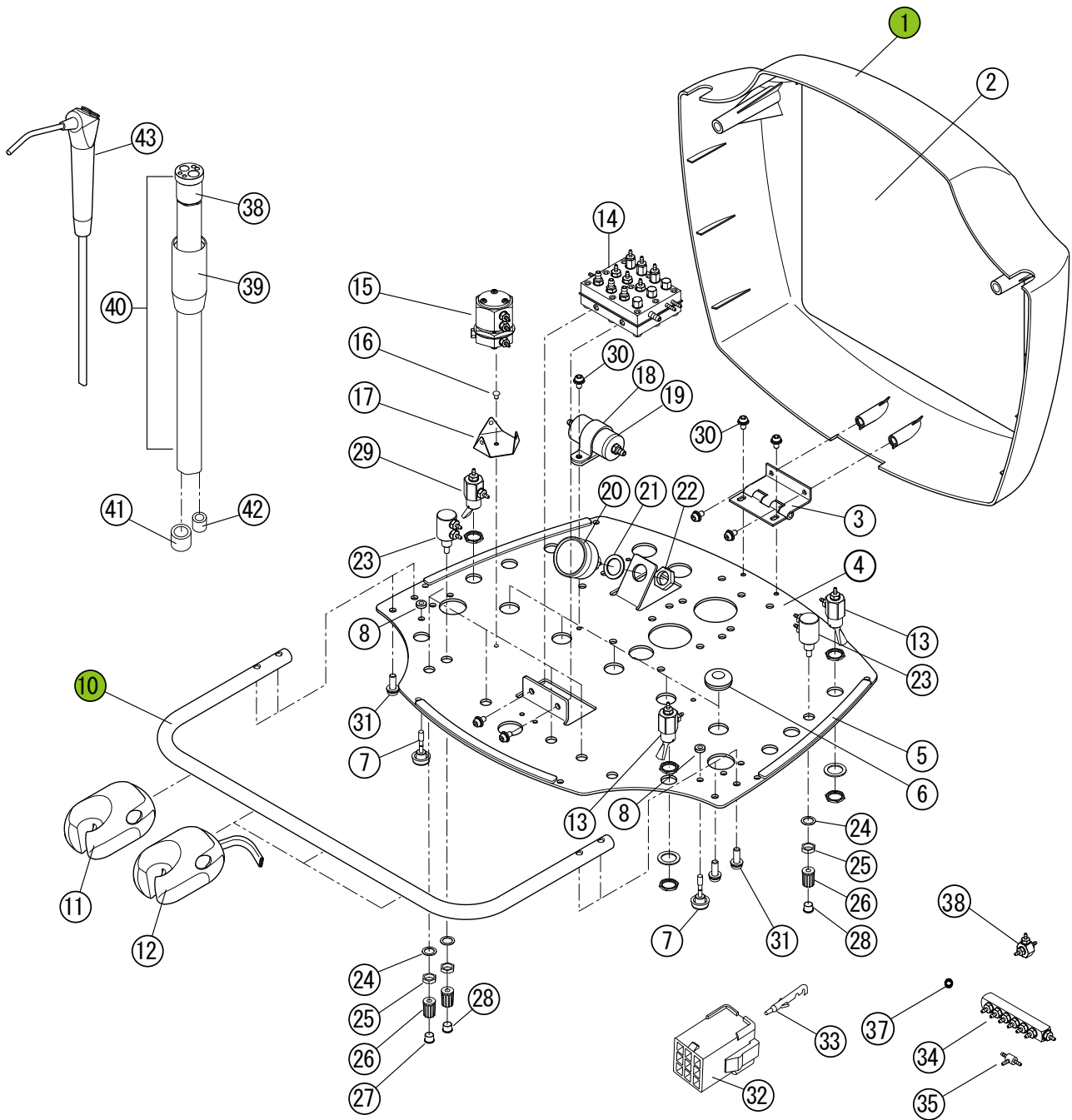
ID. No.	PartsNo.	Description	QTY
1	FASA94A0	Cuspidor Top Cover Cap	1
2	FHTA08C0	Bowl Mounting Flange	1
3	ZA7610#U	Hex Socket Bolt M6 x 15	5
4	ZB511QAU	Spring Washer M6	5

22. PMU Section for BDS-2520/2525 (W/O Horizontal Arm Section)



ID. No.	PartsNo.	Description	QTY
1	FASA94A0	PMU Cap	1
2	FAAA50A0	Spacer	1
3	FJAA23A0	O-Ring G-65	1

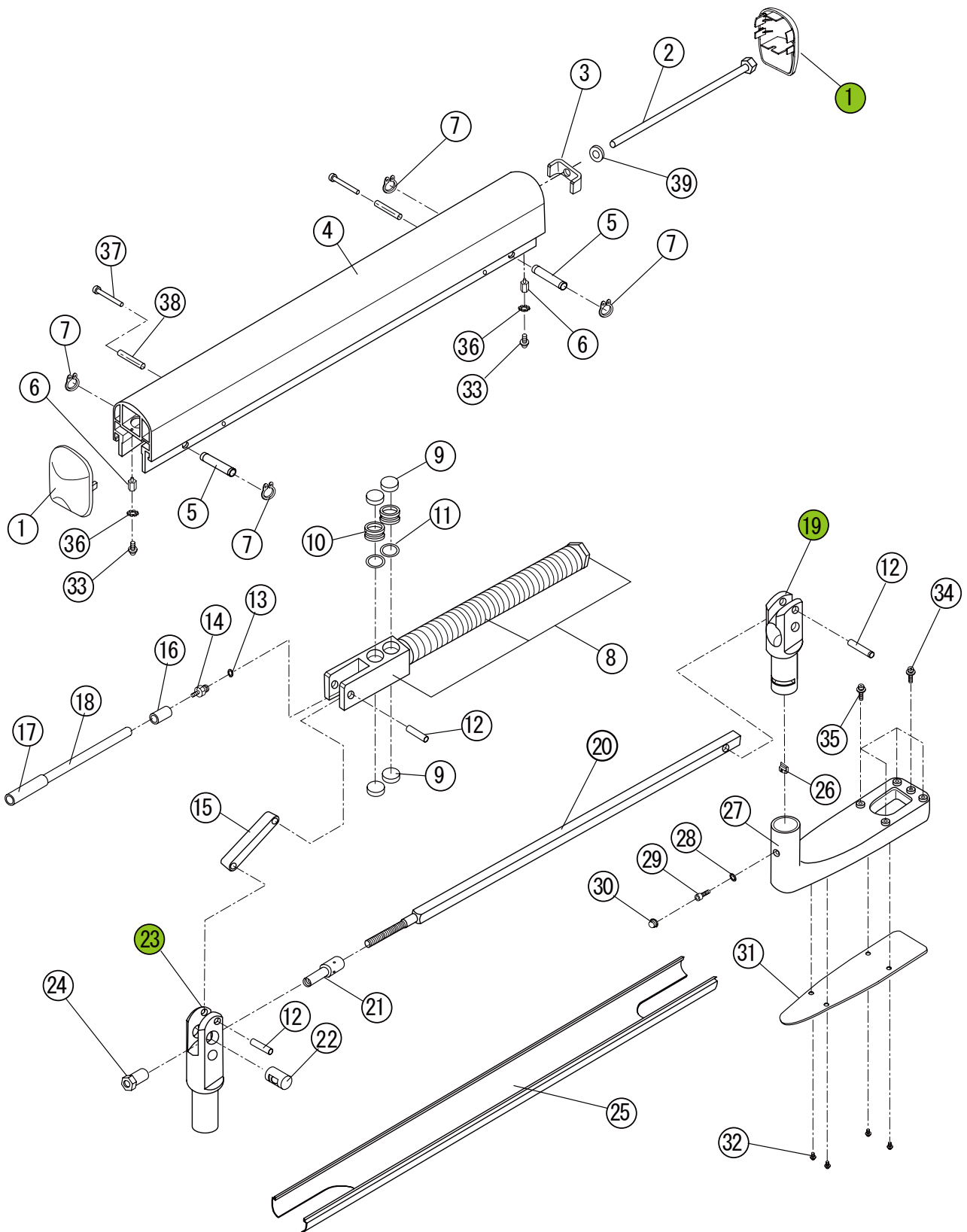
23. Doctor Table Section for BDS-2555



23. Doctor Table Section for BDS-2555

ID. No.	Parts No.	Description	QTY
1	FATA02E0	Dr. Table Cover	1
2	FATB25E0	Label for Flow Diagram	1
3	FATA03D0	Hinge	1
4	FATA58F0	Dr. Table Chassis	1
5	FATA65A0	Cushion Rubber	3
6	FJTA05A0	Grommet 8-10-2	5
7	FJAA26A0	Knob Fasteners	2
8	FABA62A0	Nut	2
9			
10	FATB54C0	Holder Bar	1
11	#4566	Asepsis Standard Holder	1
12	#4561	Asepsis Holder Assembly	3
13	V-1506-3	Toggle Valve, 3W on/off. for Master Shut-off	2
14	FGTA09C0	Auto-select Valve Ass'y	1
15	FHBA78A0	Pull Back Valve Ass'y	1
16	FJMA02A0	Push Rivet (P3045W)	1
17	FALD30A0	Pull Back Valve Bracket	1
18	FJRA53A0	Nylon Clamp SL-14N	1
19	AGFM02A0	Inline Filter Ass'y	1
20	FHTA03B0	Pressure Gauge Ass'y	1
21	FALC14A0	Washer (1/2)	1
22	FALC15A0	Nut (1/4)	1
23	AGFM03A0	Needle Valve Ass'y	6
24	FALC50A0	Washer	6
25	FALC49A0	Nut	6
26	FJLA14A0	Knob	6
27	FJLA15A0	Cap for Knob (Blue)	4
28	FJLA16A0	Cap for Knob (Yellow)	2
29	V-1507-3G	Momentary Toggle Valve, 3W, N.C. for HP FLUSH OUT	1
30	ZA88JLPU	Screw M4 x 8	5
31	ZA88JNWU	Screw M5 x 20	4
32	FJLA07A0	Mate -N- Lock Connector (9P)	1
33	FJLA08A0	Terminal Pin	9
34	FGTA10B0	Air Manifold Ass'y (8P)	1
35	P-1875	1/16" Barb Tee	5
36			
37	FJNA26A0	S ϕ 3.95 Filter	1
38	FGMA79A0	Shuttle Valve Ass'y	1
39			
40	432T	HANDPIECE TUBING ASSY	3
41			3
42			6
43	#3439	Contour Syringe w/Tubing	1

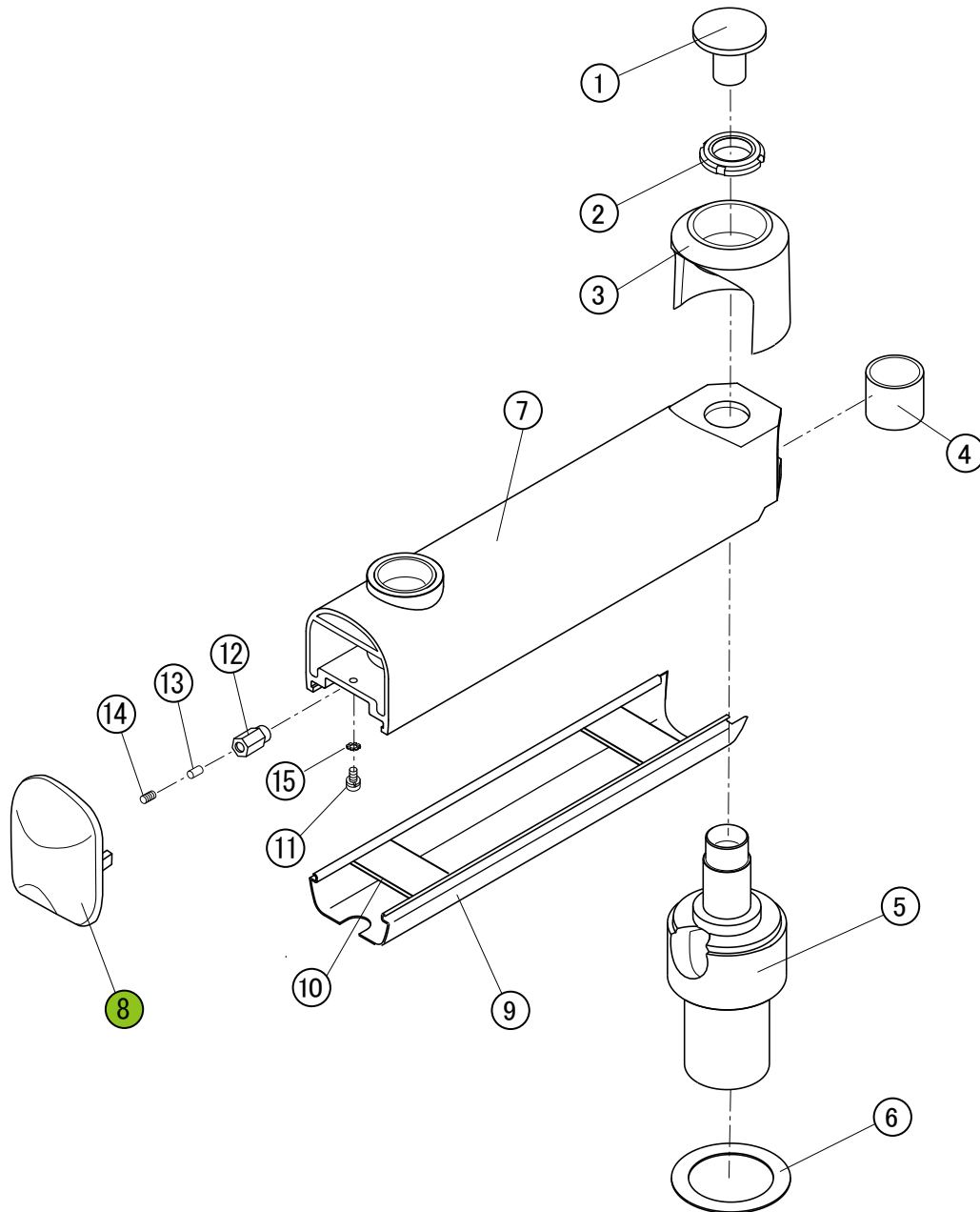
24. Balance Arm Section for BDS-2555



24. Balance Arm Section for BDS-2555

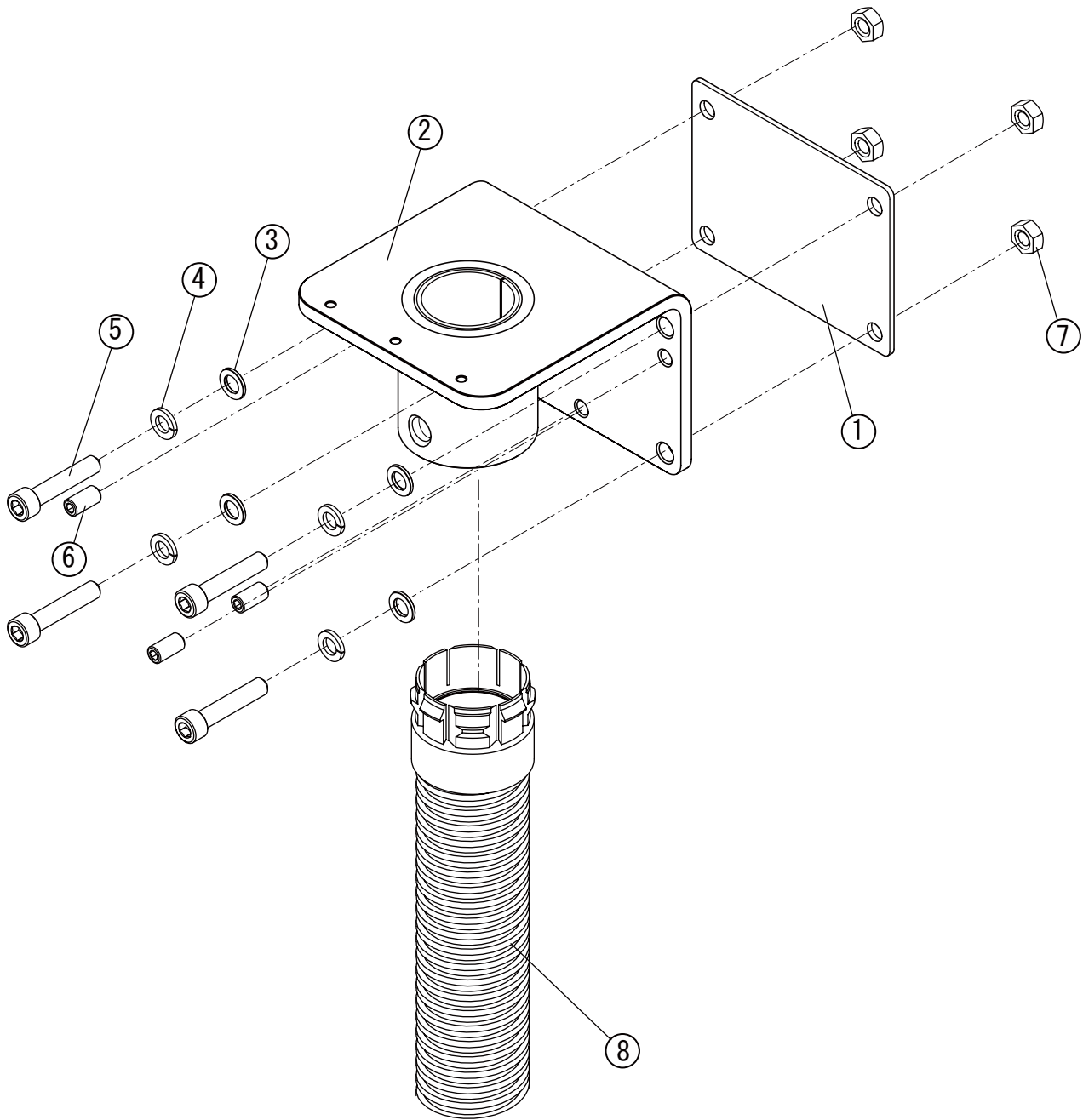
ID. No.	Part No.	Description	QTY
1	1A0AJ9A0	Arm End Cap	2
2	FATA39B0	Spring Adjusting Bolt	1
3	FATA38B0	Bolt Support	1
4	FATB51B0	Balance Arm Frame	1
5	FATA48A0	Hinge Pin _10	2
6	FATA50A0	End Cap Support	2
7	FJTA07A0	C-Clip	4
8	FHAA04A0	Spring Ass'y	1
9	AADS75A0	Brake Shoe	4
10	FATA42A0	Piston	2
11	FJMA96A0	O-Ring (P-21)	2
12	FATA47A0	Hinge Pin _8	3
13	AAES67A0	Nylon Washer, 10-32 (seal)	1
14	AAES68A0	1/16" x 10-32 barb (plated)	1
15	FATA43A0	Brake Lock Lever	1
16	P-1061-1	1/8" Tubing Collars	1
17	FJMC21A0	Insulation Tube (Grey)	1
18	1A-013-10	1/8" O.D. x .066 I.D. 85A CLEAR TUBING	1
19	1G03X8A0	Support Joint (Front) Ass' y	1
20	FATB53B0	Tension Adjust Rod	1
21	FATA44A0	Tension Adjust Nut	1
22	FATA46B0	Tension Adjust Hinge	1
23	1G03X7A0	Support Joint (Rear) Ass' y	1
24	FATA45B0	Lock Nut	1
25	FATB52A0	Balance Arm Bottom Cover	1
26	FATA05A0	Rotation Stopper	1
27	FATA14B0	Table Bracket	1
28	ZB551NAU	Teeth Washer M5	1
29	ZA761NSU	Hex Socket Bolt M5 x 12	1
30	FJLA59A0	Protection Cap (SW8-2-G6)	1
31	FATA62A0	Bracket Cover	1
32	ZA88JLNU	Screw M4 x 6	4
33	ZA88JLRU	Screw M4 x 10	2
34	ZA88JLPU	Screw M4 x 8	1
35	ZA88JN#U	Screw M5 x 15	4
36	ZB552LAY	Tooth Lock Washer M4	2
37	ZA111L3Y	Screw M4 x 45	3
38	AEFV59A0	Nylon Sleeve 4 x 6 x 32L	3
39	1E00BKA0	Washer 10 x 22 x 1	1

25. Horizontal Arm Section for BDS-2555



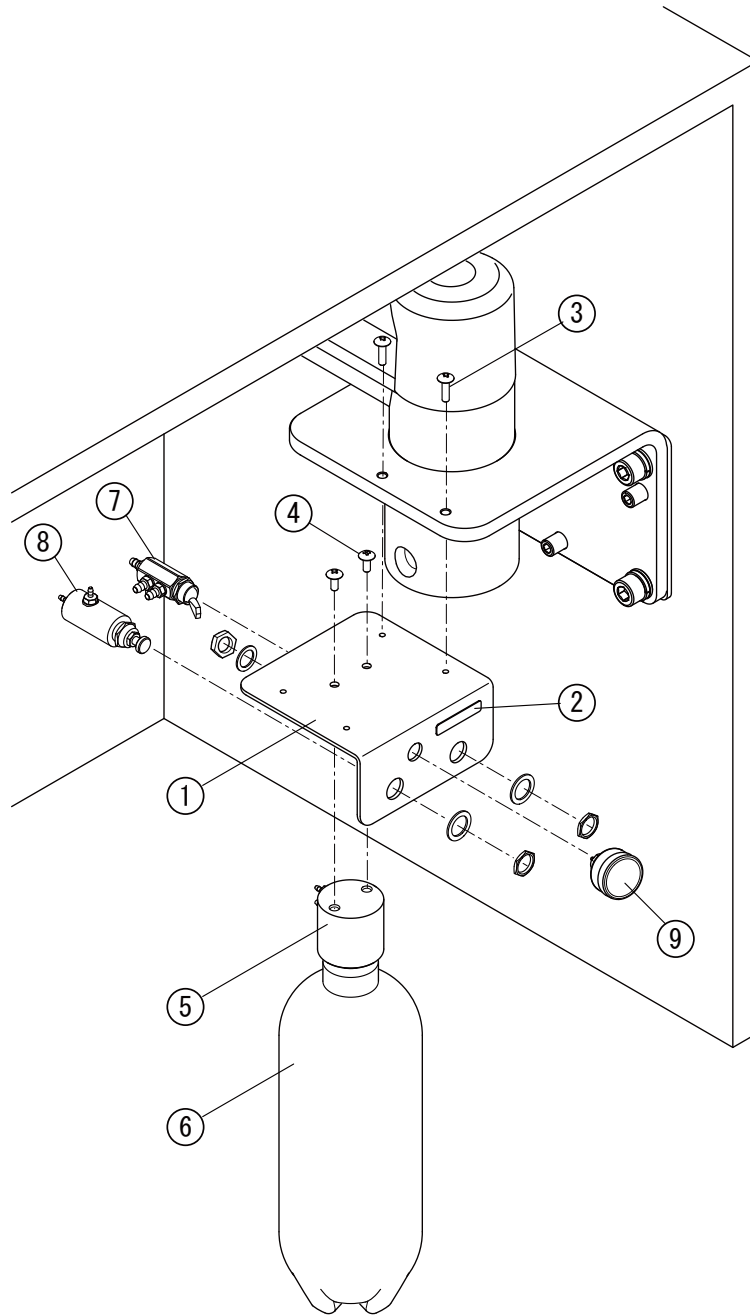
ID. NO.	Parts No.	Description	QTY
1	FATB05C0	Cap for Rotation Axis	1
2	FJTA25A0	Fine U-Nut (FU05SS)	1
3	FASA98D0	Cover for Rotation Axis	1
4	FATA76C0	Rotation Spacer	1
5	FATA60D0	Rotation Axis	1
6	FATB03B0	Thrust Washer φ70xφ50x1t	1
7	FHAA06B0	Horizontal Arm Ass' y	1
8	1A0AJ9A0	Arm End Cap	1
9	FATB50B0	Horizontal Arm Bottom Cover	1
10	1A04HNA0	第1アーム底蓋用補強板	2
11	ZA88JLRU	Screw M4x10	1
12	FAAA29A0	Brake Plug	1
13	FAAA30A0	Brake Shoe	1
14	ZA7710RU	Set Screw M6x10	1
15	ZB552LAY	Tooth Lock Washer M4	1

26. Mounting Bracket for BDS-2555



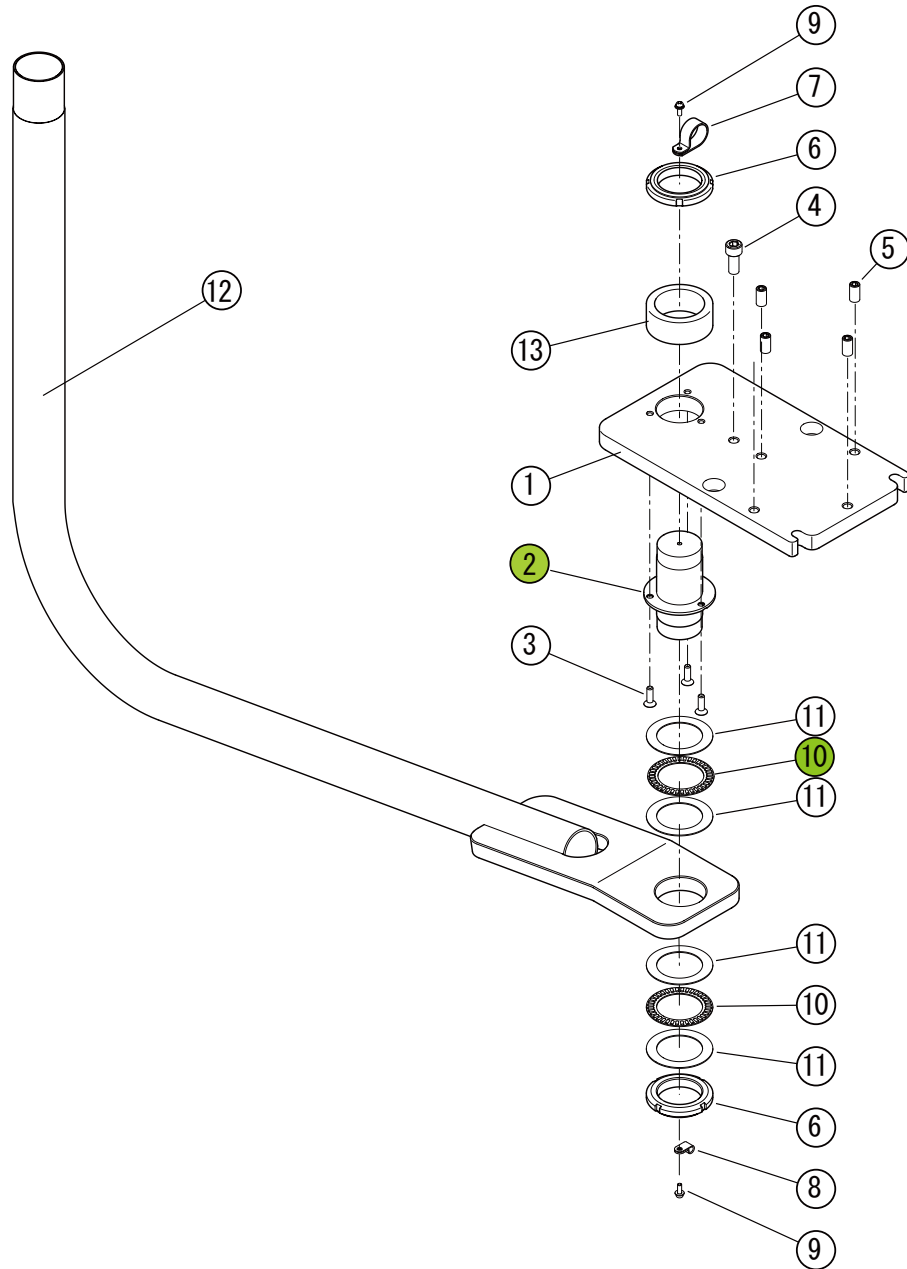
ID. No.	Parts No.	Description	QTY
1	FAAA49B0	Leveling Plate	1
2	FHAA05C0	Mounting Bracket	1
3	ZB562QAU	Flat Washer M10	4
4	ZB511QAU	Spring Washer M10	4
5	ZA762Q4U	Hex Socket Bolt M10 x 50	4
6	B7210020	Set Screw M10 x 20	3
7	ZA812QAU	Nut M10	4
8	FGAA15A0	Umbilical Hose With Clamp	1

27. Water Bottle System for BDS-2555



ID. No.	Parts No.	Description	QTY
1	FATB56D0	Bracket for Water Bottle	1
2	FATB46A0	Label (City/Bottle)	1
3	ZA88JLSU	Screw M4 x 12	2
4		Bottle Mounting Screw	2
5	R-C1804-1	Pressure Head Assembly	1
6	P-1811-1L	Water Bottle (1Liter)	1
7	V-1515G	Routing Selector Valve for Bottled H2O System	1
8	C-1835	Mini-Air Regulator	1
9	C-1840T	Mini-Air Gauge	1

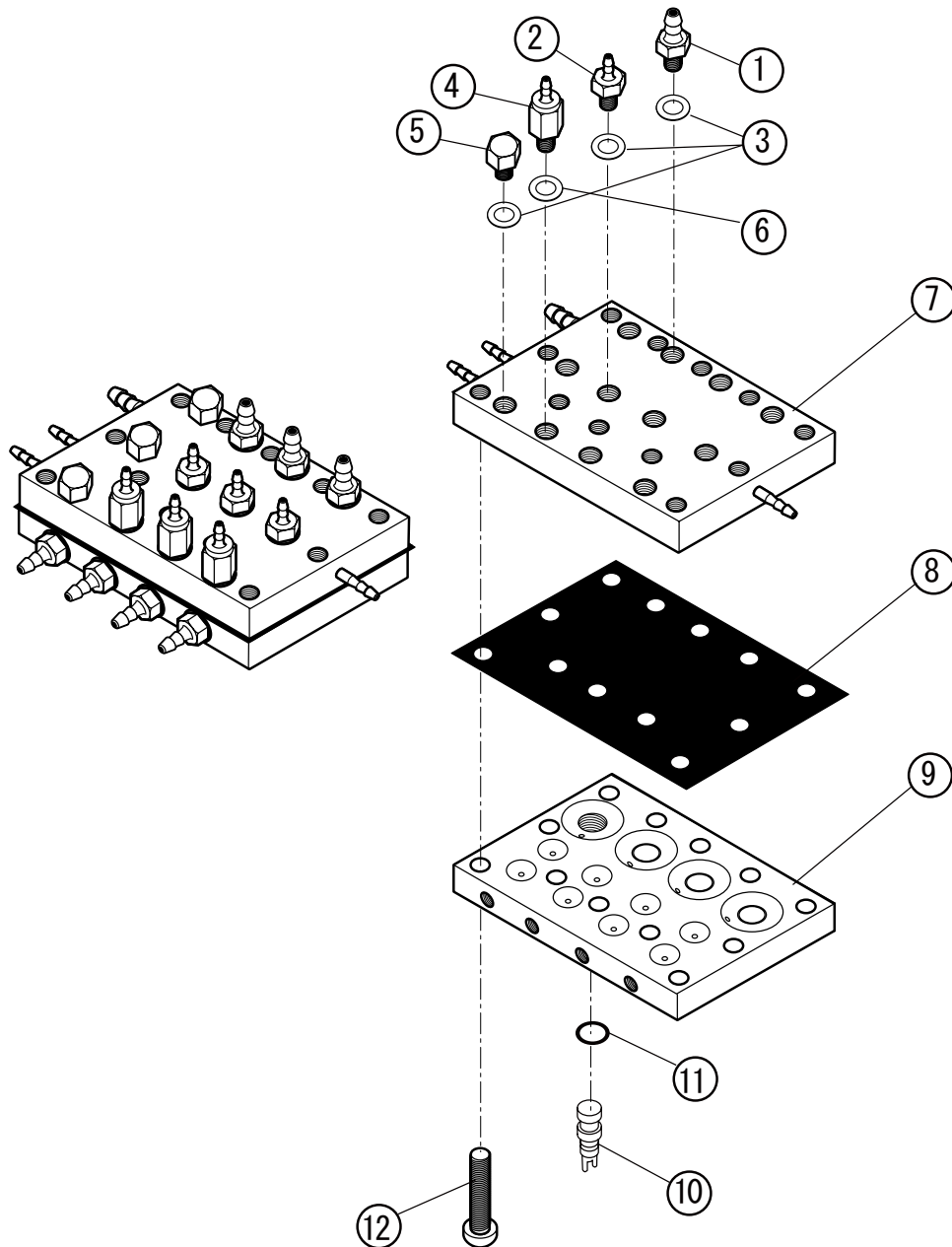
28. Swing Mount Arm Section for BDS-2590



ID. No.	Parts No.	Description	QTY
1	FATA86E0	Rotation Bracket	1
2	FATA89B0	Rotation Shaft	1
3	ZSA010WU	Flat Head Hex Socket Bolt M6 x 20	3
4	ZA761QVU	Hex Socket Bolt M10 x 18	1
5	B7210020	Set Screw M10 x 20	4
6	FJTA26A0	Fine U-Nut (FU09SS)	2
7	FJRA53A0	Nylon Clamp SL-14N	1
8	FJMA68A0	Nylon Clamp (3304)	1
9	ZA88JLRU	Screw M4 x 10	2
10	FJNA55A0	Needle Bearing	2
11	FJNA56A0	Thrust Washer AS1109	4
12	FATB42E0	Swing Pole for Monitor	1
13	FATB13B0	Spacer F/Rotation Pole	1

1~9	FHBA76A0	Rotation Bracket Ass'y	1
-----	----------	------------------------	---

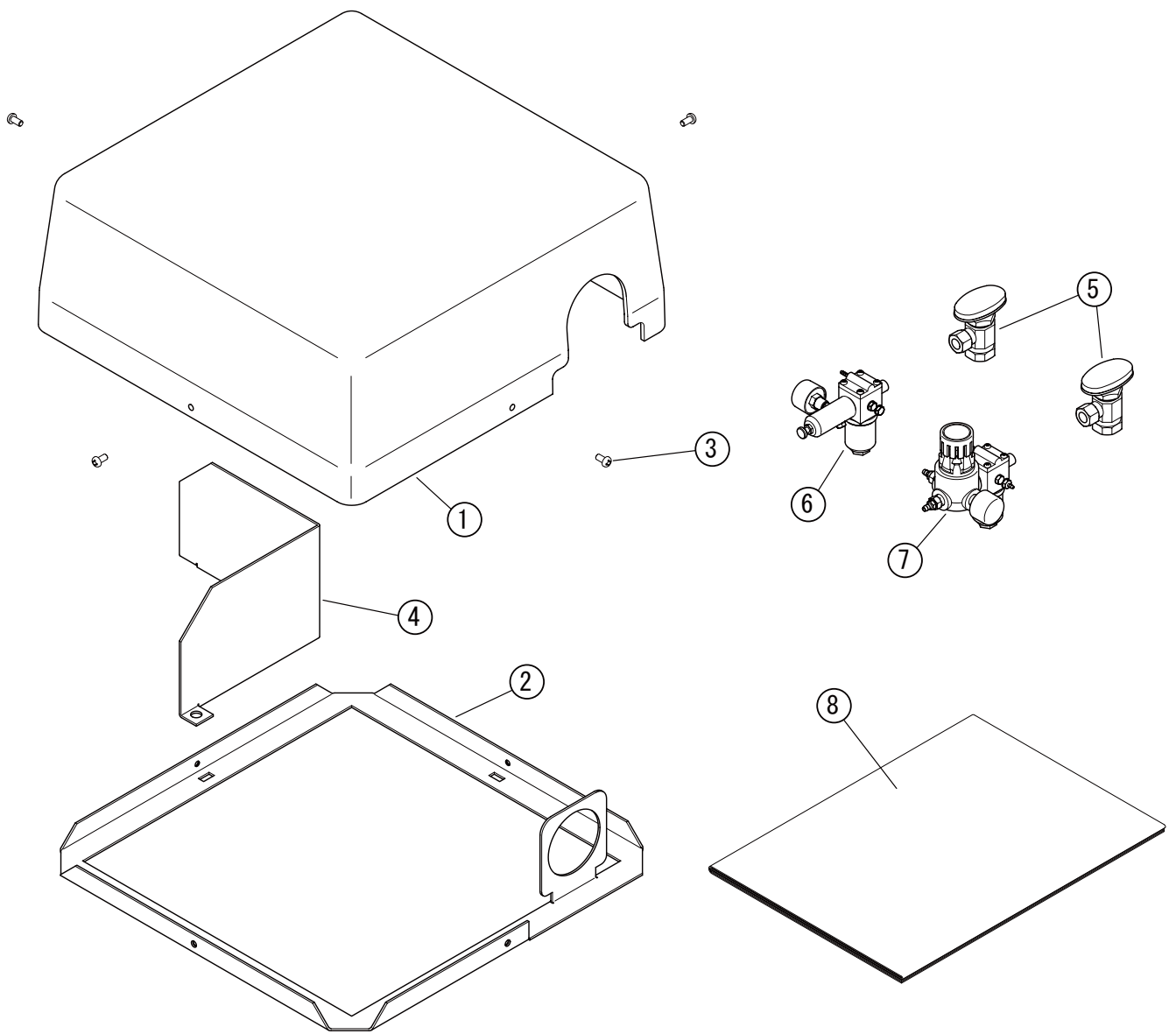
29. Auto Select Valve Ass'y



ID. No.	Parts No.	Description	QTY
1	P-1053	1/8" × 10-32 barb (plated)	3
2	P-1052	1/16" × 10-32 barb (plated)	7
3	P-1055	Nylon Washer, 10-32 (seal)	13
4	FGMA56A0	Joint M5 Ass'y	3
5	P-1054	Plug Bolt	3
6	AAES66A0	Seal Ring	3
7	FGTA01A0	Valve Block Ass'y (4P)	1
8	FATA08D0	Diaphragm	1
9	FATA07A0	Pilot Block (4P)	1
10	FATA09A0	Drive Air Adjuster	4
11	FEMA18A0	O-Ring (.5 x .2.8 x 1.1W)	4
12	ZA111LWU	Screw M4 x 20	9

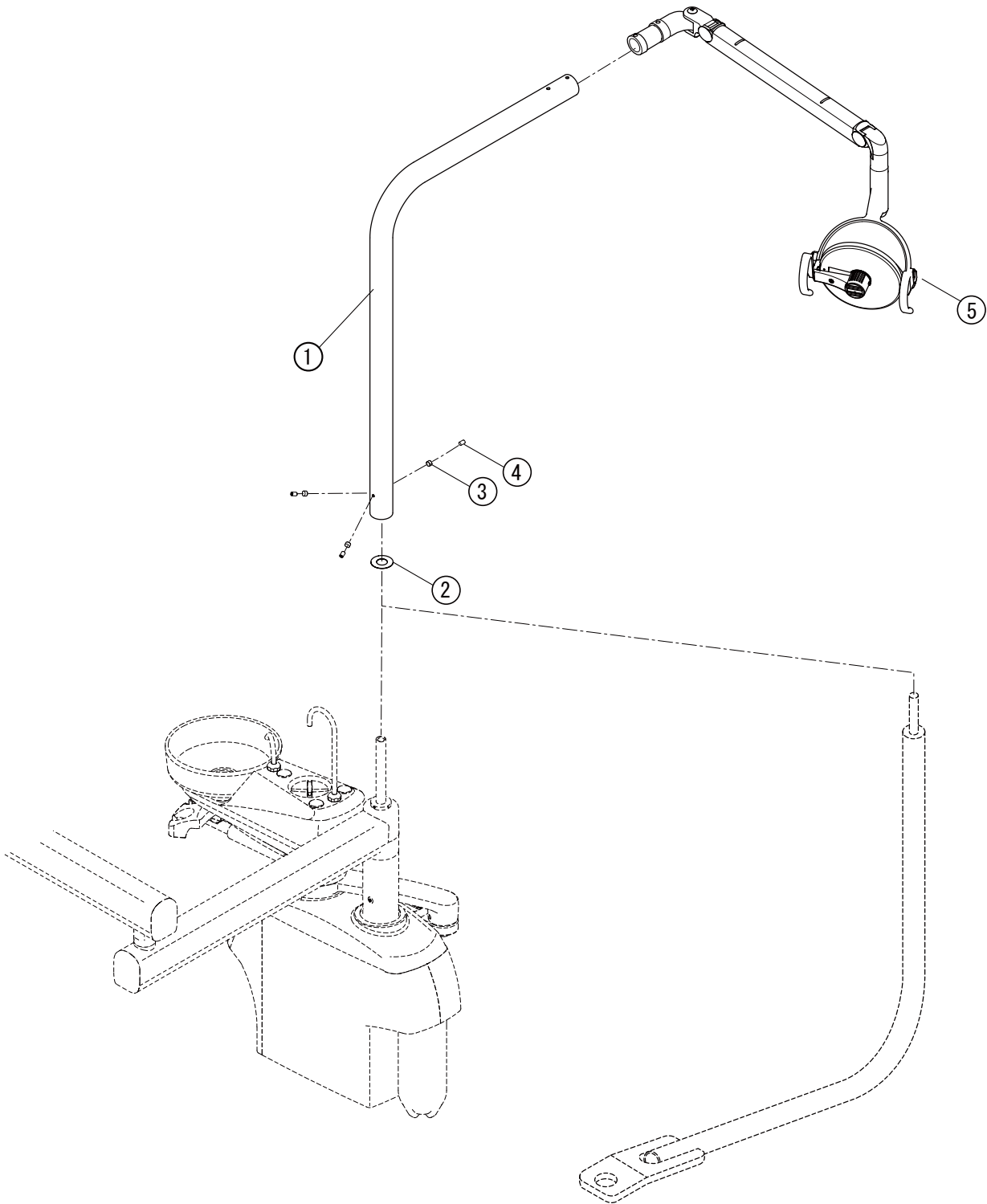
FGTA09C0	Auto-select Valve Ass'y	
----------	-------------------------	--

30. J-Box Section
 Standard J-Box for BEL-20/ 037S and AcuTrac Chair (Short Pump Cover)



ID. No.	Parts No.	Description	QTY
1	JB001	J-BOX COVER	1
2	JB002	J-BOX FRAME	1
3	35651-105824	MACHINE SCREWS, 10-32 x .5"	4
4	JB003	ISOLATION FRAME	1
5			2
6	V-1855	AIR ASSEMBLY	1
7	V-1850	WATER ASSEMBLY	1
8	JB-1	TEMPLATE	1

31. Light Pole Ass' y for Mounting BDS -2535
 onto BDS-2530/2570/2580



ID. No.	PartNo.	Description	QTY
1	1G004XA0	L-Type Light Pole	1
2	FAL108A0	Nylon Washer	1
3	FAAA34A0	Brake Shoe for Light Pole	3
4	ZA7710RU	Set Screw M6 x 10	3
5		Clesta	1

Memo



BELMONT EQUIPMENT CORPORATION

101 Belmont Drive, Somerset, N. J. 08873, U. S. A.

Tel. : (732) 469-5000, Toll Free (800) 223-1192

Telefax : (732) 469-9430

Printed in Japan 2012.@@@