

Swing-Mounted Delivery With Optional Assistant's Vac Pac

- **BDS2575 Delivery System**
- **BDS0050 Assistant's Vac Pac** (For B50N, B50 & B20N Chairs.)

Doctor's Control

- 3 Handpiece automatic control
- Individual handpiece pressure adjustment
- Individual handpiece water adjustment
- Master handpiece air coolant adjustment
- Non-retracting water coolant with master ON/OFF
- Handpiece flush system
- 4-hole Midwest style straight gray tubing
- 3-way syringe
- Wet/Dry foot control
- Stainless steel tray with non-slip pad

Arm System

- Balance arm with air brake
- Delivery swing arm with city/bottled water system

Chair Adapter

- Chair adapter for B50N, B50 or B20N
- Adapter for Quolis® chair (upcharge option)

Junction Box

- J-Box with air and water floor utilities
- 5' Umbilical

Assistant Instruments (option)

- Rear-mounted swing arm
- 4-position crescent shaped instrument holder
- 3-way syringe, HVE and saliva ejector
- 1/4" water QD with outlet flow control
- Solids collection canister with disposable screen



*BDS2575 Delivery System
Shown with BDS0050 assistant's Vac Pac option on a B50 chair*

Swing-Mounted Delivery With Optional Monitor Mount & Optional Assistant Vac Pac

- **BDS2575 Delivery System**
- **BDS2589 Monitor Arm & FPMM**
- **BDS0050 Assistant's Vac Pac** (For B50N, B50 & B20N Chairs.)

Doctor's Control

- 3 Handpiece automatic control
- Individual handpiece pressure adjustment
- Individual handpiece water adjustment
- Master handpiece air coolant adjustment
- Non-retracting water coolant with master ON/OFF
- Handpiece flush system
- 4-hole Midwest style straight gray tubing
- 3-way syringe
- Wet/Dry foot control
- Stainless steel tray with non-slip pad

Arm System

- Balance arm with air brake
- Delivery swing arm with city/bottled water system
- Monitor swing arm (BDS2589 & FPMM options)

Chair Adapter

- Chair adapter for B50N, B50 or B20N
- Adapter for Quolis® chair (upcharge option)

Junction Box

- J-Box with air and water floor utilities
- 5' Umbilical

Assistant Instrument Arm (option)

- Rear-mounted swing arm
- 4-position crescent shaped instrument holder
- 3-way syringe, HVE and saliva ejector
- 1/4" water QD with outlet flow control
- Solids collection canister with disposable screen



*BDS2575 Delivery System
Shown with optional accessories : Unit mounted touchpad, BDS0050 assistant's Vac Pac,
BDS2589 monitor arm & FPMM flat panel monitor mount on a B50 chair (Monitor not available)*

CONFIGURATION AND MODEL NUMBER

| Components | Over-the-Patient Delivery | | Cuspidor (only) w/ Asst. Instr. |
|--|---------------------------|---------|------------------------------------|
| | BDS2500 | BDS2510 | BDS2520 |
| Doctor's control | ■ | ■ | |
| Post mount utility section (PMU) with city/bottle water system | ■ | ■ | ■ |
| Gravity drain cuspidor | ■ | ■ | ■ |
| Telescoping assistant instrument arm with syringe, HVE & SE | ■ | ■ | ■ |
| Dental light | (*Note) | (*Note) | (**Note) |

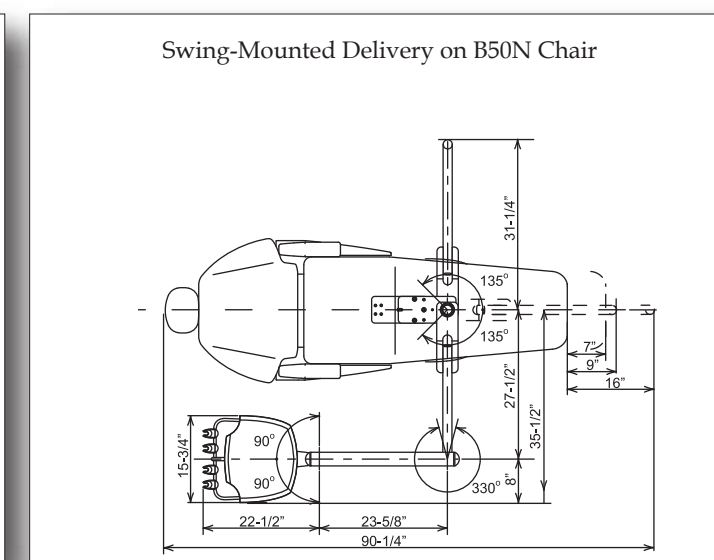
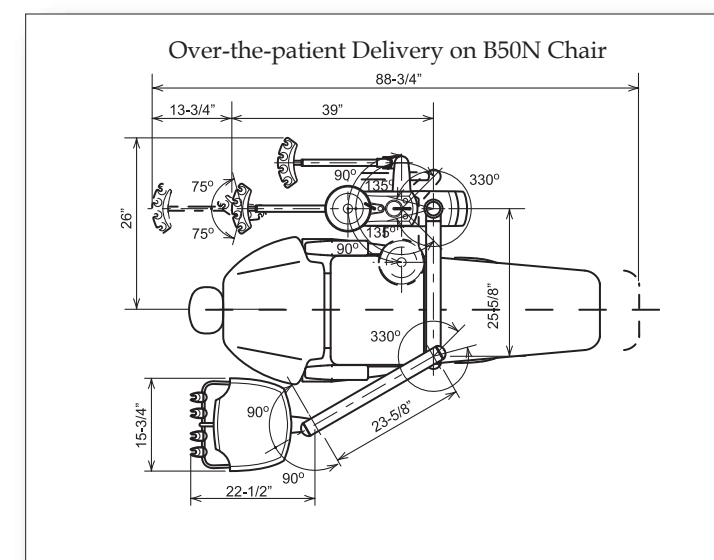
(*Note) Choose from the following:
BDS2536N Bel-Halo LED light with curved light post **AL901R** Bel-Halo LED light and **BDS0012 24"** light post
BDS2537N Clesta LED light with curved post **AL301R** Clesta LED light and **BDS0012 24"** light post
BDS2535N Clesta halogen light with curved light post **AL511T** Clesta halogen light and **BDS0012 24"** light post

(**Note) **FHAA03A0** Light post base assembly required for mounting all lights onto **BDS2520** cuspidor

| Components | Swing-Mounted Delivery | | | | Monitor Arm (For BDS2575) | Assistant's Vac Pac For B50N, B50 & B20N Chairs |
|--|------------------------|--------------|------------|---------|------------------------------|--|
| | BDS2570 | BDS2572 | BDS2573 | BDS2575 | | |
| Doctor's control | ■ | ■ | ■ | ■ | | |
| Left / right swing arm with city/bottle water system | ■ | ■ | ■ | ■ | | |
| Left / right curved post light | Clesta halogen | Bel-Halo LED | Clesta LED | | | |
| Left / right rear mounted assistant instrument arm | | | | | | ■ |
| Left / right monitor swing arm | | | | | *** ■ | |

(***Note) Order **BDS2589** monitor swing arm and **FPMM** monitor mount for attaching to **BDS2575** Delivery only.
 For stand-alone monitor arm-without delivery, choose **EVG3590B** (includes pivot assembly, chair adapter flat panel monitor mount.)

DIMENSIONS

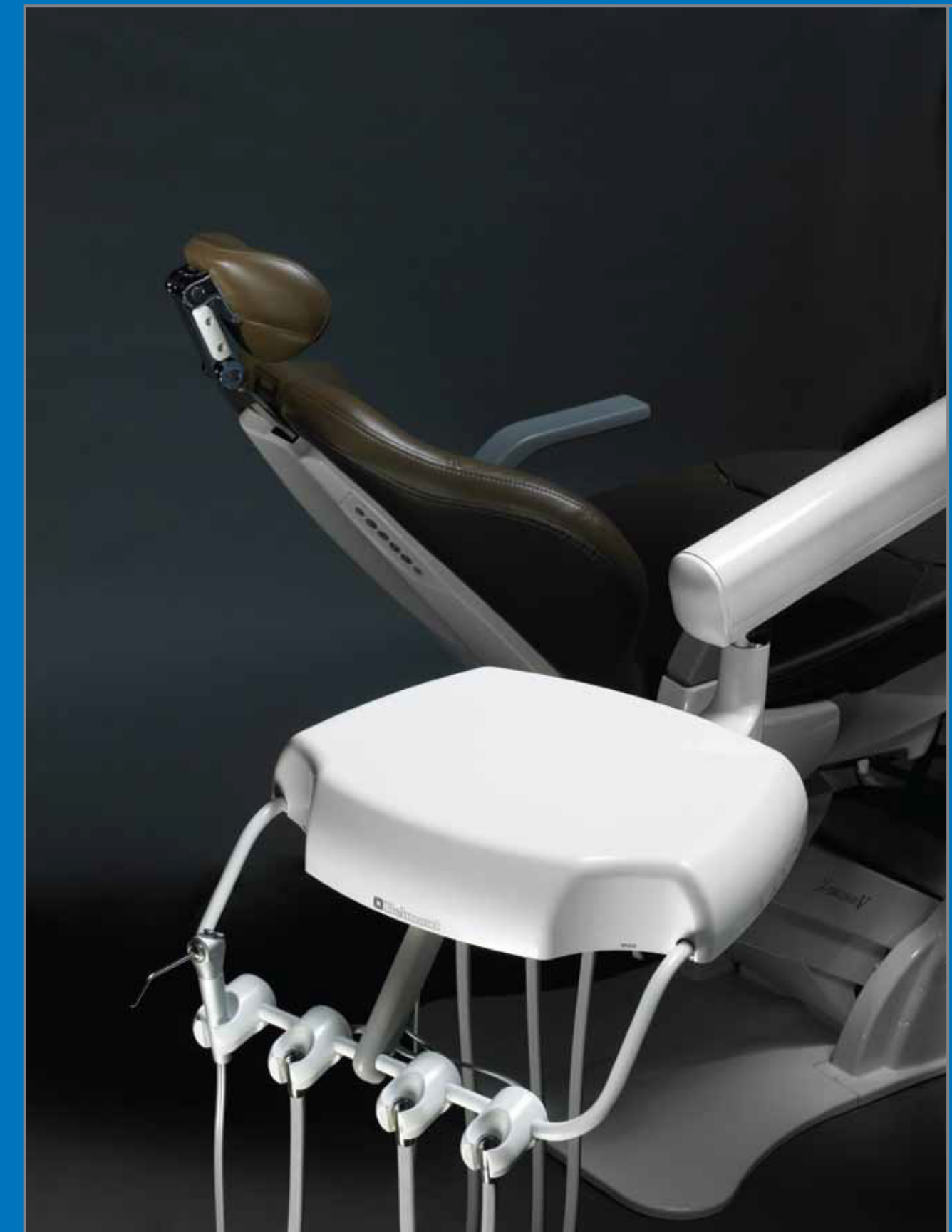


Takara Company Canada Ltd.
2076 South Sheridan Way
Mississauga, ON
L5J 2M4, Canada
(905) 822-2755
(800) 268-5351
dental.takarabelmont.ca



Belmont Equipment
Division of Takara Belmont USA, Inc.
101 Belmont Drive, Somerset, NJ 08873
Phone : 1-800-223-1192
www.belmontequip.com

Models, specifications, prices and warranty policies
subject to change without notice
BRH00052 REV021419



Over-the-Patient Delivery Configurations

X-Calibur over-the-patient delivery systems are available in 2 separate configurations to meet the needs of traditional dentistry and beyond

FLEXIBILITY

DURABILITY

ERGONOMICS

RELIABILITY

Over-the-Patient Delivery, With Cuspidor

- **BDS2500 With Assistant Instruments**

Doctor's Control

- 3 Handpiece automatic control
- Individual handpiece pressure adjustment
- Individual handpiece water adjustment
- Master handpiece air coolant adjustment
- Non-retracting water coolant with master ON/OFF
- Handpiece flush system
- 4-hole Midwest style straight gray tubing
- 3-way syringe
- Wet/Dry foot control
- Stainless steel tray with non-slip pad
- Remote toggles for cuspidor cupfill & bowl rinse

Arm System

- Balance arm with air brake
- Horizontal arm

Post Mounted Utility with Cuspidor

- Post mounted utility (PMU) side box
- City/bottled water system
- Swing-away cuspidor upper section
- Removable glass bowl for easy cleaning
- Push buttons for cupfill and bowl rinse
- Adjustable timed bowl rinse
- 1/4" Water QD with outlet flow control
- 1/4" Air QD
- Solids collection canister with disposable screen

Assistant Instruments

- Telescoping assistant instrument arm
- 4-position crescent shaped instrument holder
- 3-way syringe, HVE and saliva ejector

Chair Adapter

- Chair adapter for B50N, B50 or B20N
- Adapter for Quolis® chair (upcharge option)

Junction Box

- 5' umbilical
- J-Box with air and water floor utilities

Light (option)

- Choose Bel-Halo LED, Clesta LED or Clesta halogen lights



*BDS2500 Delivery System with Cuspidor & Telescoping Assistant Instrument Arm
Shown with touchpad option, BDS2536N curved post version of Bel-Halo LED light, mounted on a B20⁺ chair*

Over-the-Patient Delivery, No Cuspidor

- **BDS2510 With Assistant Instruments**

Doctor's Control

- 3 Handpiece automatic control
- Individual handpiece pressure adjustment
- Individual handpiece water adjustment
- Master handpiece air coolant adjustment
- Non-retracting water coolant with master ON/OFF
- Handpiece flush system
- 4-hole Midwest style straight gray tubing
- 3-way syringe
- Wet/Dry foot control
- Stainless steel tray with non-slip pad

Arm System

- Balance arm with air brake
- Horizontal arm

Post Mounted Utility

- Post mounted utility (PMU) side box
- City/bottled water system
- 1/4" Water QD with outlet flow control
- 1/4" Air QD
- Solids collection canister with disposable screen

Assistant Instruments

- Telescoping assistant instrument arm
- 4-position crescent shaped instrument holder
- 3-way syringe, HVE and saliva ejector

Chair Adapter

- Chair adapter for B50N, B50 or B20N
- Adapter for Quolis® chair (upcharge option)

Junction Box

- 5' umbilical
- J-Box with air and water floor utilities

Light (option)

- Choose Bel-Halo LED, Clesta LED or Clesta halogen lights



*BDS2510 Delivery System with Telescoping Assistant Instrument Arm (No Cuspidor)
Shown with AL511T Clesta halogen light option and BDS0012 24" light post option, mounted on a B20⁺ chair*

Swing-Mounted Delivery Configurations

X-Calibur swing-mounted delivery systems meet the needs of practices that require flexibility to reposition operator set-up from the right side of the chair to the left side within seconds

Swing-Mounted Delivery, With Dental Light and Optional Assistant Vac Pac

- **BDS2570 Delivery with Clesta halogen Light**
(BDS2572 Delivery with Bel-Halo LED Light, or BDS2573 Delivery with Clesta LED Light)
- **BDS0050 Assistant's Vac Pac** (For B50N, B50 & B20N Chairs)

Doctor's Control

- 3 Handpiece automatic control
- Individual handpiece pressure adjustment
- Individual handpiece water adjustment
- Master handpiece air coolant adjustment
- Non-retracting water coolant with master ON/OFF
- Handpiece flush system
- 4-hole Midwest style straight gray tubing
- 3-way syringe
- Wet/Dry foot control
- Stainless steel tray with non-slip pad

Arm System

- Balance arm with air brake
- Delivery swing arm with city/bottled water system
- Light swing arm assembly

Light Choices

- Bel-Halo LED light (2970 FTC - 370 FTC Variable)
- 5000°K approximates natural daylight at all settings
- Clesta LED light (2601 FTC - 288 FTC Variable)
- 5000°K approximates natural daylight at all settings
- Clesta light (2600 FTC, 2000 FTC and 740 FTC)
- 5000°K approximates natural daylight at high setting

Chair Adapter

- Chair adapter for B50N, B50 or B20N
- Adapter for Quolis® chair (upcharge option)

Junction Box

- J-Box with air and water floor utilities
- 5' Umbilical

Assistant Instruments (option)

- Rear-mounted swing arm
- 4-position crescent shaped instrument holder
- 3-way syringe, HVE and saliva ejector
- 1/4" water QD with outlet flow control
- Solids collection canister with disposable screen



*BDS2570 Swing-Mounted Delivery System with Swing-Mounted Clesta halogen Light
Shown with BDS0050 rear-mounted assistant's Vac Pac & 90175 additional HVE options, mounted on a B50 chair*