



MODEL EX-1000 & EX-2000

PARTS



BELMONT EQUIPMENT CORPORATION

101 Belmont Drive, Somerset, NJ 08873

(732) 469-5000 Fax (800) 280-7504

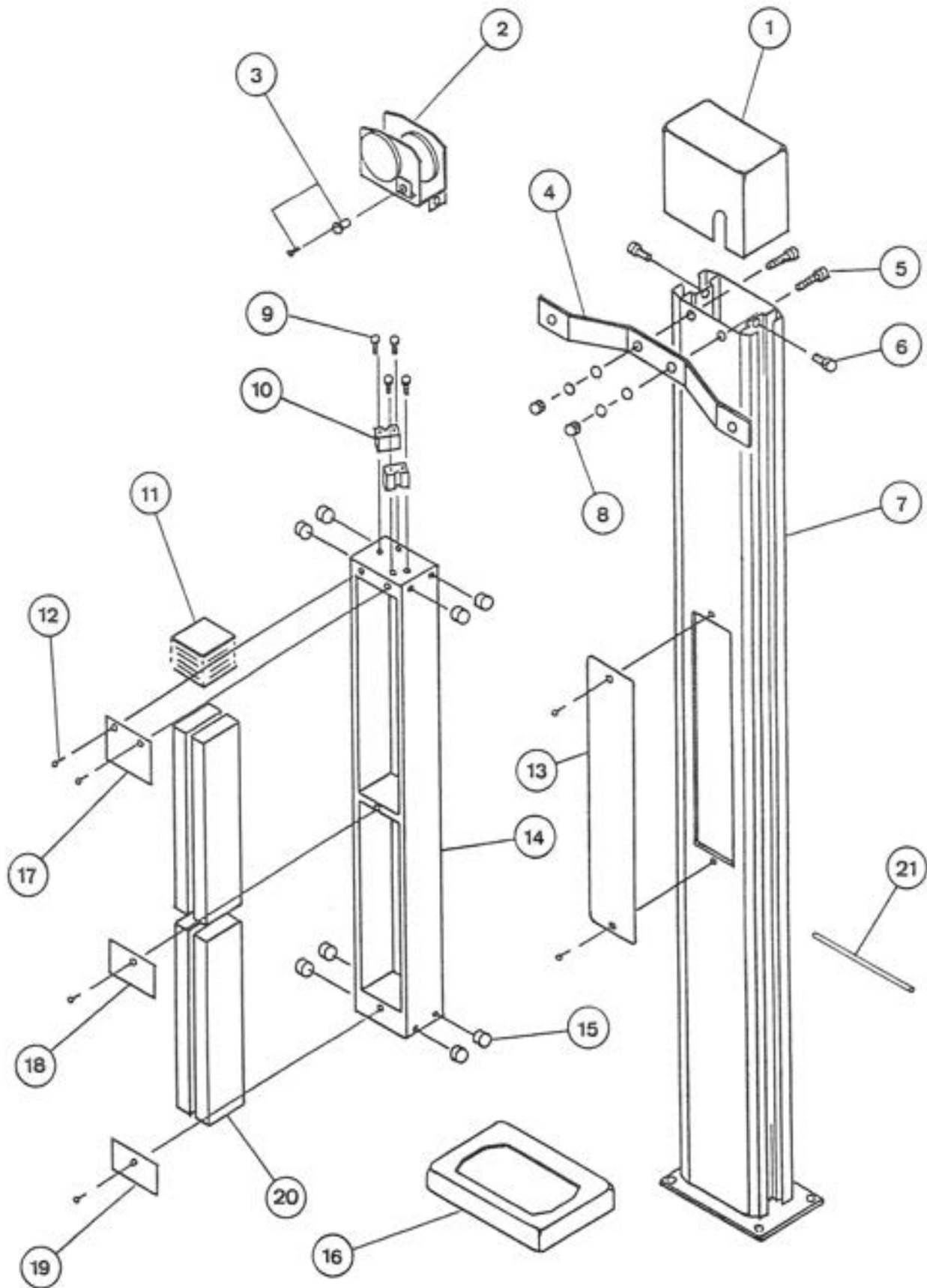
Toll Free (800) 223-1192

MODELS, PRICES, AND SPECIFICATONS ARE SUBJECT TO CHANGE WITHOUT NOTICE

I N D E X

<u>SECTION</u>	<u>PAGE</u>
COLUMN UNIT ASSEMBLY	2
SLIDING UNIT ASSEMBLY.....	4
HEAD HOLDING UNIT ASSEMBLY	6
OPERATING UNIT ASSEMBLY - PART I	8
OPERATING UNIT ASSEMBLY - PART II	10
CONTROL UNIT ASSEMBLY - PART I.....	12
CONTROL UNIT ASSEMBLY - PART II.....	14
X-RAY HEAD ASSEMBLY.....	16
CEPHALOMETRIC DEVICE ASSEMBLY(FOR EX-2000).....	18
BASE PLATE SECTION(OPTIONAL).....	20

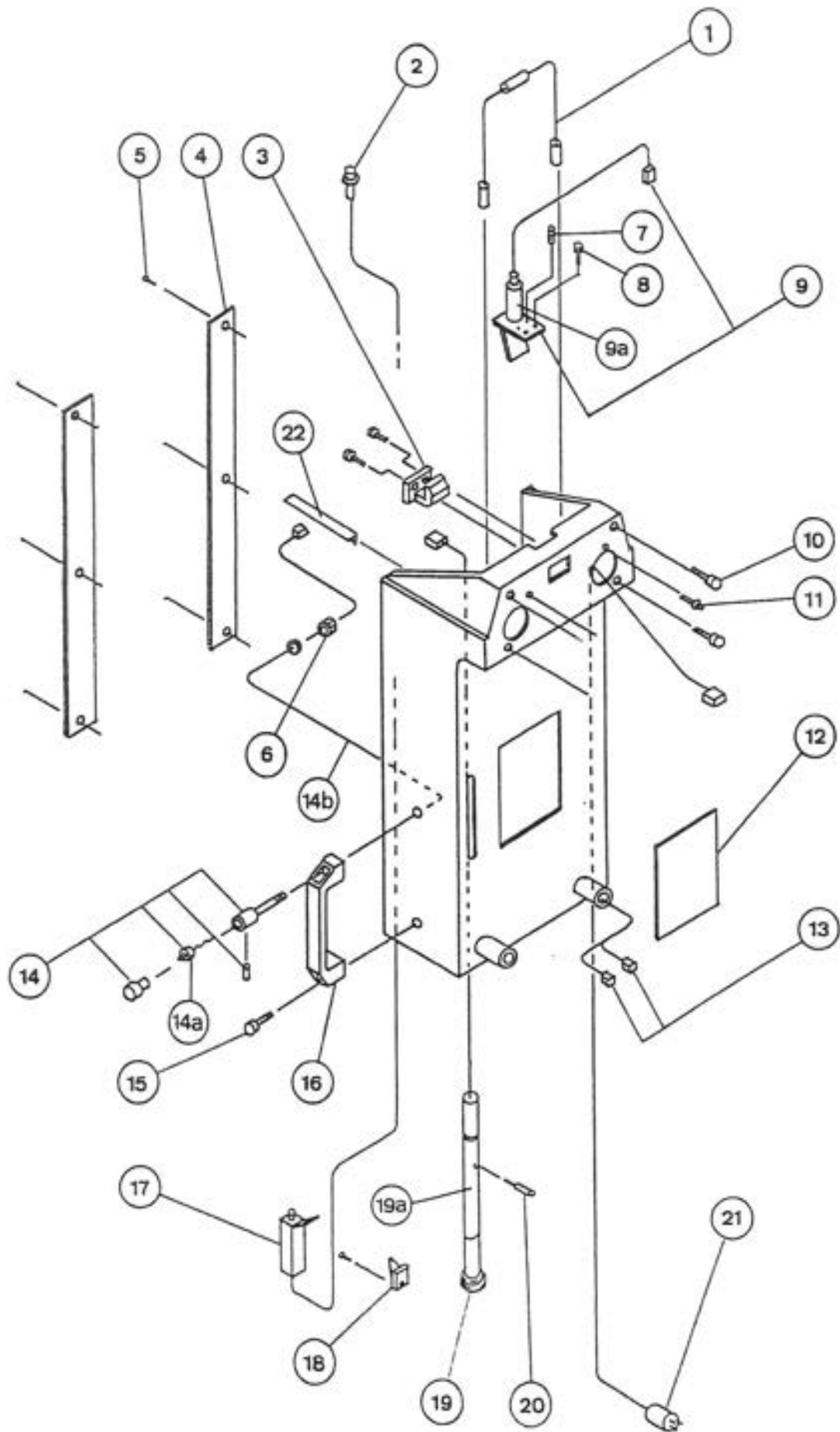
COLUMN UNIT ASSEMBLY



COLUMN UNIT ASSEMBLY

INDEX NO.	PART NO.	DESCRIPTION
1	EX- 01010	TOP COVER
2	EX- 01020	PULLEY ASSEMBLY W/CONNECTOR
3	EX- 01030	CONNECTOR
4	EX- 01040	WALL BRACKET
5	EX- 01050	SOCKETHEAD BOLT (M6 - 20)
6	EX- 01060	SOCKETHEAD BOLT (M5 - 15)
7	EX- 01070	COLUMN
8	EX- 01080	NUT (M6) & WASHER
9	EX- 01090	SOCKETHEAD BOLT (M8 - 35)
10	EX- 01100	WIRE HOLDER
11	EX- 01110	ADJUSTING WEIGHT PLATE
12	EX- 01120	SCREW (M4 - 10)
13	EX- 01130	BACK COVER
14	EX- 01140	COUNTERWEIGHT FRAME
15	EX- 01150	ROLLER
16	EX- 01160	COLUMN COVER
17	EX- 01170	PLATE (A)
18	EX- 01180	PLATE (B)
19	EX- 01180	PLATE (B)
20	EX- 01190	COUNTERWEIGHT FOR EX-1000
	EX- 01200	COUNTERWEIGHT FOR EX-2000
21	EX- 01210	STEEL ROD FOR INSTALLATION

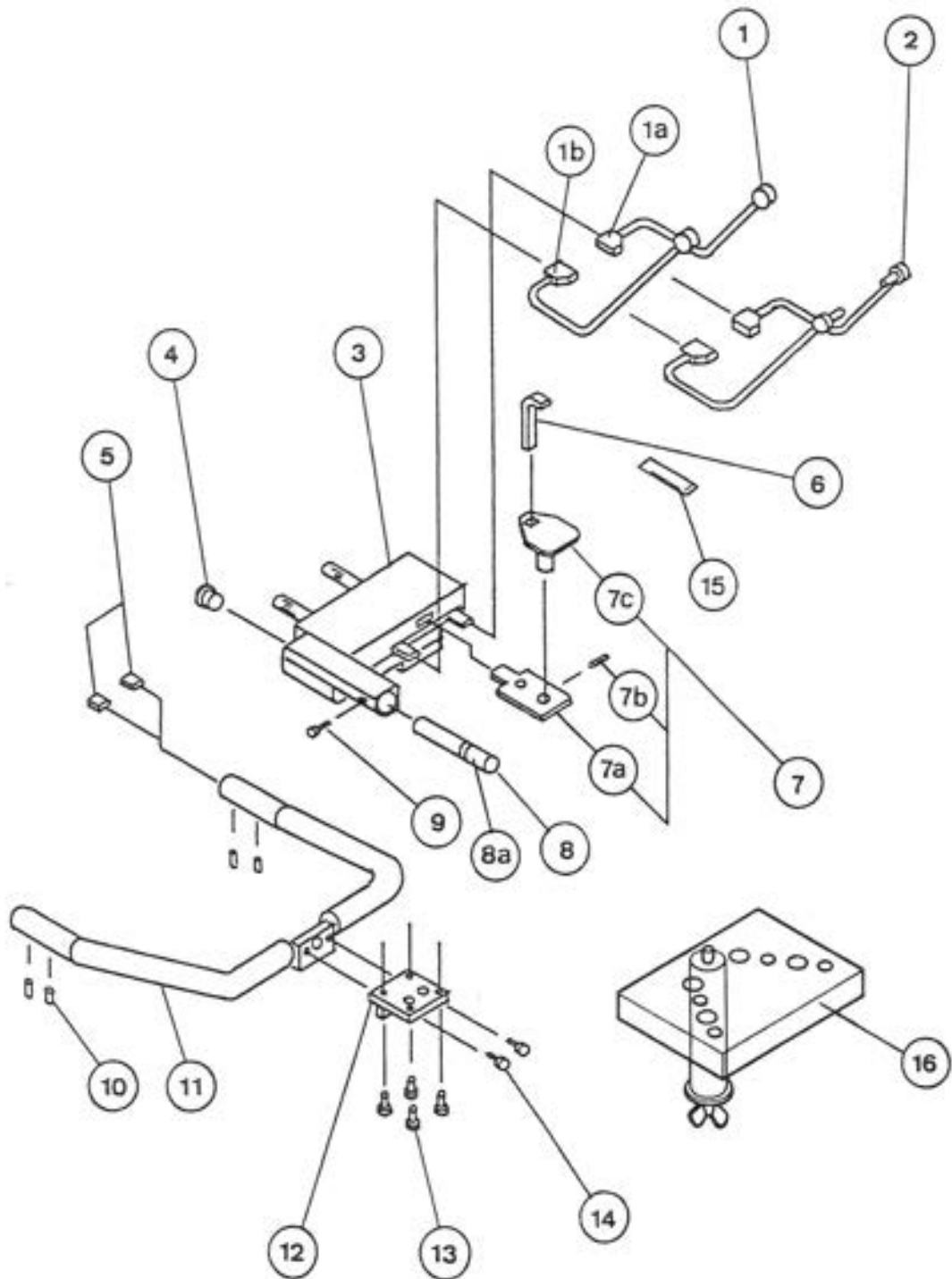
SLIDING UNIT ASSEMBLY



SLIDING UNIT ASSEMBLY

INDEX NO.	PART NO.	DESCRIPTION
1	EX- 02010	WIRE CABLE ASS'Y FOR COUNTER WEIGHT
2	EX- 02020	BRAKE WIRE W/CONNECTOR
3	EX- 02030	HOOK FOR DRIVING UNIT
4	EX- 02040	REAR SIDE COVER (RIGHT)
	EX- 02041	REAR SIDE COVER (LEFT)
5	EX- 02050	SCREW (M3 - 8)
6	EX- 02060	NUT (M8)
7	EX- 02070	SET SCREW (M4 - 10)
8	EX- 02080	SOCKETHEAD SCREW (M4 - 15)
9	EX- 02090	MEDIAN LINE INDICATOR (M4 -15)
9a	EX- 02110	BULB ASS'Y F/MEDIAN LINE INDICATOR (W/WIRE HARNESS)
10	EX- 02100	HEX BOLT (M8 - 30)
11	EX- 02130	TAPER PIN
12	EX- 02120	MIRROR
13	EX- 02190	WIRE W/CONNECTOR FOR FOCAL TROUGH IND.
14	EX- 02140	LOCK SWITCH ASSEMBLY ON SLIDING GRIP
14a	EX- 02170	LOCK SWITCH ON SLIDING GRIP
14b	EX- 02142	WIRE (A) FOR LOCK SWITCH
15	EX- 02150	SOCKETHEAD SCREW (M8 - 25)
16	EX- 02160	SLIDING GRIP
17	EX- 02240	EXPOSURE SWITCH
18	EX- 02180	HOOK FOR EXPOSURE SWITCH
19	EX- 02230	FRANKFORT PLANE INDICATOR ASSEMBLY
19a	EX- 02250	BULB ASS'Y F/FRANKFORT PLANE INDICATOR (W/WIRE HARNESS)
20	EX- 02200	INDICATOR KNOB FOR FRANKFORT PLANE
21	EX- 02210	MAIN POWER CABLE
22	EX- 02220	WIRE COVER

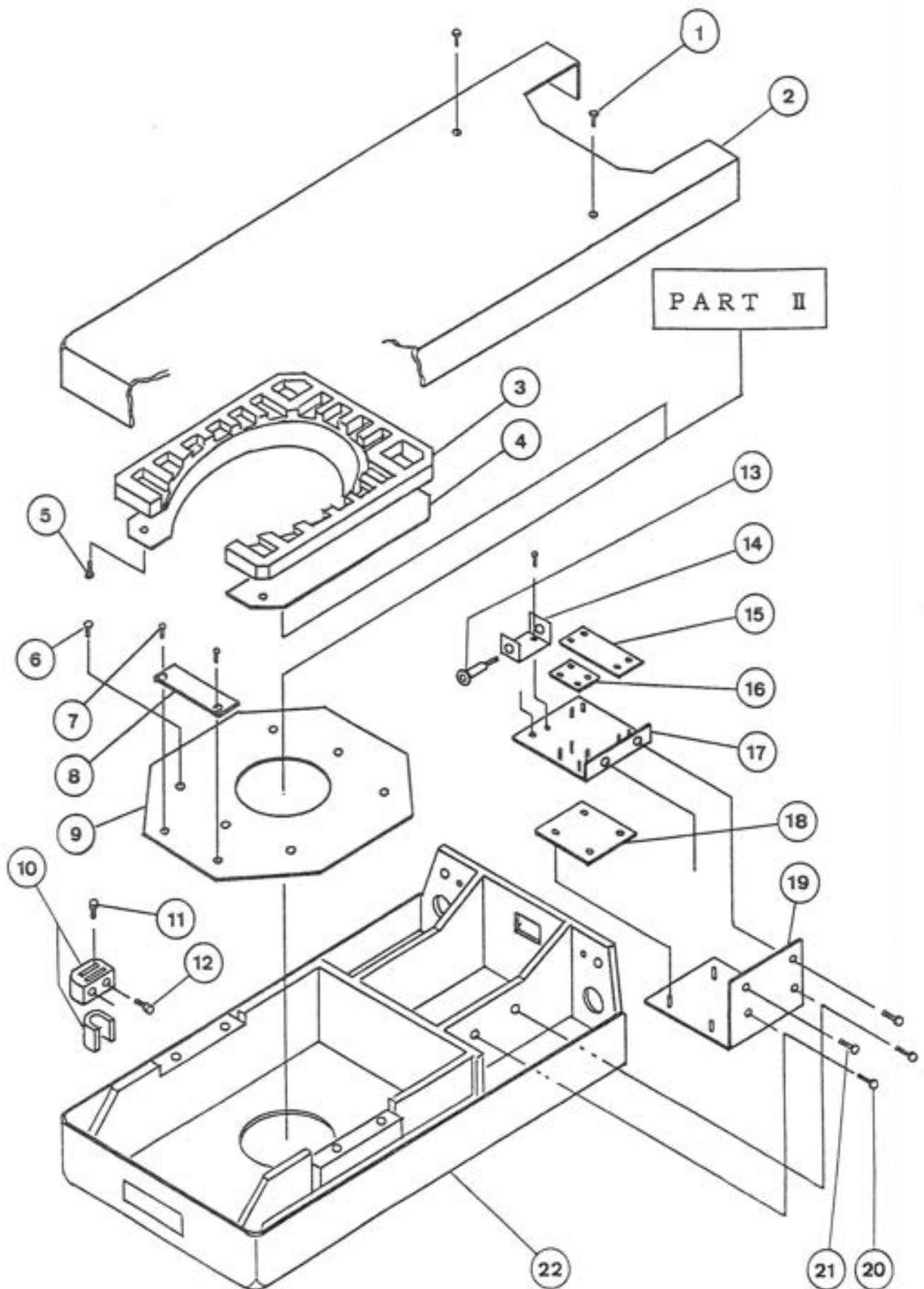
HEAD HOLDING UNIT ASSEMBLY



HEAD HOLDING UNIT ASSEMBLY

INDEX NO.	PART NO.	DESCRIPTION
1	EX- 03010	HEAD HOLDING ROD (LEFT FOR PANORAMA)
	EX- 03020	HEAD HOLDING ROD (RIGHT FOR PANORAMA)
1a	EX- 03021	BRACKET FOR HEAD HOLDING ROD (RIGHT)
1b	EX- 03011	BRACKET FOR HEAD HOLDING ROD (LEFT)
2	EX- 03030	HEAD HOLDING ROD (LEFT FOR T. M. J.)
	EX- 03040	HEAD HOLDING ROD (RIGHT FOR T. M. J.)
3	EX- 03050	CHINREST FRAME
4	EX- 03060	HOLE PLUG (A)
5	EX- 03070	WIRE HARNESS W/CONNECTOR IN CHINREST
6	EX- 03100	BITE PIECE
7	EX- 03090	CHINREST ASSEMBLY
7a	EX- 03091	CHINREST MOUNTING BRACKET
7b	EX- 03092	SET SCREW (M4 - 6)
7c	EX- 03111	CHINREST
8	EX- 03080	FOCAL TROUGH INDICATOR ASSEMBLY
8a	EX- 03130	BULB FOR FOCAL TROUGH INDICATOR
9	EX- 03120	INDICATOR KNOB FOR FOCAL TROUGH
10	EX- 03110	SET SCREW (M4 -6)
11	EX- 03140	CHINREST FRAME BAR
12	EX- 03150	CHINREST BRACKET
13	EX- 03160	SOCKETHEAD SCREW (M3 - 10)
14	EX- 03170	SOCKETHEAD SCREW (M4 - 12)
15	EX- 03180	PLASTIC BAG FOR BITE PIECE
16	EX- 03200	TEST PIECE FOR DENTAL ARCH

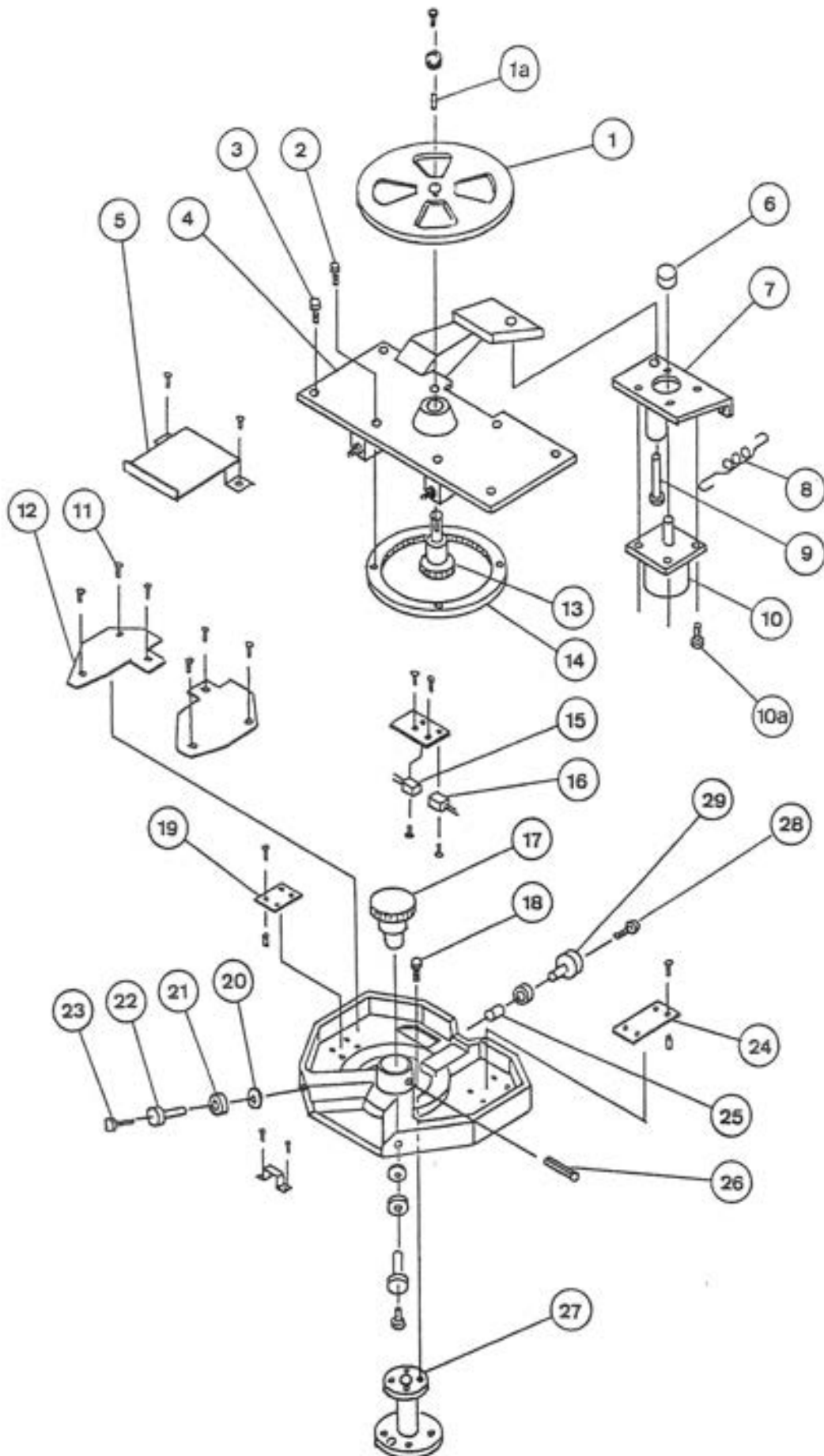
OPERATING UNIT ASSEMBLY - PART I



OPERATING UNIT ASSEMBLY - PART 1

INDEX NO.	PART NO.	DESCRIPTION
1	EX- 04010	SCREW (M3 - 10)
2	EX- 04020	DRIVING UNIT COVER
3	EX- 04030	UPPER FRAME
4	EX- 04040	DRIVING PLATE (UPPER)
5	EX- 04050	SCREW (M4 - 8)
6	EX- 04060	SCREW (M4 - 5)
7	EX- 04070	SCREW (M3 - 6)
8	EX- 04080	DETECTOR PLATE
9	EX- 04090	DRIVING PLATE (LOWER)
10	EX- 04100	ROTATION LOCK ASS'Y FOR EX-2000
11	EX- 04110	SOCKETHEAD SCREW (M4 - 20) FOR EX-2000
12	EX- 01060	SOCKETHEAD SCREW (M5 - 15) FOR EX-2000
13	EX- 04130	CIRCUIT PROTECTOR (AC 250V, 10A)
14	EX- 04140	BRACKET FOR PROTECTOR
15	EX- 04150	CN BOARD (B)
16	EX- 04160	CN BOARD (C)
17	EX- 04170	BRACKET FOR CN BOARD
18	EX- 04180	PULSE MOTOR BOARD (A)
19	EX- 04190	BRACKET FOR PULSE MOTOR BOARD (A)
20	EX- 04200	SCREW (M4 - 15)
21	EX- 04210	SCREW (M5 - 5)
22	EX- 04220	DRIVING UNIT HOUSING

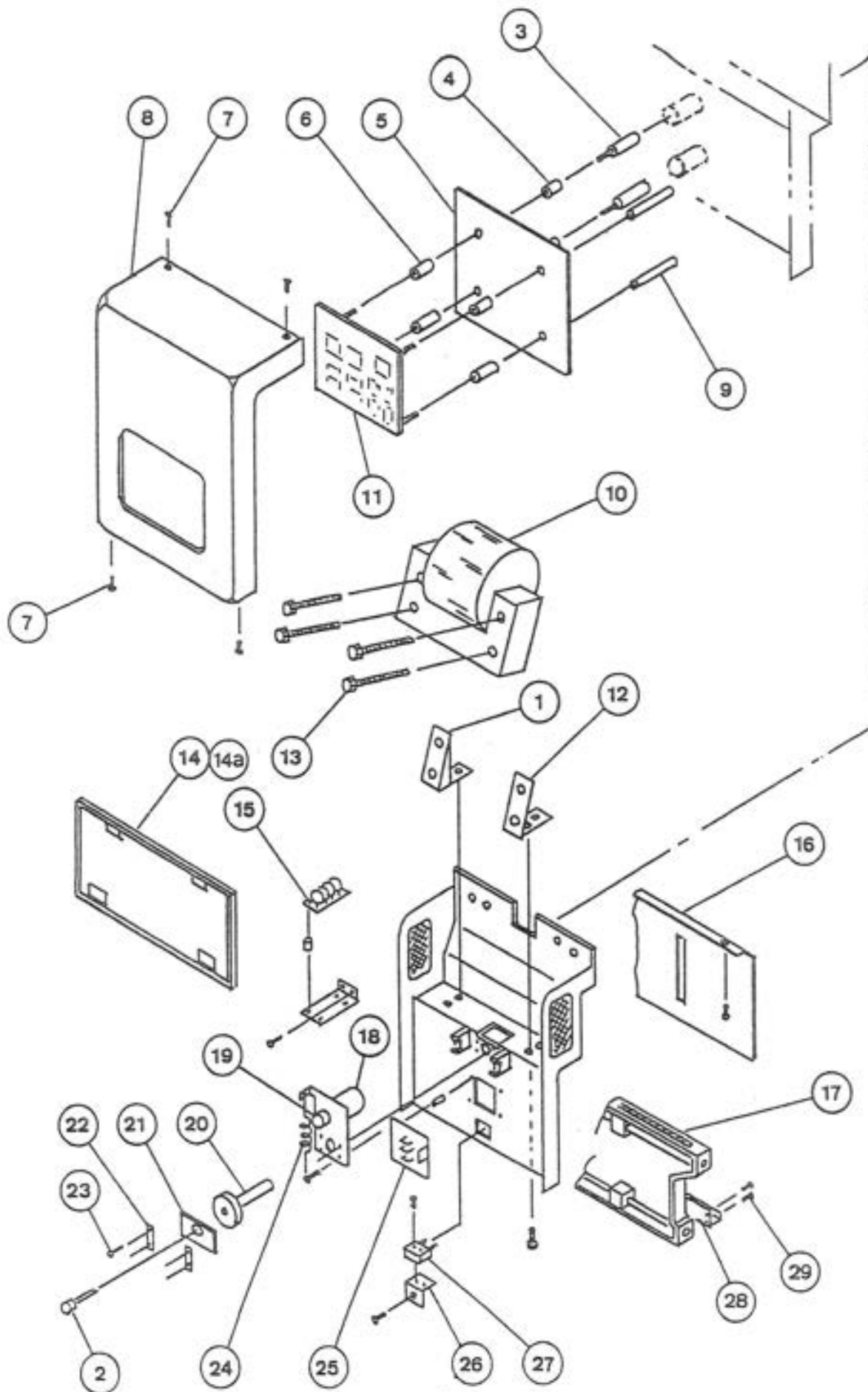
OPERATING UNIT ASSEMBLY - PART II



OPERATING UNIT ASSEMBLY - PART 2

INDEX NO.	PART NO.	DESCRIPTION
1	EX- 05010	DRIVING PULLEY (LARGE)
1a	EX- 05011	SQUARE TAPER PIN
2	EX- 05020	SCREW (M5 - 25)
3	EX- 05020	SCREW (M5 - 25)
4	EX- 05040	MOTOR FRAME
5	EX- 05050	CABLE COVER
6	EX- 05060	MOTOR PULLEY (A)
7	EX- 05070	MOTOR BRACKET
8	EX- 05080	SPRING FOR DRIVING UNIT MOTOR
9	EX- 05090	SHOULDER BOLT
10	EX- 05100	MOTOR FOR DRIVING UNIT
10a	EX- 05101	SCREW
11	EX- 05110	SCREW (M3 - 8)
12	EX- 05120	COVER PLATE
13	EX- 05130	GEAR STEM
14	EX- 05140	INTERNAL GEAR
15	EX- 05150	SENSOR (A)
16	EX- 05160	SENSOR (B)
17	EX- 05170	GEAR
18	EX- 05180	SCREW (M6 - 8)
19	EX- 05190	CN BOARD (C)
20	EX- 05200	FLAT WASHER
21	EX- 05210	BEARING
22	EX- 05220	OFFSET STEM
23	EX- 05230	SOCKETHEAD SCREW (M5 - 20)
24	EX- 04150	CN BOARD (B)
25	EX- 05250	COLLAR FOR BEARING STEM
26	EX- 05260	ROLL PIN
27	EX- 05270	SHAFT
28	EX- 04110	SOCKETHEAD SCREW (M4 - 40)
29	EX- 05290	STRAIGHT STEM

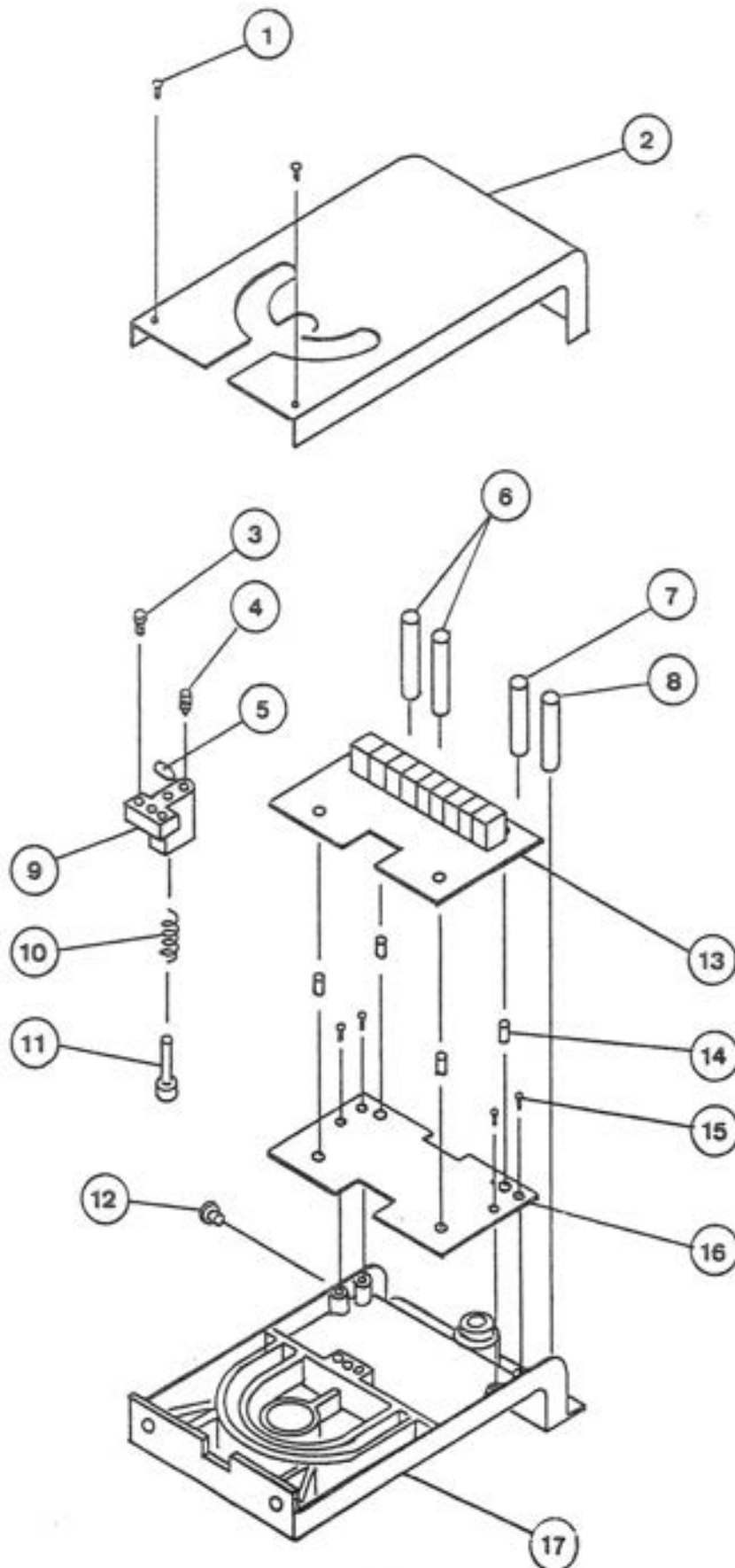
CONTROL UNIT ASSEMBLY (PART I)



CONTROL UNIT ASSEMBLY - PART 1

INDEX NO.	PART NO.	DESCRIPTION
1	EX- 06010	BRACKET (A)
2	EX- 06020	PULLEY SHAFT
3	EX- 06030	MOUNTING STUD FOR CPU BOARD
4	EX- 06040	INSTALLATION NUT
5	EX- 06050	CPU BOARD
6	EX- 06060	COLLAR FOR SHEET SWITCH
7	EX- 04010	SCREW (M3 - 10)
8	EX- 06080	COVER FOR CONTROLLER
9	EX- 06090	SPACING STUD
10	EX- 06100	AUTO-TRANSFORMER
11	EX- 06110	SHEET SWITCH ASSEMBLY
12	EX- 06120	BRACKET (B)
13	EX- 06130	SOCKETHEAD BOLT
14	EX- 06140	CASSETTE FOR PANORAMA & TMJ W/SCREEN
	EX- 06142	CASSETTE FOR PANORAMA & TMJ W/O SCREEN
14a	EX- 06141	INTENSIFYING SCREENS FOR PANORAMA
15	EX- 06150	PTC BOARD
16	EX- 06160	SHIELD PLATE
17	EX- 06170	CASSETTE HOLDER FOR PANORAMA
18	EX- 06180	MOTOR FOR CASSETTE HOLDER
19	EX- 06190	PULLEY (SMALL)
20	EX- 06200	PULLEY (LARGE)
21	EX- 06210	PULLEY BRACKET
22	EX- 06220	BRACKET HOLDER
23	EX- 06230	SCREW (M3)
24	EX- 06240	SPRING FOR CASSETTE HOLDER MOTOR
25	EX- 06250	PULSE MOTOR BOARD (B)
26	EX- 06260	SENSOR BRACKET
27	EX- 06270	PHOTO-SENSOR
28	EX- 06280	CASSETTE SUPPORT FOR PANORAMA
29	EX- 06290	SCREW (M3 - 6)

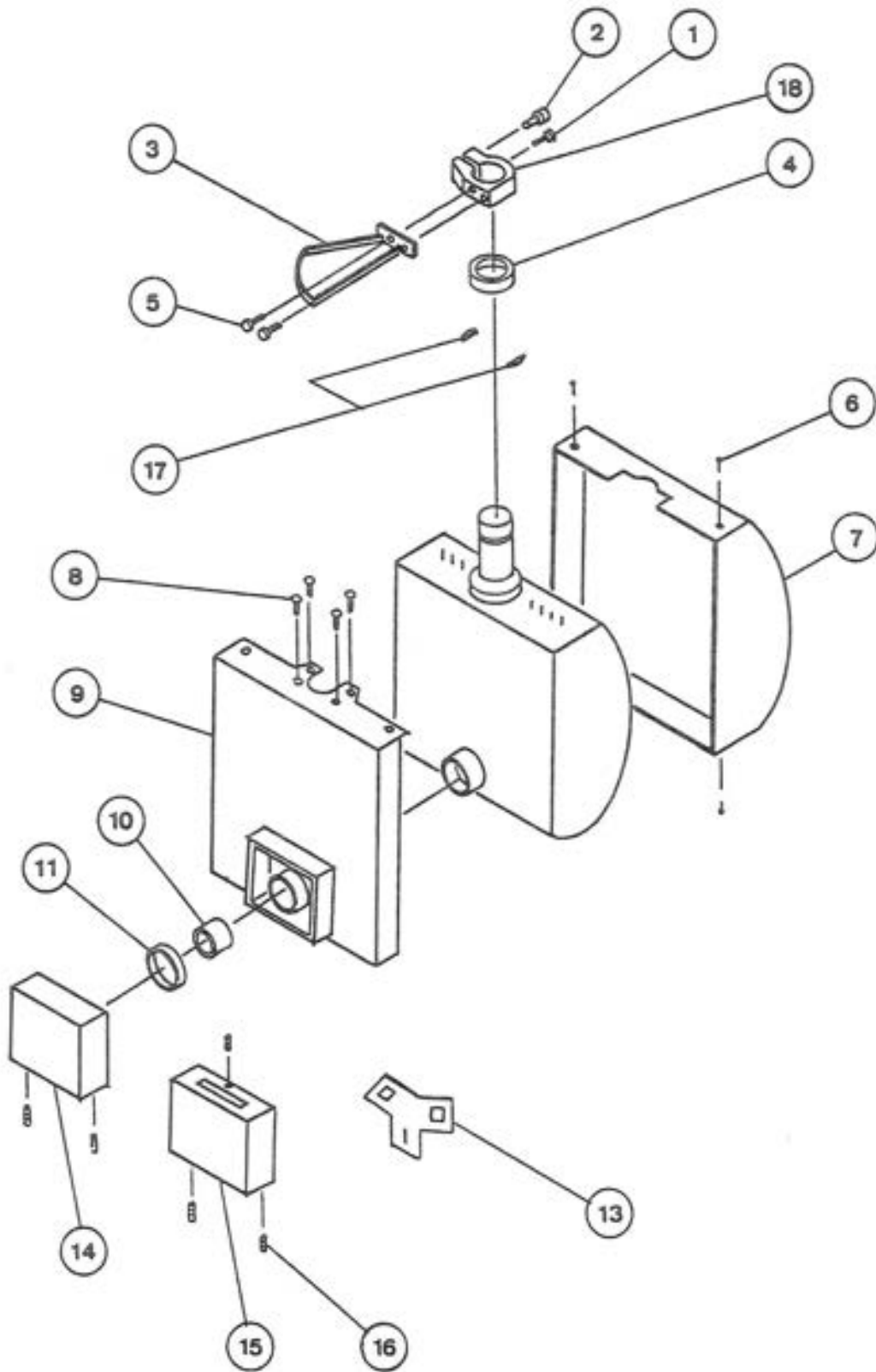
CONTROL UNIT ASSEMBLY (PART II)



CONTROL UNIT ASSEMBLY - PART 2

INDEX NO.	PART NO.	DESCRIPTION
1	EX- 04010	SCREW (M3 - 10)
2	EX- 07020	ROTATION UNIT COVER
3	EX- 07030	SOCKETHEAD SCREW (M5 - 25)
4	EX- 07040	BALL PLUNGER FOR EX-1000
	EX- 07041	BALL PLUNGER FOR EX-2000
5	EX- 07042	SET SCREW
6	EX- 07050	RESISTER 80 OHM 40 W
7	EX- 07070	RESISTER 20 OHM 40 W
8	EX- 07080	RESISTER 2 OHM 40 W
9	EX- 07090	HEAD FIXING BRACKET
10	EX- 07100	SPRING FOR HEAD FIXING SHAFT
11	EX- 07110	HEAD FIXING SHAFT
12	EX- 07120	RESET SWITCH
13	EX- 07130	POWER BOARD
14	EX- 07140	MOUNTING STUD FOR POWER BOARD
15	EX- 07150	SCREW (M3 - 12)
16	EX- 07160	BOARD MOUNTING PLATE W/PLASTIC COVER
17	EX- 07170	CONTROL UNIT HOUSING

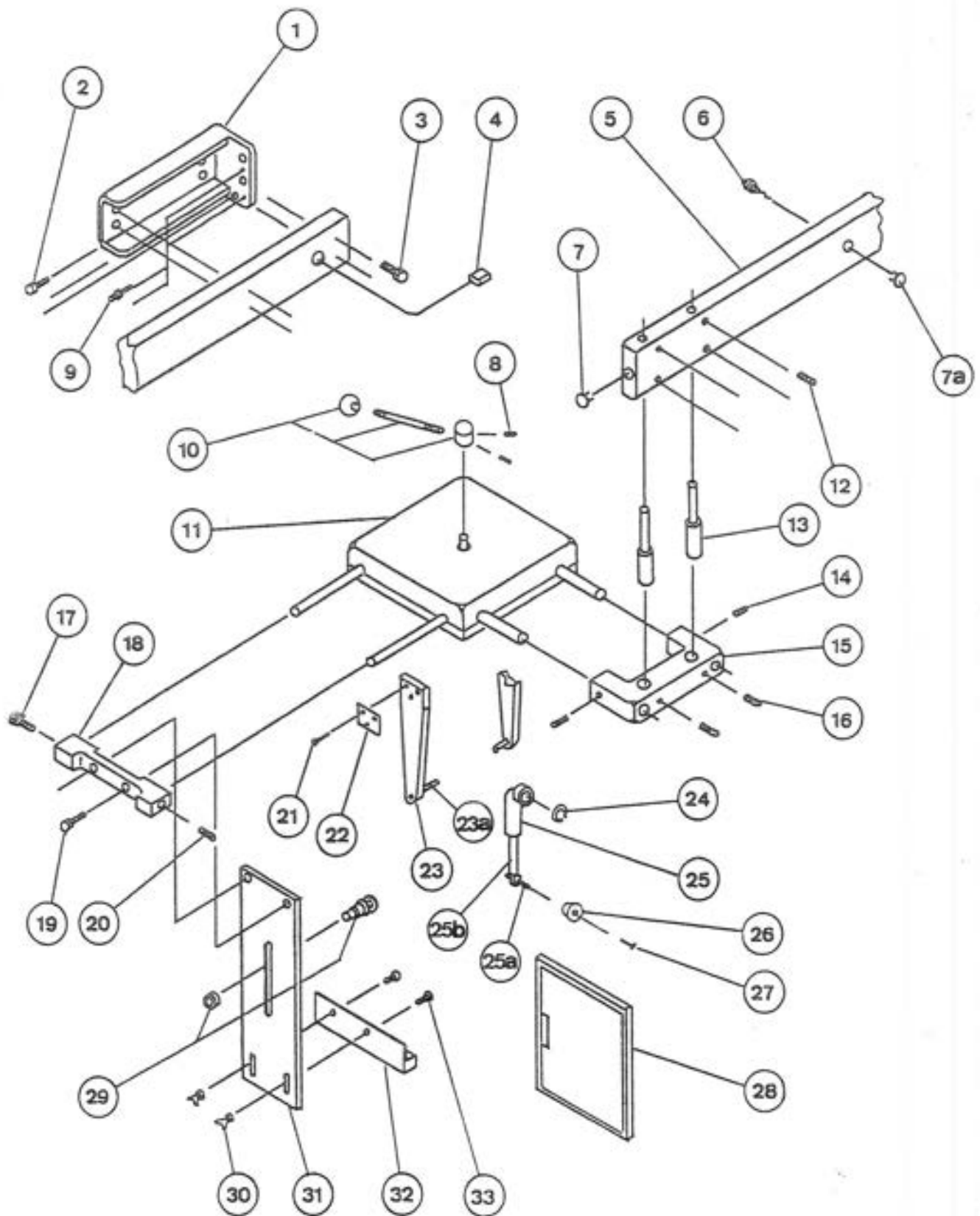
X-RAY HEAD ASSEMBLY



X-RAY HEAD ASSEMBLY (EX-08000)

INDEX NO.	PART NO.	DESCRIPTION
6-12, 14-16	EX- 08000	X-RAY HEAD ASSEMBLY
1	EX- 08010	SOCKETHEAD BOLT (M4 - 10)
2	EX- 08020	SOCKETHEAD BOLT (M5 - 20)
3	EX- 08030	ANGLE PLATE FOR STANDARD
	EX- 08040	ANGLE PLATE FOR CEPHALO LEFT
4	EX- 08050	SHAFT RING
5	EX- 08060	SOCKETHEAD BOLT (M5 - 10)
6	EX- 04010	SCREW (M3 - 10)
7	EX- 08080	X-RAY HEAD COVER
8	EX- 08090	SOCKETHEAD BOLT (M4 - 8)
9	EX- 08100	X-RAY HEAD HOUSING
10	EX- 08110	SHIELD TUBE
11	EX- 08120	MOUNTING RING
13	EX- 08130	BEAM LIMITING DEVICE RIGHT FOR EX-2000
	EX- 08130L	BEAM LIMITING DEVICE LEFT FOR EX-2000
14	EX- 08140	BEAM LIMITING DEVICE FOR EX-1000
15	EX- 08160	HOUSING FOR B. L. D. FOR EX-2000
16	EX- 08170	SOCKETHEAD SCREW
17	EX- 08180	WOODRUFF KEY
18	EX- 08190	ANGLE PLATE MOUNTING BRACKET

CEPHALOMETRIC DEVICE ASSEMBLY



CEPHALOMETRIC DEVICE ASSEMBLY

INDEX NO.	PART NO.	DESCRIPTION
1	EX- 09010	ARM MOUNTING BRACKET
2	EX- 09020	SOCKETHEAD BOLT (M5 - 25)
3	EX- 01060	SOCKETHEAD BOLT (M5 - 15)
4	EX- 09040	WIRE (B) FOR LOCK SWITCH
5	EX- 09050	CEPHALO ARM
6	EX- 09060	LOCK SWITCH ON CEPH ARM
7	EX- 09070	HOLE PLUG (B)
7a	EX- 09080	HOLE PLUG (C)
8	EX- 03110	SET SCREW (M4 - 8)
9	EX- 02130	TAPER PIN
10	EX- 09100	EAR HOLDING ROD ADJUSTER
11	EX- 09110	CEPHALOSTAT ASSEMBLY
12	EX- 09120	SET SCREW (M4 - 8)
13	EX- 09130	SUPPORTING ROD
14	EX- 09120	SET SCREW (M4 - 8)
15	EX- 09150	MOUNTING BRACKET
16	EX- 09160	SET SCREW (M4 - 18)
17	EX- 09190	STOPPER SCREW
18	EX- 09180	CASSETTE HOLDER BRACKET
19	EX- 02080	SOCKETHEAD SCREW (M4 - 15)
20	EX- 03110	SET SCREW (M4 - 6)
21	EX- 09210	SCREW (M4 - 16)
22	EX- 09220	EAR ROD SUPPORT PLATE
23	EX- 09170	EAR HOLDING ROD
23a	EX- 09171	EAR ROD ONLY
24	EX- 09200	C-RING (C-28)
25	EX- 09230	FOREHEAD REST ASSEMBLY
25a	EX- 09231	FOREHEAD REST ROD
25b	EX- 09232	SHAFT FOR HEADREST PAD
26	EX- 09260	HEADREST PAD
27	EX- 09270	SCREW (POLY-CARBONATE)
28	EX- 09240	CASSETTE FOR CEPHALO
29	EX- 09290	CASSETTE HOLDER FOR CEPHALO
30	EX- 09300	WING NUT (M4)
31	EX- 09310	CASSETTE HOLDING PLATE
32	EX- 09320	CASSETTE SUPPORT FOR CEPHALO
33	EX- 09330	SCREW (M4 - 18)

BASE PLATE SECTION (OPTIONAL) EX-90110

INDEX NO.	PART NO	DESCRIPTION
1	EX- 90100	BASE PLATE ONLY
2	EX- 90104	SET SCREW (3/16" - 16 1/2")
3	EX- 90105	MOUNTING CAP BOLT (3/8" - 16 7/8")
4	EX- 90120	BASE MAT
6	EX- 90101	ADJUST PLATE (1/8" THICK)
7	EX- 90102	ADJUST PLATE (1/4" THICK)

