



EX-2000

Panoramic & Cephalometric X-Ray

OPERATOR'S
MANUAL

The Belmont logo consists of a stylized square icon with a smaller square inside, positioned to the left of the brand name.

Belmont[®]

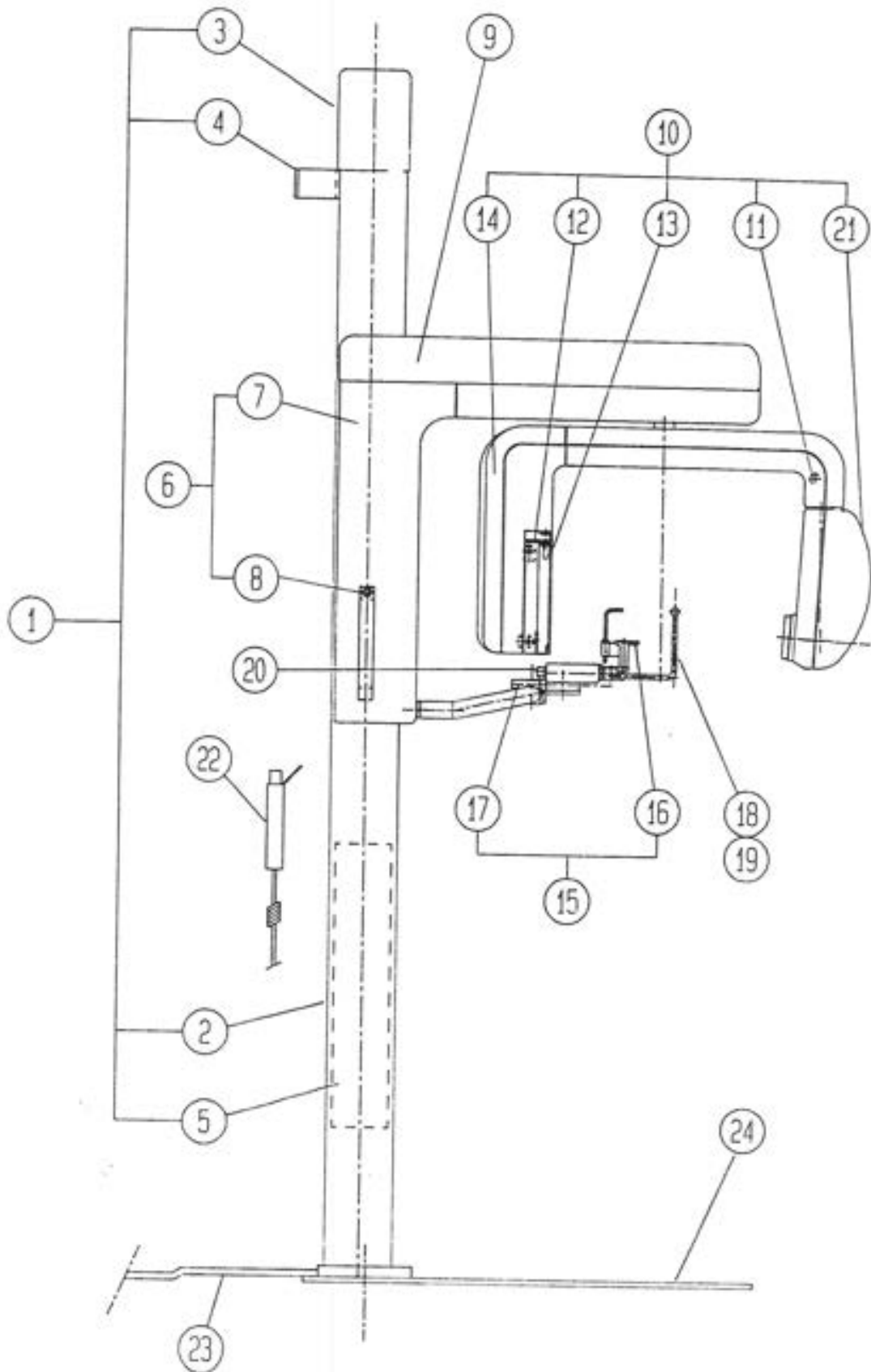
I N D E X

MAJOR PARTS IDENTIFICATION	2
LAYOUT OF CONTROLS	4
FUNCTION OF CONTROLS	5
PATIENT POSITIONING CONTROLS & FUNCTIONS	6
PATIENT POSITIONING	7
OPERATING PROCEDURES	9
TECHNICAL DATA	13
MAINTENANCE AND MAINTENANCE RECORD	15

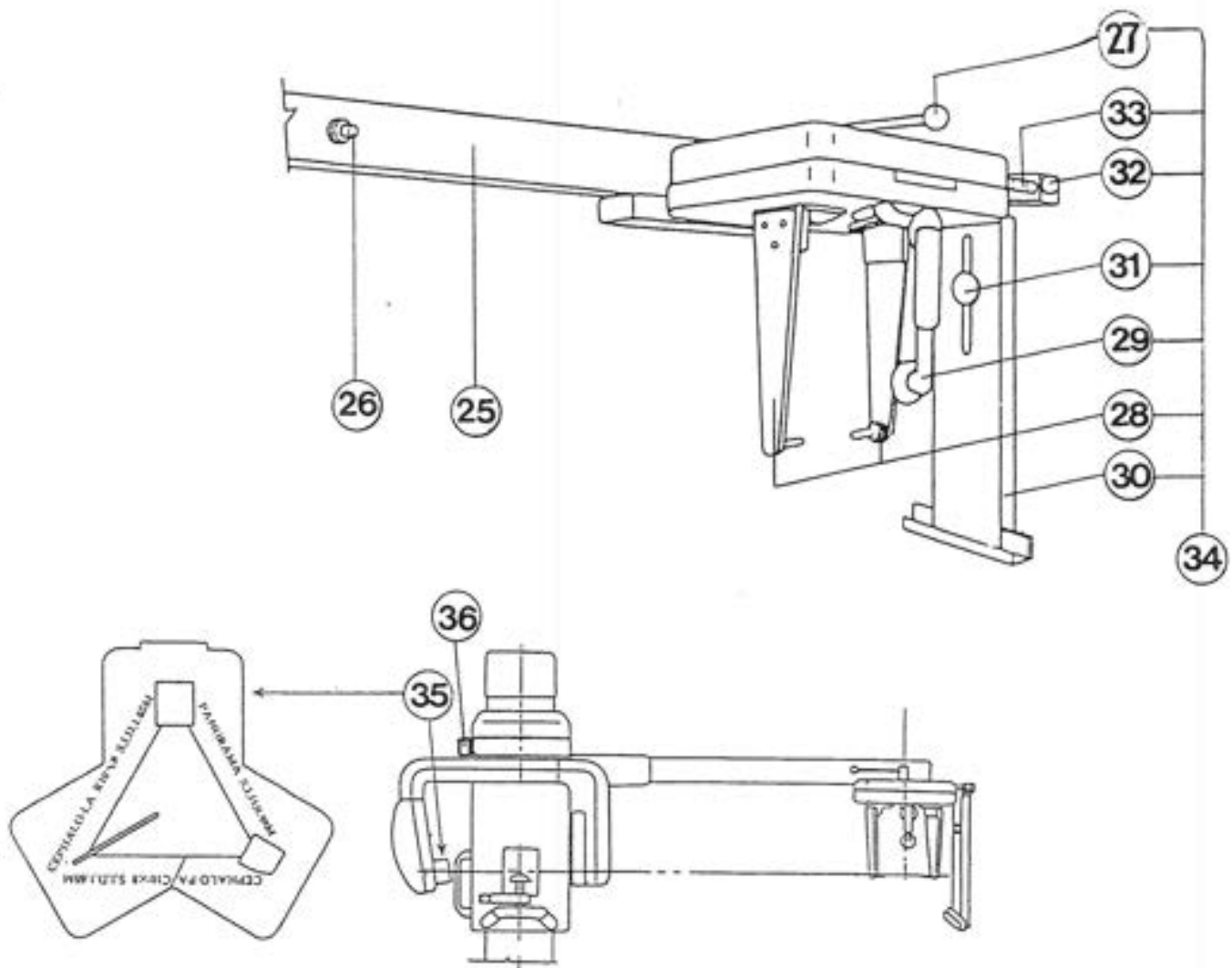
OBLIGATION OF THE USER

IT IS THE RESPONSIBILITY OF THE USER TO MAINTAIN THE EQUIPMENT IN COMPLIANCE BY FOLLOWING THE MANUFACTURER'S RECOMMENDED MAINTENANCE SCHEDULE. FAILURE OF THE USER TO PROPERLY MAINTAIN THE EQUIPMENT MAY RELIEVE THE MANUFACTURER, OR HIS AGENT, FROM RESPONSIBILITY FOR ANY INJURY, DAMAGE OR NON-COMPLIANCE, WHICH MAY RESULT.

MAJOR PARTS IDENTIFICATION



MAJOR PARTS IDENTIFICATION



ID No. DESCRIPTION

1	Column Assembly
2	Column
3	Top Cover
4	Wall Bracket
5	Counterweight
6	Sliding Unit Assembly
7	Sliding Unit Body
8	Electro-Magnetic Lock Switch
9	Driving Unit Cover
10	Rotation Unit Assembly
11	Reset Switch
12	Cassette Holder Assembly
13	Shield Plate
14	Cover for Controller
15	Chinrest Assembly
16	Chinrest
17	Chinrest Adjuster Knob
18	Head Holding Rod (for panorama)

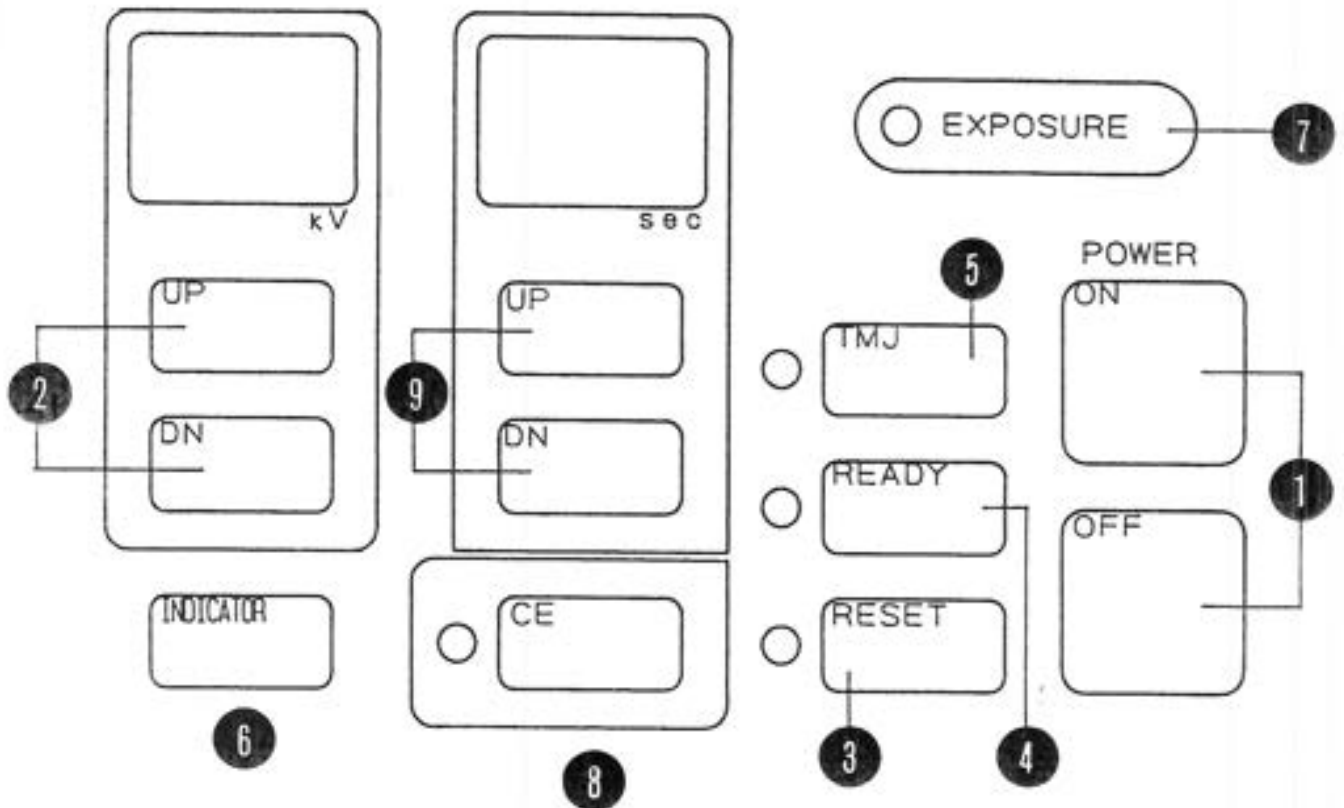
ID No. DESCRIPTION

19	Ear Holding Rod (for TMJ)
20	Holding Rod Adjuster Knob
21	X-ray Head Assembly
22	Exposure Switch
23	Power Supply Cable
24	Base Plate (option)
25	Cephalostat Arm
26	Electro-Magnetic Lock Switch
27	Ear Holding Rod Adjuster Knob
28	Ear Holding Rod (for Cephalo)
29	Forehead Rest
30	Cassette Holder
31	Cassette Holder Knob
32	Cassette Position Lock
33	Cassette Position Scale
34	Cephalostat Assembly
35	Beam Limiting Device
36	Rotation Lock

LAYOUT OF CONTROLS

□ BELMONT
10mA

WARNING THIS X-RAY UNIT MAY BE
DANGEROUS TO PATIENT AND OPERATOR UNLESS
SAFE EXPOSURE FACTORS AND OPERATING
INSTRUCTIONS ARE OBSERVED



FUNCTION OF CONTROLS

① MAIN POWER "ON" & "OFF" SWITCHES

Depressing POWER "ON" switch will turn the main power ON.

NOTE: Indicators show standard conditions of 75 kVp and 12 sec. when the main power is turned ON.

② kVp "UP" & "DN" SWITCHES

Tube potential can be adjusted by depressing "UP" or "DN(Down)" switch between 60 - 90 kVp by 5 kVp increment or decrement.

③ RESET SWITCH

Depressing this switch moves X-ray Head assembly and Cassette Holder to the starting position for panoramic or TMJ radiography.

NOTE: The switch located on the Rotation Arm has the same function. Refer to page 2. I.D. No.11.

④ READY SWITCH

Depress this switch after all the radiographing conditions are set, film cassette is mounted and patient is properly positioned.

An exposure can be made after the indicator lamp flashes three times and stays lit.

READY switch should be activated again after first exposure of TMJ radiography.

NOTE 1: In panoramic mode, READY switch turns ON only when the x-ray head assembly and the cassette holder are at Starting Position.

NOTE 2: In cephalometric mode, prior to depressing READY switch, it must be sure that the rotation arm is locked in the Cephalo position and the proper beam limiting device is selected.

NOTE 3: READY status will be cancelled unless an exposure starts within 15 seconds. (If you are making an exposure after 15 seconds, depress the READY switch again.)

NOTE 4: READY switch will not function for 15 seconds after the main power switch is turned ON.

⑤ TMJ SWITCH

TMJ radiography can be made by depressing this switch.

⑥ INDICATOR SWITCH

By depressing INDICATOR switch, following three beam lines are available for 50 seconds.

1. Median Line
2. Frankfort Line
3. Focal Trough Line

⑦ EXPOSURE INDICATOR

This lamp will remain illuminated while x-ray is being generated.

⑧ CEPHALOMETRIC SWITCH

By depressing this switch, cephalometric mode can be selected.

⑨ SEC. "UP" & "DN" SWITCHES

Exposure time can be adjusted by depressing "UP" or "DN" switches.

PATIENT POSITIONING CONTROLS & FUNCTIONS

- (1) CHINREST ASSEMBLY
 - (A) CHINREST
 - Plastic piece for patient to rest chin on during procedure.
 - (B) CHINREST ADJUSTER KNOB
 - Turning this knob clockwise or counter-clockwise moves the whole chinrest assembly forward or backward through the focal trough.
 - (C) BITE PIECE
 - Plastic piece with a groove on the top and bottom that the patient fits upper and lower anterior teeth into and bites down.
- (2) HEAD SUPPORTING ASSEMBLY
 - (A) HEAD HOLDING RODS(for PANORAMIC)
 - Two plastic pieces to hold the sides of the patient's head.
 - (A') EAR HOLDING RODS(for TMJ)
 - Two plastic pieces with ear piece to hold the patient's head.
 - (B) HOLDING RODS ADJUSTER KNOB
 - To open or close Head Holding Rods or Ear Holding Rods.
- (3) INDICATING BEAMS ADJUSTERS
 - (A) FRANKFORT PLANE INDICATOR BEAM ADJUSTING LEVER
 - Located on Sliding unit front, beside the Mirror.
 - By sliding this lever, Frankfort Plane Indicator Beam moves up/down.
 - (B) FOCAL TROUGH INDICATOR BEAM ADJUSTING KNOB
 - Located on Chinrest Ass'y.(opposite side of Chinrest Adjuster knob)
 - By rotating this knob, Focal Trough Indicator Beam moves up/down.
- (4) ELECTRO-MAGNETIC LOCK SWITCH (OVERHEAD CARRIAGE RELEASE SWITCH)
 - Located on upper portion of Grip of Sliding Unit (for panoramic patient positioning), and also on Cephalostat Arm (for cephalometric patient positioning).
 - While the main power is ON, the entire Overhead Carriage and Cephalostat Ass'y are electro-magnetically locked at the position.
 - By depressing this switch, Overhead Carriage and Cephalostat ass'y can be free and moved up/down. They can be locked at the place where the switch is released.
- (5) CEPHALOSTAT ASSEMBLY
 - (A) EAR HOLDING RODS (for CEPHALOMETRIC)
 - Two plastic pieces with ear piece to hold and align the patient's head during Cephalometric radiography.
 - (B) EAR HOLDING RODS ADJUSTER LEVER
 - This lever adjusts symmetrical spacing of Ear Holding Rods for accurate positioning of patient within Cephalostat.
 - (C) FOREHEAD REST
 - Once proper patient position is established, use this plastic piece for patient to rest Forehead and to stay in position.
 - Forehead Rest can be flipped upward when not in use.
 - (D) CASSETTE HOLDER, CASSETTE HOLDER LOCK AND CASSETTE POSITION SCALE
 - This lock maintains the film cassette on the holder in position relative to patient centerline. Since this distance affects magnification ratio, the setting records are recommended to be kept.

PATIENT POSITIONING

[1] PANORAMIC RADIOGRAPHY

- a) Open the Head Holding Rods fully.
- b) Adjust the height of Chinrest by moving Overhead Carriage up/down, so that the patient can stand upright and rest the chin on Chinrest.
- c) Depress Indicator Switch on Control Panel.
Three Indicator beams come ON.

(1) Frankfort Plane

- Adjust beam height so that the beam hits the patient's miniscule of the ear (hole).
- Then adjust the patient's head as to beam indicates Frankfort Plane (from miniscule of the ear to bottom of the eye orbit).

NOTE1: If the chin is left too low, the x-ray of the dental arch will look something like a "smiling" line relationship.

NOTE2: If the chin is left too high, the x-ray of the dental arch will show a "frowning" line relationship.

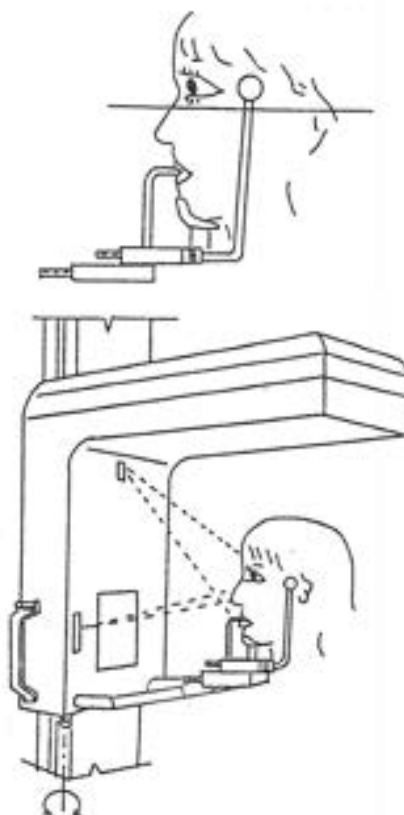
(2) Median Line

- Adjust the patient's head so that the Median Line Beam comes to the center line of the patient's face.

(3) Focal Trough Line Beam

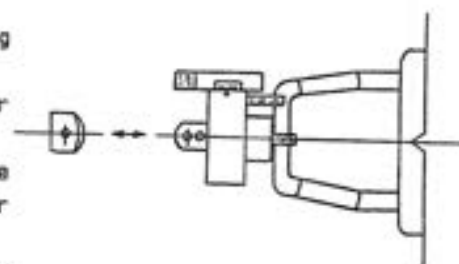
- This is the MOST IMPORTANT point to obtain the best radiographs.
- Adjust the beam height so that the beam comes approximately at lip end.
- Then adjust Chinrest forward or backward so that indicator beam falls at cuspid.

- d) Close the Head Holding Rods to support the patient's head.
- e) Patient is now positioned for a panoramic exposure.



[2] TMJ RADIOGRAPHY

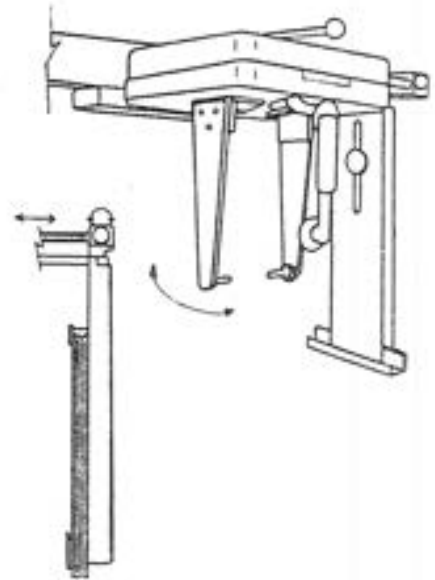
- a) Remove the Chinrest and replace Head Holding Rods with Ear Holding Rods.
Open the Ear Holding Rods fully. Then enter the patient into the machine.
- b) Move the Ear Holding Rods forward so that the scale shows 20mm forward from the center mark.
- c) Adjust the height of Ear Ear Holding Rods by moving Overhead Carriage up/down, so that the patient can stand upright.
- d) Depress Indicator Switch on Control Panel. Indicator beams come ON.
 - (1) Frankfort Plane
 - Refer to [1] PANORAMIC RADIOGRAPHY. Item c) (1).
 - (2) Median Line
 - Refer to [1] PANORAMIC RADIOGRAPHY. Item c) (2).
- e) Carefully close the Ear Holding Rods to support the patient's head.
- f) Patient is now positioned for TMJ exposures.



PATIENT POSITIONING

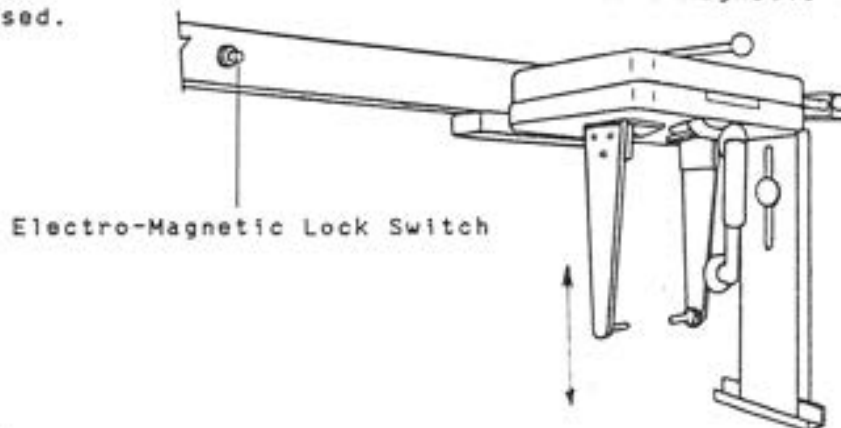
[3] CEPHALOMETRIC RADIOGRAPHY

- a) Select the Ear Holding Rods direction.
- (1) Turn the Rods toward the desired direction until they come to the proper position for lateral, postero-anterior or oblique views.
 - (2) The Rods direction can be selected through every 45 degrees.

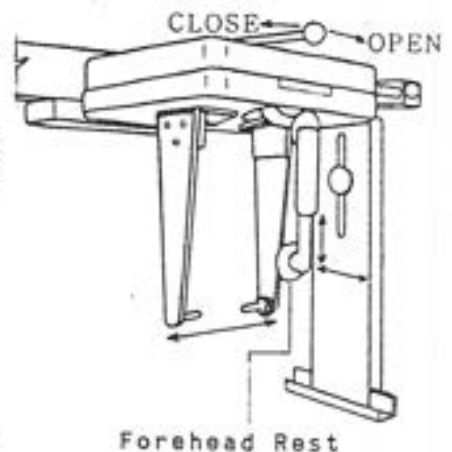


- b) Adjust the position of the Cassette Holder.
- (1) Loosen the Cassette Position Lock and move the Cassette Holder to its proper position.
 - (2) The Cassette Position Scale indicates the distance from the median line to the film cassette. Normally it is set to 15 cm. (Magnification is 1.1 times at this position.)

- c) Adjust the height of the Cephalostat Assembly by moving the Cephalostat Arm up/down with the Electro-Magnetic Lock Switch depressed.



- d) Open the Ear Holding Rods fully. Then enter the patient into the Cephalostat Assembly.
- e) Tune the height of the Ear Holding Rods so that the patient can stand upright.
- f) Carefully close the Ear Holding Rods to support the patient head and to retain correct alignment.
- g) Slide the Forehead Rest up/down and back/forth so that the patient can rest gently against it with their line of sight approximately parallel to the floor.
- h) Patient is now positioned for a cephalometric exposure.



OPERATING PROCEDURE

[1] PANORAMIC & TMJ RADIOGRAPHY

- a) Select the proper Beam Limiting Device for a panoramic exposure and insert it into the slot on the cone of x-ray head.
- b) Mount a loaded cassette on the cassette holder.
- c) Turn the unit ON.
- d) Depress the Reset switch on the control panel and wait for the Reset light to go out. The unit is now at Starting position.
- e) Position patient as described on page 7, "PATIENT POSITIONING".
- f) Select the technique factors with regard to the Technique Factor Table on page 10, considering the patient size.



NOTE 1: When the unit is turned ON, each technique factor is automatically set at standard conditions of 75 kVp, 12 seconds in Panoramic mode and 75 kVp, 15 seconds in TMJ mode.

NOTE 2: For TMJ Radiography, prior to the technique factor selection, depress the TMJ Switch on the control panel.

- g) Depress the Ready Switch on the control panel and wait for the Ready light to stay ON.
- h) Take the Exposure Switch on the coiled cord to a safe operator's position (as defined by your state's x-ray protection statutes).
- i) Instruct the patient to do the following:
 - (1) Relax this takes only 12 seconds (Panoramic mode).
 - (2) Swallow the air in your mouth and breath through your nose.
 - (3) Place your tongue on the roof of your mouth.
 - (4) Here we go.

NOTE: In case of TMJ Radiography, disregard the instructions above, and refer to k-1) on page 10.

- j) Depress the Exposure Switch. When the switch is depressed, the Exposure Warning Lamp will illuminate and the audible warning will sound. Do not release the Exposure Switch until the audible warning and the warning lamp terminates. Failure to keep the Exposure Switch depressed will result in the exposure being terminated prematurely.

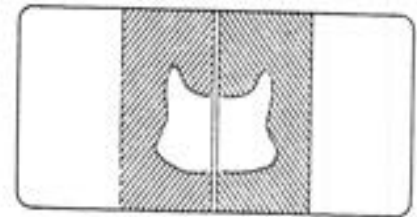
NOTE: TMJ Radiography (quarterly divided) consists of a series of two exposures, 1st exposure for the diagnosis of TMJ with mouth closed and 2nd exposure for TMJ with mouth open. Exposure procedures for a series of two exposures are described from k-1) to k-3) on page 10.

OPERATING PROCEDURE

[1] PANORAMIC & TMJ RADIOGRAPHY (continued)

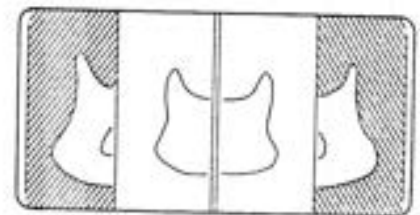
- k-1) Instruct the patient that TMJ Radiography consists of two consecutive exposures and the following cooperation is needed;
- (1) Relax this takes approx. 15 seconds for each excursion.
 - (2) During the excursion, breath through your nose.
 - (3) During the first excursion, close your mouth.
 - (4) During the second excursion, open your mouth.
 - (5) Here we go.

- k-2) Depress the Exposure Switch. While the x-ray is generated, the Exposure Warning Lamp will illuminate and the audible warning will sound. Do not release the Exposure Switch until the first excursion ends and the unit starts to return. Failure to keep the Exposure Switch depressed will result in the exposure being terminated prematurely.



first exposure

- k-3) Depress the Ready Switch on the control panel again and wait for the Ready light to stay ON. Then depress the Exposure Switch again for the 2nd exposure and keep it depressed until the excursion is completed.



2nd exposure

- l) After use, turn the Main Power Switch OFF to prevent accidental exposures.
- m) Carefully help patient out of the unit.
- n) Remove cassette and develop film.

STANDARD TECHNIQUE FACTOR

A G E	S E X	K V	M A
4 - 10	-	60 - 65	10
11 - 15	-	65 - 70	10
ADULT	FEMALE	70 - 75	10
ADULT	MALE	75 - 80	10

FILM: KODAK T-MAT G FILM (TMG)

INTENSIFYING SCREENS: KODAK LANEX REGULAR

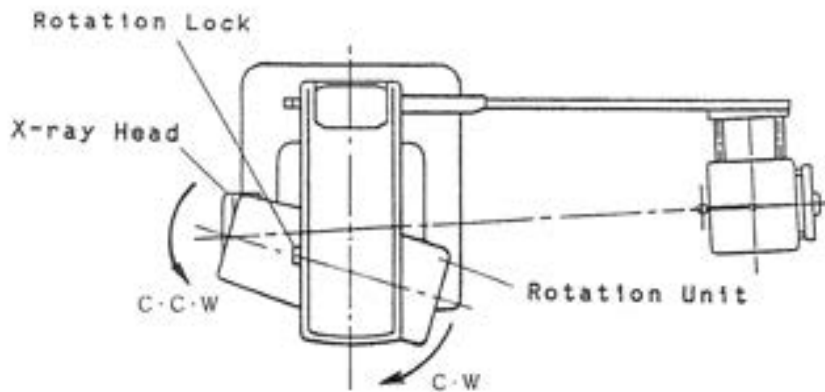
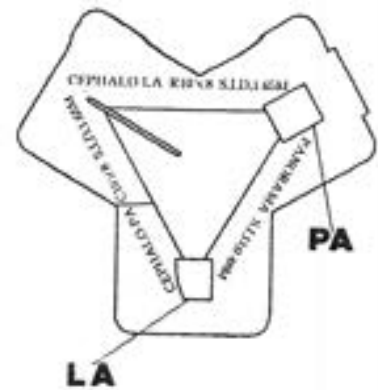
DEVELOPING: 20° (68° F), 4 MINUTES IN TANK

27° (81° F), 5 MINUTES WITH AUTOMATED PROCESSORS

OPERATING PROCEDURE

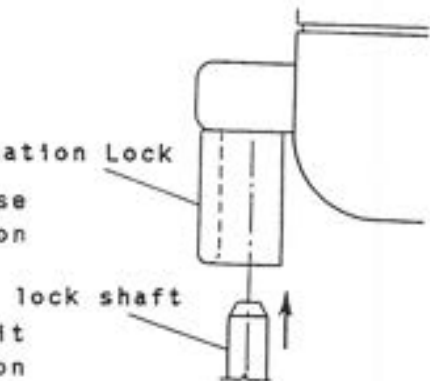
[2] CEPHALOMETRIC RADIOGRAPHY

- a) Select the proper Beam Limiting Device for a cephalometric exposure, either Lateral aperture or Postero-Anterior aperture, and insert it into the slot on the cone of x-ray head.
- b) Bring the Rotating Unit clockwise to Cephalometric Position.



- c) Twist the X-ray Head Assembly counter-clockwise and engage the lock to secure the Rotation Unit in Cephalometric Position.

NOTE: The Rotation Lock on the Driving Unit frame shall be aligned with the hole, on the Rotation Unit plastic cover, where the lock shaft comes outof.



- d) Lift the Cassette Holder Knob and set a loaded cassette on the Cassette Holder.
- e) Turn the unit ON.
- f) Position patient as described on page 8, "PATIENT POSITIONING".
- g) Depress the Cephalometric Switch and select the technique factors with regard to the Technique Factor Table on page 12, considering the patient size.

NOTE: When the Cephalometric mode is selected, each technique factor is automatically set at standard conditions of 80 kVp, 1.2 seconds .

- h) Depress the Ready Switch on the control panel and wait for the Ready light to stay ON.
- i) Take the Exposure Switch on the collod code to a safe operator's position (as defined by your state's x-ray protection statutes).

OPERATING PROCEDURE

[2] CEPHALOMETRIC RADIOGRAPHY

- j) Depress the Exposure Switch. When the switch is depressed, the Exposure Warning Lamp will illuminate and the audible warning will sound. Do not release the Exposure Switch until the audible warning and the warning lamp terminates. Failure to keep the Exposure Switch depressed will result in the exposure being terminated prematurely.
- k) After use, turn the Main Power Switch OFF to prevent accidental exposures.
- l) Carefully help patient out of the unit.
- m) Remove cassette and develop film.

STANDARD TECHNIQUE FACTOR FOR CEPHALOMETRIC MODE

A G E	V I E W	K V	M A	E X P . T I M E
4 - 5	P A	75	10	0.7
	L A			0.3
6 - 10	P A	75	10	1.0
	L A			0.4
11 - 15	P A	80	10	1.2
	L A			0.5
16 - 18	P A	80	10	1.2
	L A			0.5
ADULT (Female)	P A	80	10	1.2
	L A			0.5
ADULT (Male)	P A	85	10	1.2
	L A			0.7

NOTE 1: FILM.....KODAK T-MAT G FILM (TMG 8"X 10")

SCREENS.....KODAK LANEX REGULAR

DEVELOPING...32° C(90° F), 3.5 MINUTES BY AUTOMATIC DEVELOPER

NOTE 2: EXPOSURE TIME MAY VARY ± 20%, DEPENDING ON THE INDIVIDUAL PATIENT SIZE.

EXPOSURE TIME RANGE IS FROM 0.3 SEC. TO 3.2 SEC. IN 15 STEPS.

(0.3, 0.4, 0.5, 0.6, 0.7, 0.8, 1.0, 1.2, 1.4, 1.6, 1.8, 2.0,

2.4, 2.8 AND 3.2 SEC.)

TECHNICAL DATA

1. Maximum rated peak tube potential 90 kVp
2. Rated peak tube potential 60 - 90 kVp (5kVp in 7steps)
3. Rated tube current 10 mA
4. Rated line voltage 120 VAC
5. Line voltage range 110 - 130 VAC
6. Range of line voltage regulation 1 - 3 %
7. Maximum rated line current 10 A at 90 kVp, 10 mA
8. Exposure time 12 sec. at panoramic mode
15 sec. at TMJ mode
0.3 - 3.2 sec. (15 steps) at cephalometric mode
9. Minimum filtration 2.6 mmAl
10. Focal point measurement 1.0 mm X 1.0 mm
NOTE: Effective focal spot size 0.5 mm X 1.0 mm
11. S.I.D. 490 mm at panoramic & TMJ mode
1650 mm at cephalometric mode
12. Duty cycle 1:15 (refer to NOTE below)
NOTE: The exposure time in panoramic mode is 12 sec., therefore, 3 min. interval or "Non Use" period requires the user to wait before making another exposure. Because of the 15 sec. exposure time in TMJ mode, 3.75 min. waiting time must be allowed after each series of 2 exposures.
13. Leakage technique factor 90 kVp, 0.63 mA
NOTE: 0.63 mA is maximum rated continuous current for 10 mA with a duty cycle of 1: 15.
14. Film size 6 inch X 12 inch (panorama)
8 inch X 10 inch (cephalo)
15. Magnification rate 1.25 (panorama), 1.1 (cephalo)
16. Tomographic orbit Single axis, continuous rotation
17. Nominal roentogen output at the end of beam limiting device*
 - a. Panoramic mode: 2.3 R/12 sec. \pm 40% at 90 kVp, 10 mA
 - b. TMJ mode : 2.9 R/15 sec. \pm 40% at 90 kVp, 10 mA
 - c. Cephalo. mode : 17.5 mR/sec. \pm 40% at 90 kVp, 10 mA
 NOTE: Item a. & b. @ 450 mm from focal spot.
Item c. @ 1500 mm from focal spot.

TECHNICAL DATA

18. Half value layer*
 - a. Approx. 3.3 mmAl equiv. at 90 kVp
 - b. Approx. 2.4 mmAl equiv. at 60 kVp
19. Maximum deviation of tube potential and tube current*
 - a. Tube potential: the selected kVp \pm 15 %
 - b. Tube current : 10 mA \pm 10 %

*NOTE: APPROX. VARIATION MAY BE REALIZED TO MEASUREMENT INSTRUMENTATION, MANUFACTURING TOLERANCES, AGE, INSTALLATION VARIABLES, AND USE HISTORY.

20. Timer accuracy: \pm 5%(at Panoramic mode), \pm 6%(at Cephalometric mode)
21. Measurement basis of technique factors

- a. Peak tube potential

The potential difference across the x-ray tube during the conducting half cycle and results in an accuracy tolerance of \pm 15 %, except as stated below;

- 1- FOR PANORAMIC(On Time - 12 sec.) AND TMJ (On Time - 15 sec.)
From 0 - 0.3 sec., kVp may vary +35/-45 %
- 2- FOR CEPHALOMETRIC (15 steps, 0.3 - 3.2 sec.)
From 0 - 0.1 sec., kVp may vary \pm 30 %

- b. Tube current

The average mA value during a complete power line cycle, results in an accuracy tolerance of \pm 10 %, except as stated below:

- 1- FOR PANORAMIC(On Time - 12 sec.) AND TMJ (On Time - 15 sec.)
From 0 - 0.09 sec., mA may vary +150/-100 %
From 0.1 - 0.19 sec., mA may vary +100/- 75 %
From 0.2 - 0.3 sec., mA may vary + 35/- 45 %
- 2- FOR CEPHALOMETRIC (15 steps, 0.3 - 3.2 sec.)
From 0 - 0.1 sec., kVp may vary \pm 50 %

- c. Exposure time

Impulse time is directly related to power line frequency. Exposure time applies from the beginning of first conducting line impulse to the end of last impulse, results in an accuracy tolerance of \pm 5 % at Panoramic mode and \pm 6% at Cephalometric mode, except as stated below:

- 1- FOR CEPHALOMETRIC
From 0.3 - 0.5 sec., exposure time may vary \pm 2 pulses
From 0.6 - 0.8 sec., exposure time may vary \pm 3 pulses

MAINTENANCE

MODEL X-CALIBER CM panoramic/cephalometric x-ray unit requires the following periodic maintenance checks being performed to ensure the unit is functioning within the manufacturer's specifications.

It is the responsibility of the owner of the unit to see that these maintenance checks are done once every 6 months and that they are performed by a trained, certified service technician.

The specific instructions to perform these checks are located within the X-CALIBER CM installation manual.

- A. Line Voltage and Line Voltage Regulation test
- B. Tube Current test
- C. Exposure Time test
- D. X-ray Field Size and Alignment test (panoramic & cephalometric)

MAINTENANCE RECORD

Date of installation _____ / _____ / _____ By _____

PERIOD	CHECKED DATE	CHECKED ITEMS	CHECKED BY
6-Month	____ / ____ / ____	A B C D <input type="checkbox"/> <input type="checkbox"/> <input type="checkbox"/> <input type="checkbox"/>	_____
1-Year	____ / ____ / ____	A B C D <input type="checkbox"/> <input type="checkbox"/> <input type="checkbox"/> <input type="checkbox"/>	_____
18-Month	____ / ____ / ____	A B C D <input type="checkbox"/> <input type="checkbox"/> <input type="checkbox"/> <input type="checkbox"/>	_____
2-Year	____ / ____ / ____	A B C D <input type="checkbox"/> <input type="checkbox"/> <input type="checkbox"/> <input type="checkbox"/>	_____
30-Month	____ / ____ / ____	A B C D <input type="checkbox"/> <input type="checkbox"/> <input type="checkbox"/> <input type="checkbox"/>	_____
3-Year	____ / ____ / ____	A B C D <input type="checkbox"/> <input type="checkbox"/> <input type="checkbox"/> <input type="checkbox"/>	_____
42-Month	____ / ____ / ____	A B C D <input type="checkbox"/> <input type="checkbox"/> <input type="checkbox"/> <input type="checkbox"/>	_____
4-Year	____ / ____ / ____	A B C D <input type="checkbox"/> <input type="checkbox"/> <input type="checkbox"/> <input type="checkbox"/>	_____
54-Month	____ / ____ / ____	A B C D <input type="checkbox"/> <input type="checkbox"/> <input type="checkbox"/> <input type="checkbox"/>	_____
5-Year	____ / ____ / ____	A B C D <input type="checkbox"/> <input type="checkbox"/> <input type="checkbox"/> <input type="checkbox"/>	_____



EQUIPMENT CORPORATION

101 Belmont Drive, Somerset, N.J. 08873
(732)469-5000 Toll Free(800)223-1192 Fax(732)469-9430

9803MA