

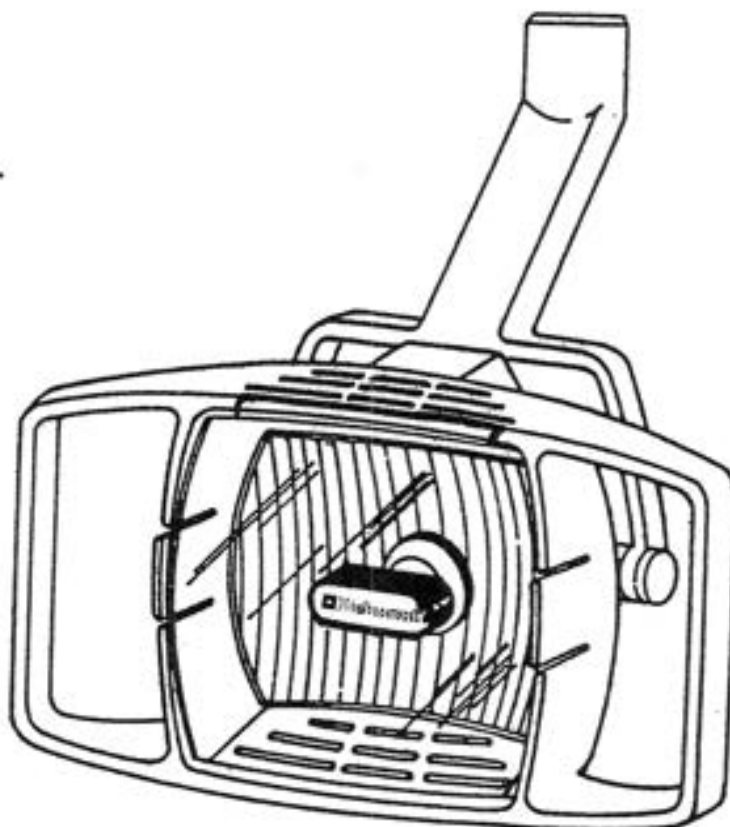


X-CALIBUR DENTAL LIGHT

046 / 047 / 048

BLU / BLW / BLC / BLT / BLPW

TRACK MOUNT
CEILING MOUNT
UNIT MOUNT
WALL MOUNT
CABINET MOUNT



PARTS



BELMONT EQUIPMENT CORPORATION

101 Belmont Drive, Somerset, NJ 08873

(732) 469-5000 Fax (800) 280-7504

Toll Free (800) 223-1192

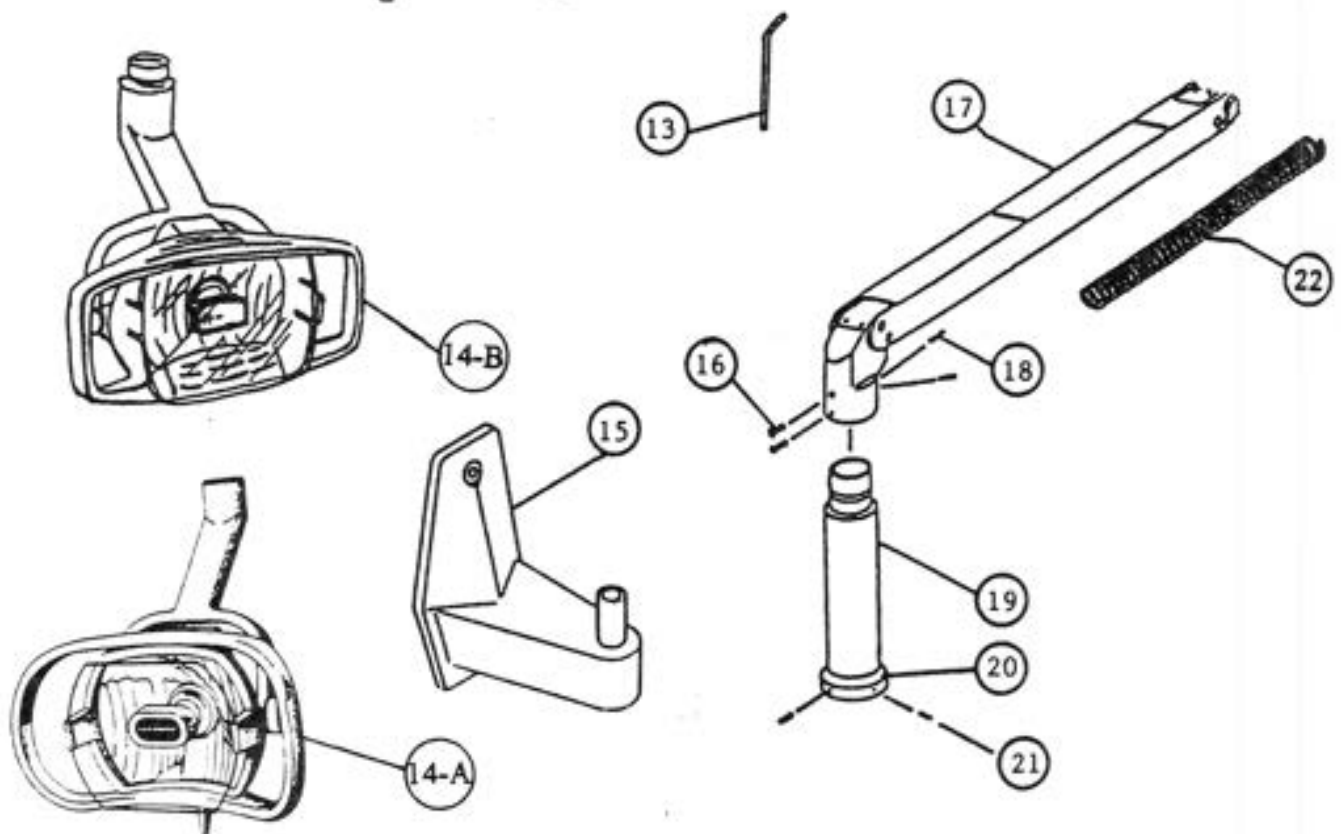
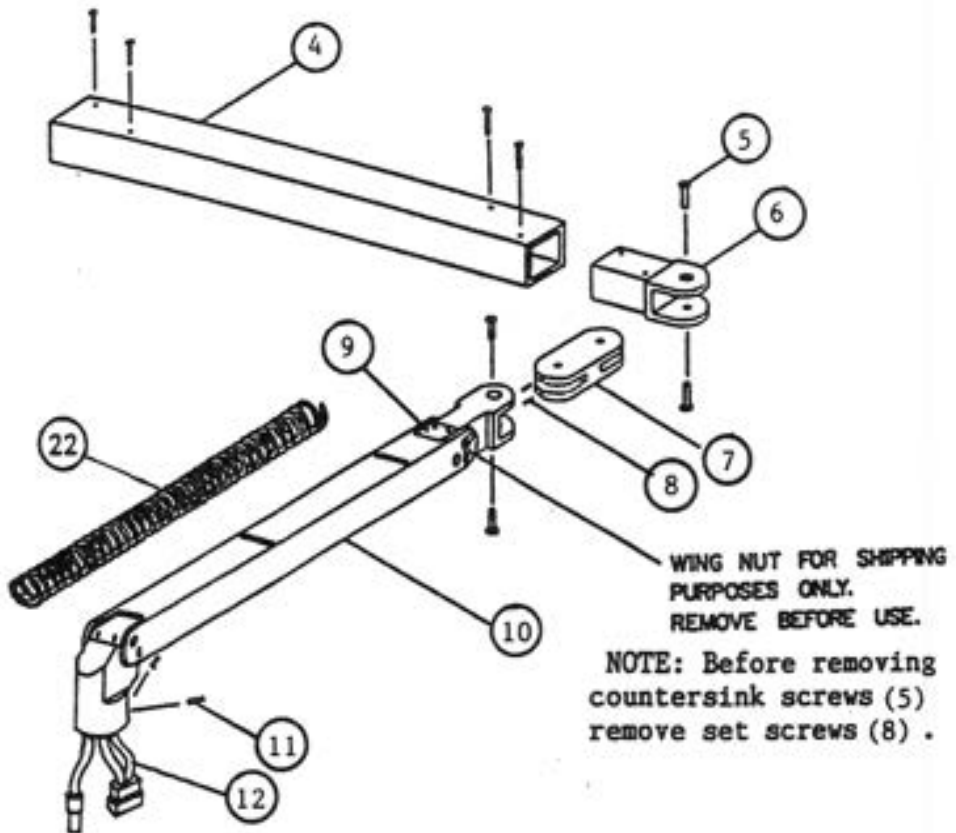
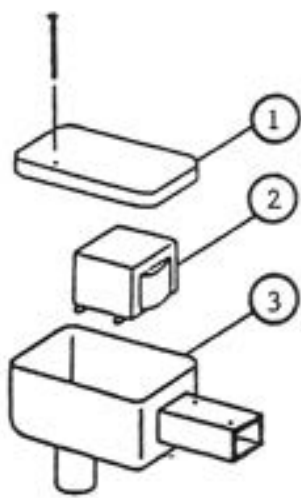
MODELS, PRICES, AND SPECIFICATIONS ARE SUBJECT TO CHANGE WITHOUT NOTICE

046 & BLU & BLW / UNIT & WALL MOUNT

INDEX NO.	PART NO.	DESCRIPTION
1	HLU 0010 N/G/P/W	HOUSING COVER FOR TRANSFORMER
2	HLU 0015	TRANSFORMER (115V)
3	HLU 0020 N/G/P/W	TRANSFORMER HOUSING
4	HLU 0030 N/G/P/W	SWIVEL ARM FOR 046 & HLU
	HLU 0031 N/G/P/W	SWIVEL ARM FOR HLC & HLW
5	HLU 0070	COUNTER SINK SCREW
6	HLU 0040 N/G/P/W	SWIVEL ARM KNUCKLE FOR 046 & HLU
	HLU 0041 N/G/P/W	SWIVEL ARM KNUCKLE FOR HLC & HLW
7	HLU 0050 N/G/P/W	H-SHAPED CASTING
8	HLU 0090	SET SCREW (4 X 5 mm)
9	HLU 0063	YOKE JOINT COVER
10	HLU 0060 N/G/P/W	BALANCE ARM ASSEMBLY FOR 046 & HLU
11	HLU 0080	SET SCREW (5 X 8 mm)
12	HLU 1130	WIRE HARNESS IN BALANCE ARM F/046, HLU, HLW
13	HLU 1060	ADJUSTING WRENCH
14-A	746 2040W	HEAD ASSEMBLY FOR 046 (RAL OFF WHITE)
14-B	HLU 2040 N/G/W	HEAD ASSEMBLY FOR HLU & HLW
15	HLU 0100 N/G/P/W	WALL MOUNT BRACKET W/BOLTS FOR HLW
16	HLU 0064 N/G/P/W	STOP SCREW (4 X 8 mm)
17	HLU 0061 N/G/P/W	BALANCE ARM ASSEMBLY FOR HLW
18	HLU 0080	SET SCREW (5 X 8 mm)
19	HLU 0190 N/G/P/W	HEAD SUSPENSION TUBE FOR HLW
20	HLU 0195	COLLAR FOR HEAD SUSPENSION TUBE
21	HLU 0196	SET SCREW
22	HLU 0197	SPRING FOR BALANCE ARM F/046, HLU, HLW

*** NOTE : N (BEIGE) G (GREY) P (RAL OFF WHITE) W (WHITE) B (BLACK) ***

UNIT & WALL MOUNT TYPE BLU BLW

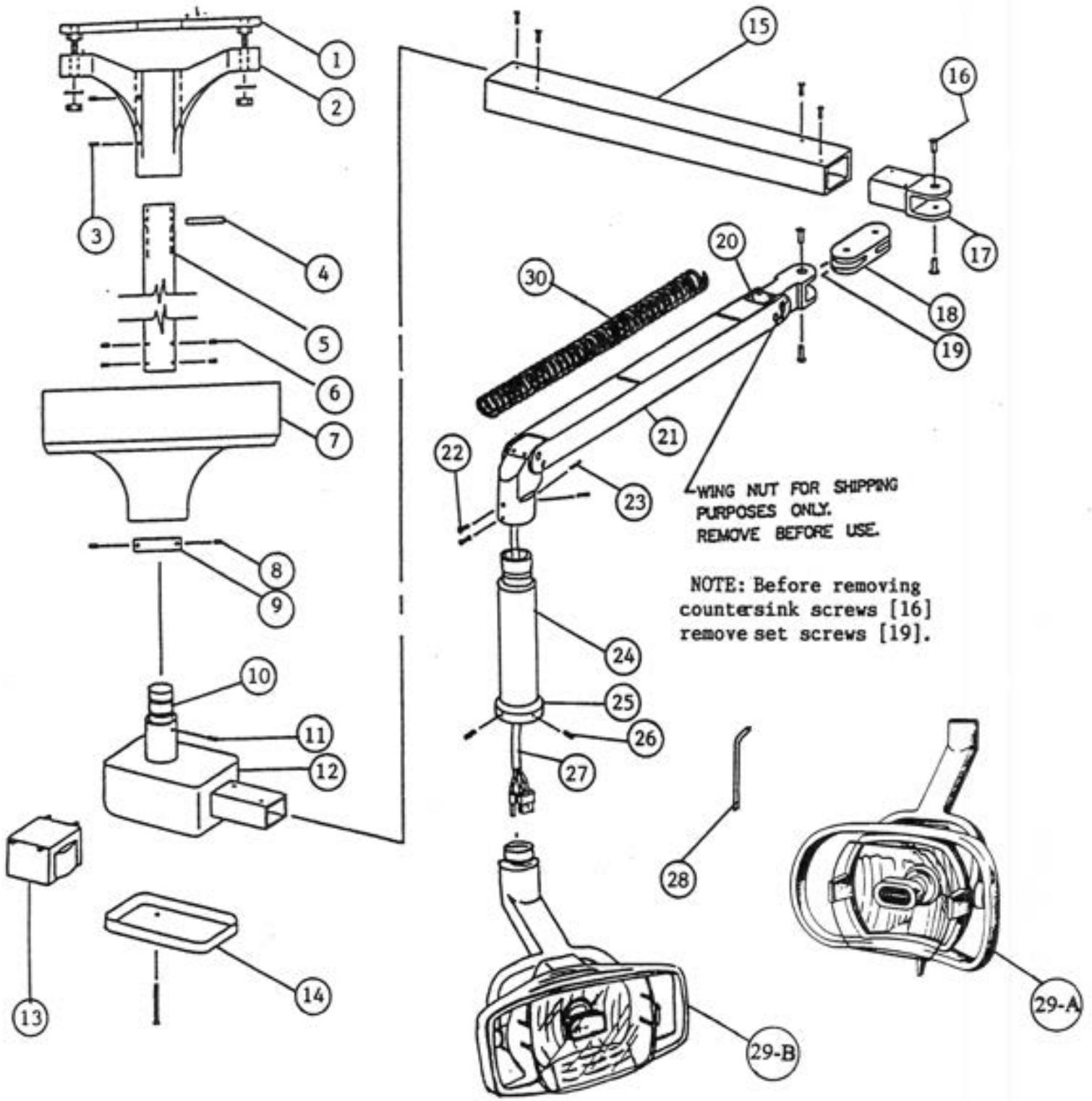


047 & BLC / CEILING MOUNT

INDEX NO.	PART NO.	DESCRIPTION
1	HLU 0130	MOUNTING PLATE
2	HLU 0140	CEILING FLANGE
3	HLU 0146	SET SCREW
4	HLU 0116	ROLL PIN FOR SUSPENSION TUBE
5	HLU 0110 N/G/P/W	SUSPENSION TUBE FOR 8 FT.
	HLU 0111 N/G/P/W	SUSPENSION TUBE FOR 9 FT.
	HLU 0112 N/G/P/W	SUSPENSION TUBE FOR 10 FT.
6	HLU 0115	SET SCREW
7	HLU 0120 N/G/P/W	CEILING FLANGE COVER
8	HLU 0126	SET SCREW
9	HLU 0125	STOPPER RING FOR CEILING COVER
10	HLU 0025	JOINT FOR TRANSFORMER HOUSING
11	HLU 0026	SET SCREW
12	HLU 0021 N/G/P/W	TRANSFORMER HOUSING FOR 047 & HLC
13	HLU 0015	TRANSFORMER (115V)
14	HLU 0010 N/G/P/W	TRANSFORMER HOUSING COVER
15	HLU 0031 N/G/P/W	SWIVEL ARM FOR 047 & HLC
16	HLU 0070	COUNTER SINK SCREW
17	HLU 0041 N/G/P/W	SWIVEL ARM KNUCKLE FOR 047 & HLC
18	HLU 0050 N/G/P/W	H-SHAPED CASTING
19	HLU 0090	SET SCREW (4 X 5 mm)
20	HLU 0063	YOKE JOINT COVER
21	HLU 0061 N/G/P/W	BALANCE ARM ASSEMBLY FOR 047 & HLC
22	HLU 0064	STOP SCREW (4 X 8 mm)
23	HLU 0080	SET SCREW (5 X 8 mm)
24	HLU 0190 N/G/P/W	HEAD SUSPENSION TUBE
25	HLU 0195	COLLAR FOR HEAD SUSPENSION TUBE
26	HLU 0196	SET SCREW
27	HLU 1130	WIRE HARNESS IN BALANCE ARM FOR 047 & HLC
28	HLU 1060	ADJUSTING WRENCH
29-A	746 2040W	HEAD ASSEMBLY FOR 047 (RAL OFF WHITE)
29-B	HLU 2040 N/G/W	HEAD ASSEMBLY FOR HLC
30	HLU 0197	SPRING FOR BALANCE ARM F/047 & HLC

*** NOTE : N (BEIGE) G (GREY) P (RAL OFF WHITE) W (WHITE) ***

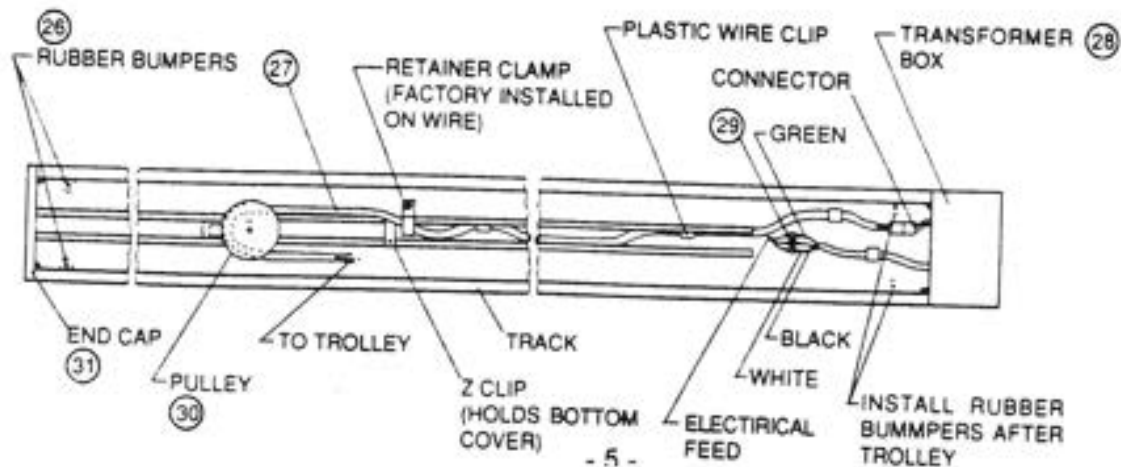
CEILING MOUNT TYPE BLC



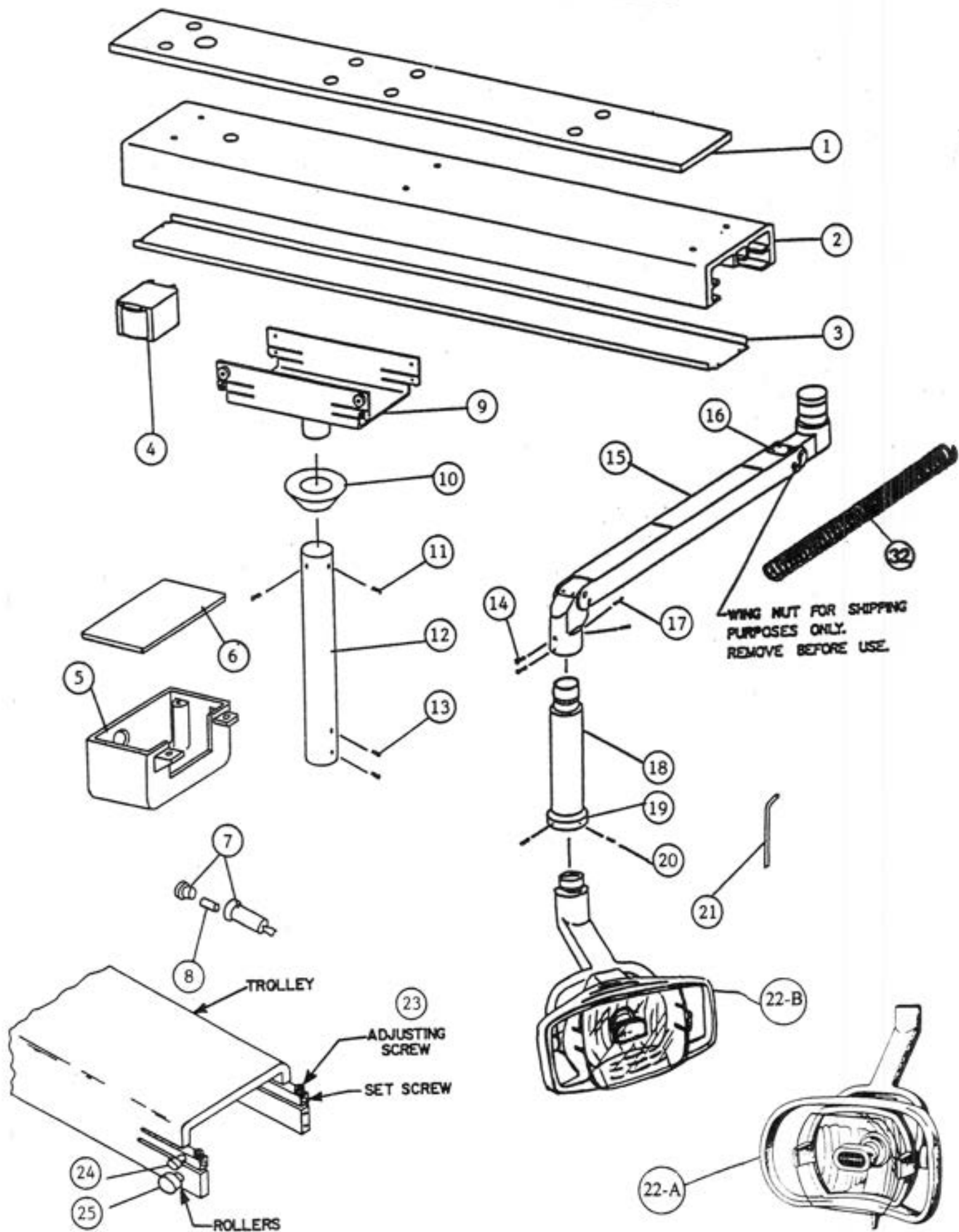
048 & BLT / TRACK MOUNT

INDEX NO.	PART NO.	DESCRIPTION
1	HLU 1100	PALLET
2	HLU 1110 N/G/P/W	TRACK
3	HLU 1120 N/G/P/W	BOTTOM COVER
4	HLU 0015	TRANSFORMER
5	HLU 1090 N/G/P/W	TRANSFORMER HOUSING
6	HLU 1095	BOTTOM PLATE FOR TRANSFORMER
7	HLU 0200	FUSE HOLDER
8	HLU 0205	FUSE (1A)
9	HLU 1080 N/G/P/W	TROLLEY ASSEMBLY
10	HLU 0180	COLLAR (BLACK)
11	HLU 0156	SET SCREW
12	HLU 0150 N/G/P/W	SUSPENSION TUBE FOR 8 FT.
	HLU 0151 N/G/P/W	SUSPENSION TUBE FOR 9 FT.
13	HLU 0115	SET SCREW
14	HLU 0064	STOP SCREW
15	HLU 0062 N/G/P/W	BALANCE ARM ASSEMBLY FOR 048 & HLT
16	HLU 0063	YOKE JOINT COVER
17	HLU 0080	SET SCREW
18	HLU 0190 N/G/P/W	HEAD SUSPENSION TUBE
19	HLU 0195	COLLAR FOR HEAD SUSPENSION TUBE
20	HLU 0196	SET SCREW
21	HLU 1060	ADJUSTING WRENCH
22-A	746 2040W	HEAD ASSEMBLY FOR 048 (RAL OFF WHITE)
22-B	HLU 2040 N/G/W	HEAD ASSEMBLY FOR HLT
23	HLU 0166 N/G/P/W	ADJUSTING SCREW
24	HLU 0165	ROLLER (LOWER)
25	HLU 0160	ROLLER (UPPER)
26	HLU 1115	RUBBER BUMPER
27	HLU 1140	WIRE HARNESS FOR 048 & HLT (TRACK SIDE)
	HLU 1141	WIRE HARNESS FOR 048 & HLT (ARM SIDE)
28	HLU 0210 N/G/P/W	TRANSFORMER BOX ASSEMBLY
29	HLU 0220	TERMINAL BLOCK (3P)
30	HLU 0170	PULLEY ASSEMBLY
31	HLU 1070 N/G/P/W	END CAP
32	HLU 0197	SPRING FOR BALANCE ARM F/048 & HLT

*** NOTE : N (BEIGE) G (GREY) P (RAL OFF WHITE) W (WHITE) ***



TRACK MOUNT TYPE BLT

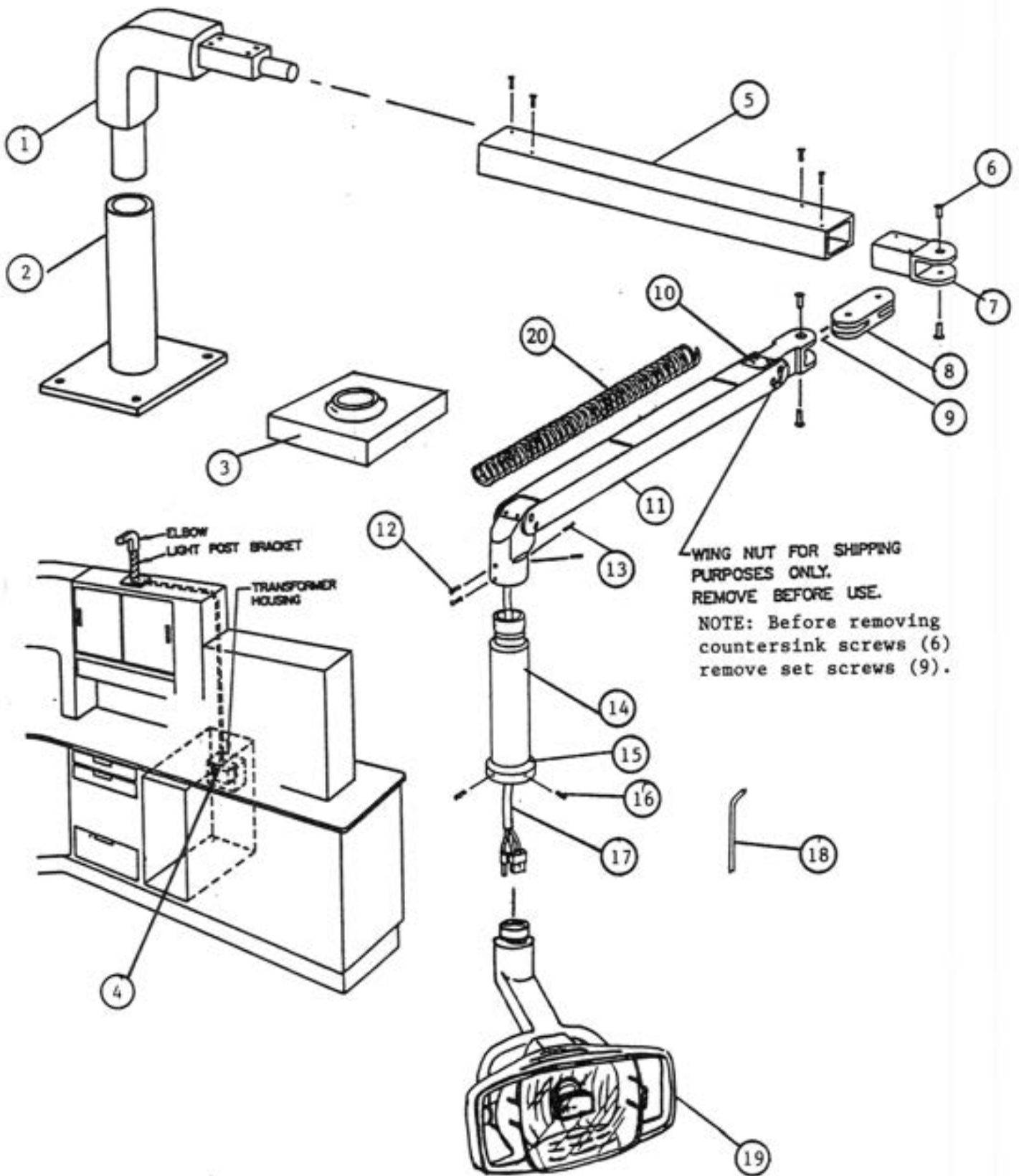


BLPW / CABINET MOUNT

INDEX NO.	PART NO.	DESCRIPTION
1	HLU 0300 N/G/P/W	ELBOW
2	HLU 0310 N/G/P/W	LIGHT POST BRACKET
3	HLU 0320 N/G/P/W	LIGHT POST COVER
4	HLU 0015	TRANSFORMER
5	HLU 0032 N/G/P/W	SWIVEL ARM FOR HLPW
6	HLU 0070	COUNTER SINK SCREW
7	HLU 0041 N/G/P/W	SWIVEL ARM KNUCKLE FOR HLPW
8	HLU 0050 N/G/P/W	H-SHAPED CASTING
9	HLU 0090	SET SCREW (4 X 5 mm)
10	HLU 0063	YOKE JOINT COVER
11	HLU 0061 N/G/P/W	BALANCE ARM ASSEMBLY FOR HLPW
12	HLU 0064	STOP SCREW (4 X 8 mm)
13	HLU 0080	SET SCREW (5 X 8 mm)
14	HLU 0190 N/G/P/W	HEAD SUSPENSION TUBE
15	HLU 0195	COLLAR FOR HEAD SUSPENSION TUBE
16	HLU 0196	SET SCREW
17	HLU 0350	WIRE HARNESS IN BALANCE ARM FOR HLPW
18	HLU 1060	ADJUSTING WRENCH
19	HLU 2040 N/G/W	HEAD ASSEMBLY
20	HLU 0197	SPRING FOR BALANCE ARM F/HLPW

*** NOTE : N (BEIGE) G (GREY) P (RAL OFF WHITE) W (WHITE) ***

CABINET MOUNT TYPE BLPW



046/047/048/HLU/HLW/HLC/HLT/HLPW LIGHT HEAD

INDEX NO.	PART NO.	DESCRIPTION
1	HLU 2005	FRONT SHIELD FOR HLU
2	HLU 2001G	HANDLE F/ HLU, HLW, HLC, HLT, HLPW (GREY)
	HLU 2001N	HANDLE F/ HLU, HLW, HLC, HLT, HLPW (BEIGE)
	HLU 2001W	HANDLE F/ HLU, HLW, HLC, HLT, HLPW (WHITE)
3	HLU 2002 N/G/P/W/B	YOKE
4	HLU 2003 N/G/P/W/B	FRAME
5	HLU 2008 N/G/P/W/B	YOKE COVER
6	HLU 2007 N/G/P/W/B	FRAME BACK COVER
7	HLU 1054	YOKE WIRE HARNESS
8	8000 1001	POWER SWITCH
9	HLU 2107	JOINT BOLT
10	HLU 2109	FLAT WASHER
11	HLU 2020	WAVE WASHER
12	HLU 2021	NUT FOR JOINT BOLT
13	HLU 2022 N/G/P/W/B	YOKE SIDE CAP
14	8000 2023	SPRING CLIP WITH HOLDER
15	8000 1006	HALOGEN LAMP
16	HLU 2026	GROUND WIRE
17	HLU 2025	LAMP SOCKET
18	HLU 2010	SOCKET HOUSING
19	HLU 2011	RUBBER WASHER
20	HLU 2009	REFLECTOR
21	HLU 2012	NUT
22	HLU 2006	GLARE STOP
23	HLU 1057	WIRE SWITCH TO BULB
24	HLU 2004	SCREW FOR FRAME BACK COVER
25	8000 2005	FRONT SHIELD FOR 046, 047, 048
26	8000 2004	GUARD FOR 046, 047, 048
27	8000 2001W	HANDLE FOR 046, 047, 048 (RAL OFF WHITE)
28	HLU 2054	RUBBER SHEEL FOR YOKE
29	8000 2027	SOCKET HOLDER

*** NOTE : N (BEIGE) G (GREY) P (RAL OFF WHITE) W (WHITE) B (BLACK) ***

LIGHT ASSEMBLY EXPLODED VIEW

